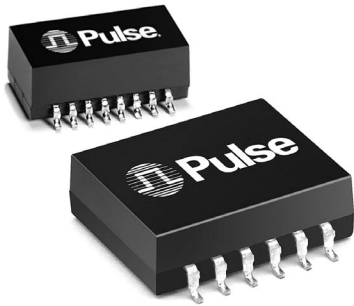


# 10/100BASE-TX SINGLE-PORT TRANSFORMER MODULES

Military / Aerospace Grade



- ✔ Compliant with IEEE 802.3u & ANSI X3.263 standards
- ✔ 350μH OCL with 8mA bias
- ✔ Operating and storage temperature:  
**100B-1001 & 100B-1003: -40°C to +85°C**  
**100B-1001X & 100B-1003X: -55°C to +125°C**
- ✔ IC grade transfer-molded package withstands 235°C peak temperature profile. RoHS version withstands 245°C
- ✔ AS9100 Certified (Based on and including ISO 9001:2000)

## Electrical Specifications @ 25°C

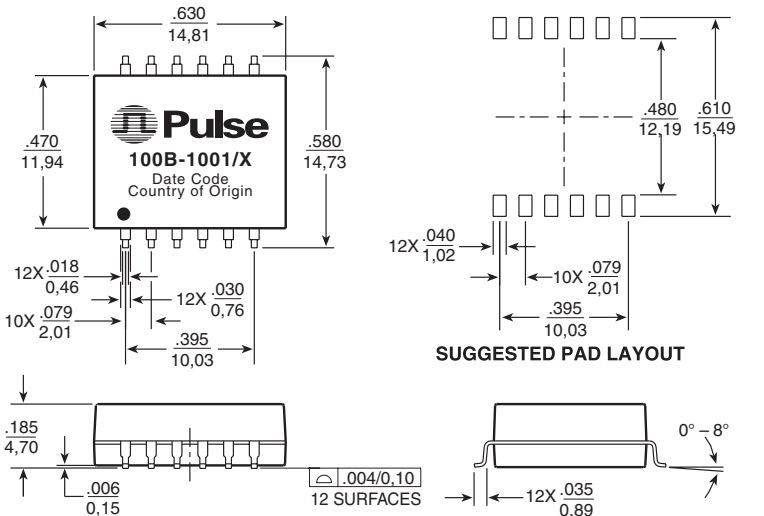
Part Number <sup>1</sup>	Insertion Loss (dB MIN)	Return Loss (dB MAX)					Crosstalk (dB MAX)				DM to CM Rejection Ratio (dB MAX)		
		0.1-100 MHz	2-30 MHz	50 MHz	60 MHz	80 MHz	16 MHz	30 MHz	60 MHz	80 MHz	0.1-30 MHz	30-60 MHz	60-100 MHz
100B-1001	-1.00	-18	-14	-12	-12	-48	-44	-40	-38	TX: -50 RX: -50	TX: -40 RX: -40	TX: -30 RX: -30	
100B-1001X	-1.10	-18	-14	-12	-10	-48	-44	-40	-38	TX: -45 RX: -45	TX: -40 RX: -40	TX: -38 RX: -33	
100B-1003	-1.00	-20	-14	-14	-12	-48	-45	-40	-38	TX: -50 RX: -50	TX: -40 RX: -40	TX: -35 RX: -35	
100B-1003X	-1.00	-20	-14	-14	-12	-48	-45	-40	-38	TX: -45 RX: -35	TX: -40 RX: -35	TX: -35 RX: -35	

NOTE: 1. Add suffix NL for RoHS compliant version; i.e. 100B-1001 becomes 100B-1001NL

## Mechanical

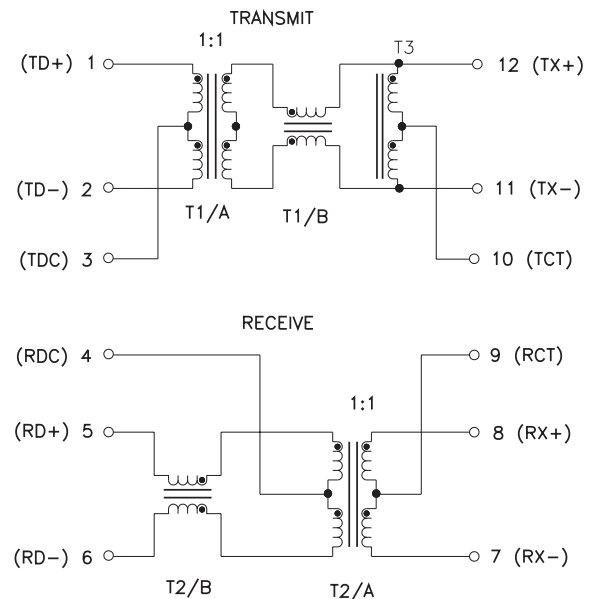
## Schematic

### 100B-1001/X



Weight ..... 1.7 grams  
 Tape and Reel ..... 350/reel  
 Tray ..... 30/tray

Dimensions: Inches  
 mm  
 Unless otherwise specified, all tolerances are ± .010 / 0.25



USA 215 781 6400 • Germany 49 7032 7806 0 • Singapore 65 6287 8998 • Shanghai 86 21 32181071 • China 86 755 33966678 • Taiwan 886 3 4643715

# 10/100BASE-TX SINGLE-PORT TRANSFORMER MODULES

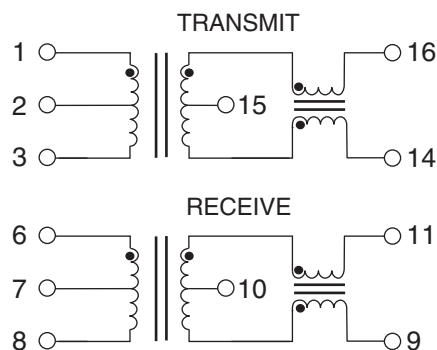
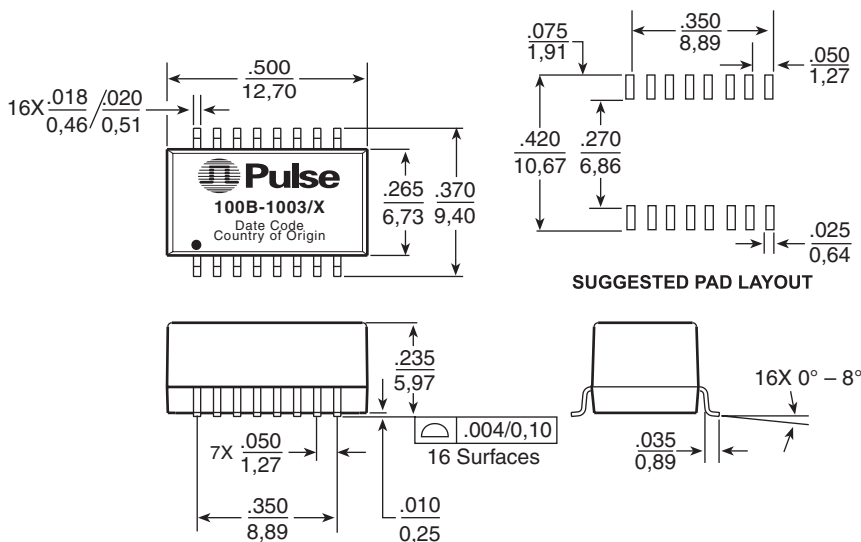
## Military / Aerospace Grade



### Mechanical

### Schematic

#### 100B-1003/X



Weight . . . . . 1.16 grams      Dimensions:  $\frac{\text{Inches}}{\text{mm}}$   
 Tape and Reel . . . . . 600/reel      Unless otherwise specified, all tolerances are  $\pm \frac{.010}{0,25}$

### For More Information:

#### Pulse Worldwide Headquarters

Two Pearl Buck Court  
 Bristol, PA 19007  
 U.S.A.

[www.pulseeng.com](http://www.pulseeng.com)

Tel: 215 781 6400

Fax: 215 781 6403

#### Pulse Europe

Zeppelinstrasse 15  
 D-71083 Herrenberg  
 Germany

Tel: 49 7032 7806 0

Fax: 49 7032 7806 135

#### Pulse China Headquarters

B402, Shenzhen Academy of  
 Aerospace Technology Bldg.  
 10th Kejinan Rd.  
 High-Tech Zone  
 Nanshan District  
 Shenzhen, PR China 518057

Tel: 86 755 33966678

Fax: 86 755 33966700

#### Pulse North China

Room 2704/2705  
 Super Ocean Finance Ctr.  
 2067 Yan An Rd. West  
 Shanghai 200336  
 China

Tel: 86 21 62787060

Fax: 86 2162786973

#### Pulse South Asia

135 Joo Seng Rd.  
 #03-02  
 PM Industrial Bldg.  
 Singapore 368363

Tel: 65 6287 8998

Fax: 65 6287 8998

#### Pulse North Asia

3F, No. 198  
 Zhongyuan Rd.  
 Zhongli City  
 Taoyuan County 320  
 Taiwan R. O. C.

Tel: 886 3 4356768

Fax: 886 3 4356823 (Pulse)

Fax: 886 3 4356820 (FRE)

Performance warranty of products offered on this data sheet is limited to the parameters specified. Data is subject to change without notice. Other brand and product names mentioned herein may be trademarks or registered trademarks of their respective owners. © Copyright, 2009. Pulse Engineering, Inc. All rights reserved.