

- Transformer turns ratio RX 1CT : 1CT and TX 2CT : 1CT
- Single-port modules available with and without common mode chokes
- Conforms to IEEE 802.3 standards
- Low profile, surface mount packaging rated to 225° C peak IR reflow temperature
- Operating temperature 0° to 70° C
- Minimum interwinding breakdown voltage of 1500 Vrms

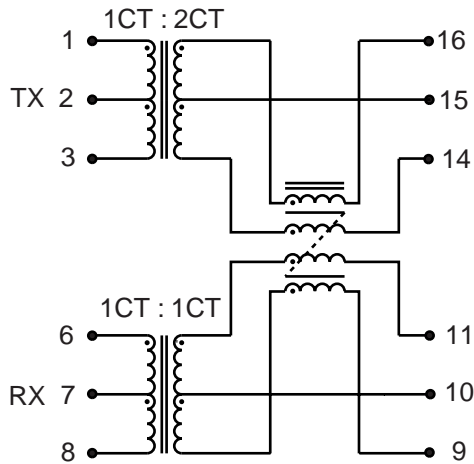
### ELECTRICAL SPECIFICATIONS AT 25° C

Part Number	Insertion Loss dB max	OCL µH min		Return Loss dB min		Common to Common Mode Rejection dB min		Crosstalk dB min
	1MHz to 10MHz	TX	RX	1MHz to 10MHz	5MHz to 10MHz	10MHz to 30MHz	100MHz	1MHz to 10MHz
<b>Transformers Only</b>								
S553-1084-01	-1.0	80	80	-18	---	---	---	-40
S553-1084-11	-1.0	80	80	-18	---	---	---	-40
S553-5999-52	-1.0	28	110	-18	---	---	---	-40
<b>Transformers and Common Mode Chokes</b>								
A553-5999-47	-1.0	50	200	---	-18	-40	-30	-40
S553-5999-86	-1.0	28	110	-18	---	-40	-30	-40
S553-5999-87	-1.0	50	200	---	-18	-40	-30	-40

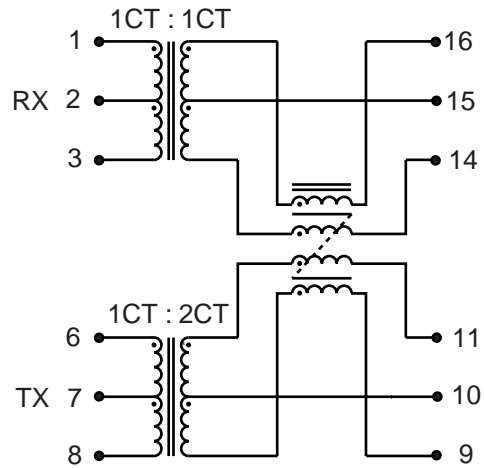
LM00505

### SCHEMATICS

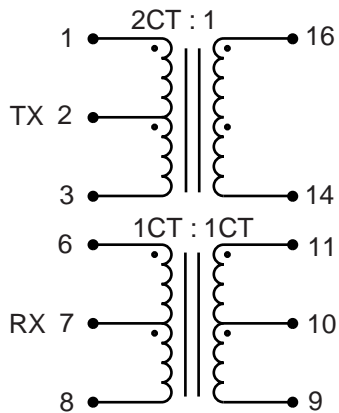
A553-5999-47  
S553-5999-87



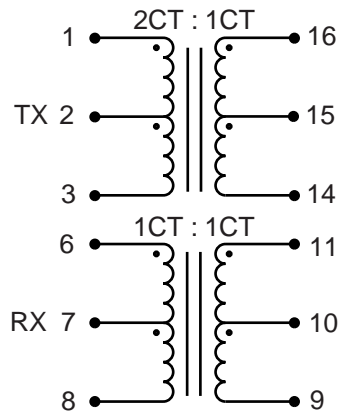
S553-5999-86



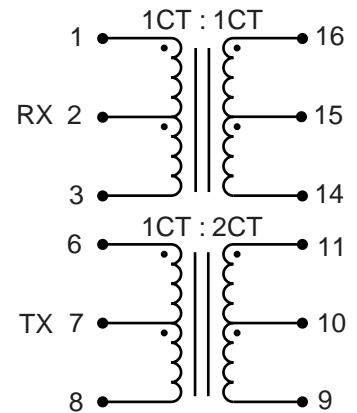
S553-1084-01



S553-1084-11



S553-5999-52



# 10BASE-T LAN MAGNETICS

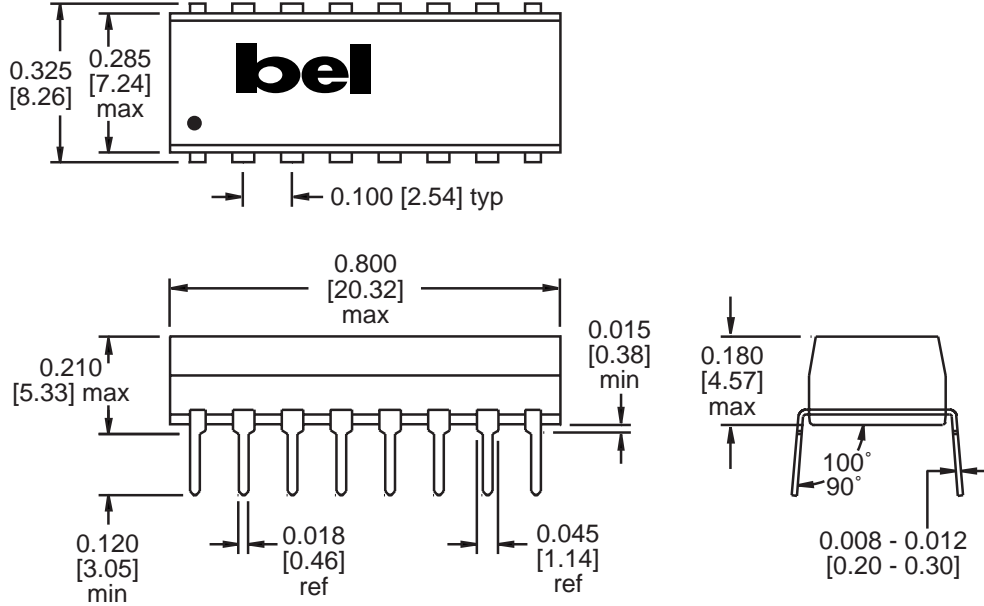
## Single Port Transformer Modules



LM00505

### MECHANICALS

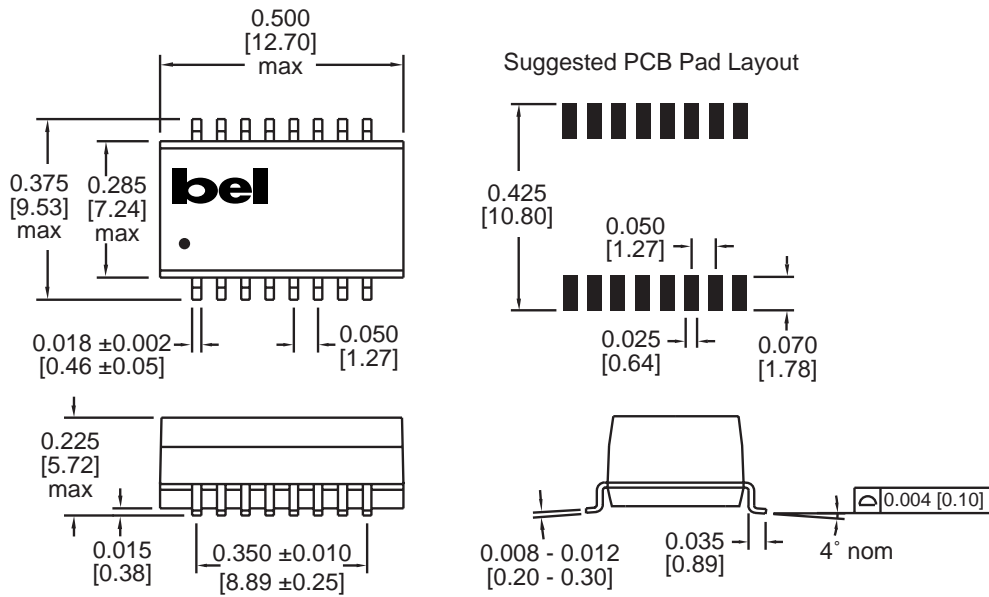
A553-5999-47



Dimensions are in inches [millimeters].

Standard dimension tolerance is  $\pm 0.005$  [0.13] unless otherwise noted.

S553-1084-01  
S553-1084-11  
S553-5999-52  
S553-5999-86  
S553-5999-87



Dimensions are in inches [millimeters].

Standard dimension tolerance is  $\pm 0.005$  [0.13] unless otherwise noted.

©2007 Bel Fuse Inc. Specifications subject to change without notice. 11.07

Bel Fuse Inc. 206 Van Vorst Street, Jersey City, NJ 07302 • Tel 201-432-0463 • Fax 201-432-9542 • www.belfuse.com