

HIGH FREQUENCY MAGNETICS

T1/CEPT Dual Line Interface Transformers

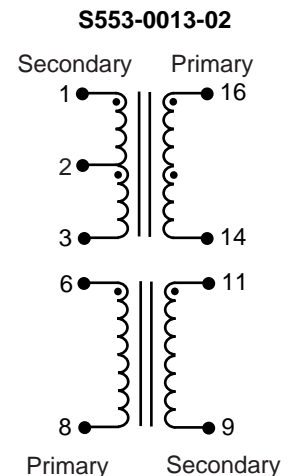
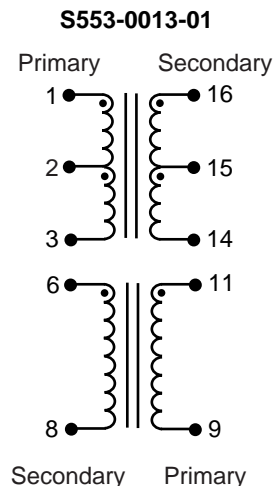
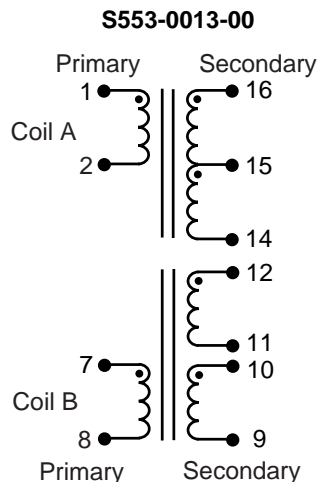
TM00130

- Designed to meet the stringent demands of high density designs
- Low height profile
- Minimum interwinding breakdown voltage of 1500 Vrms
- Reference data sheet TM9906 for additional dual surface mount transformers

ELECTRICAL SPECIFICATIONS at 25° C

Part Number	Turns Ratio ±5%		Primary Inductance mH min	Leakage Inductance µH max	Interwinding Capacitance pF max	DCR Primary Ω max	
	Coil A	Coil B	Coil A & B	Coil A / Coil B	Coil A & B	Coil A	Coil B
S553-0013-00	1 : 1.385 CT	1 : 1 : 1	1.20	0.80 / 0.50	35	0.80	0.80
S553-0013-01	1 CT : 2 CT	1 : 1	1.20	0.80 / 0.50	35	0.80	0.80
S553-0013-02	1 : 2CT	1 : 1.36	1.20	0.80 / 0.80	35	0.80	0.80
S553-0013-03	1 : 2 CT	1 : 2 CT	1.20	0.80 / 0.80	35	0.80	0.80
S553-0013-06	1 : 1.15 CT	1 : 2 CT	1.20	0.50 / 0.80	35	0.80	0.80
S553-0013-07	1 : 1 / 1 : 1.26	1 : 2 CT	1.20	0.80 / 0.80	35	0.80	0.80
S553-0013-22	1 : 1 / 1 : 1.26	1CT : 2 CT	1.20	0.60 / 0.60	30	0.70	0.70

SCHEMATICS

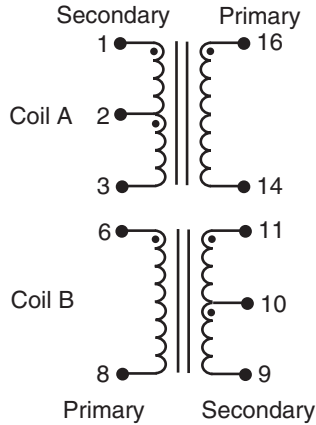


©2002 Bel Fuse Inc. Specifications subject to change without notice. 05.02

TM00130

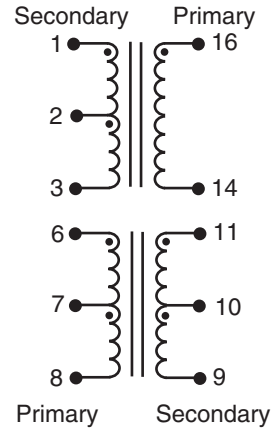
SCHEMATICS

S553-0013-03
S553-0013-06
S553-0013-07*



*S553-0013 -07 1 : 1 (14 - 16) : (1 - 2)
*S553-0013 -07 1 : 1.26 (14 - 16) : (2 - 3)

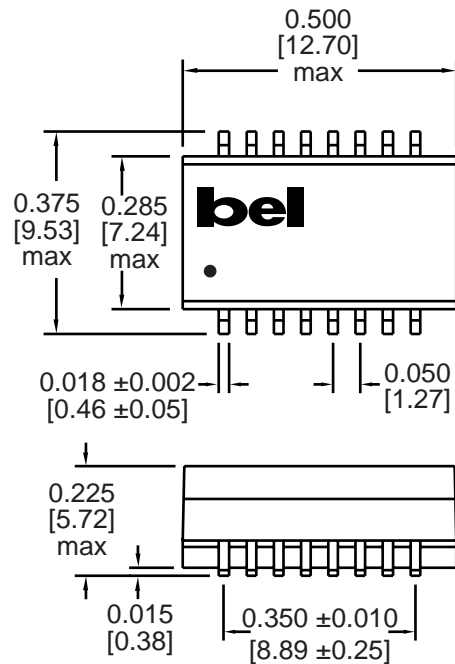
S553-0013-22



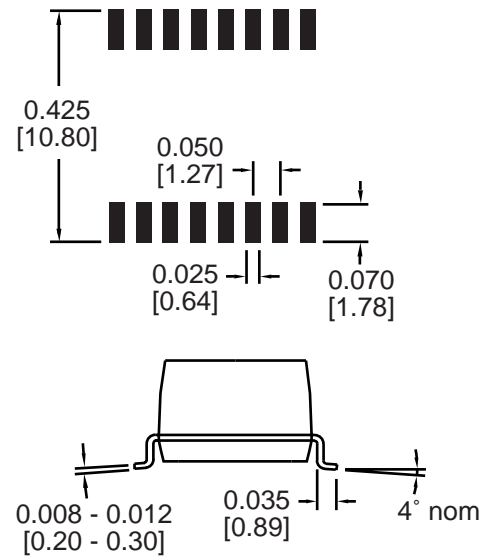
1 : 1 (14 - 16) : (2 - 3)
1 : 1.26 (14 - 16) : (1 - 3)

MECHANICAL

S553-0013-00
S553-0013-01
S553-0013-02
S553-0013-03
S553-0013-06
S553-0013-07
S553-0013-22



Suggested PCB Pad Layout



Dimensions are in inches [millimeters].

Standard dimension tolerance is ±0.010 [0.25] unless otherwise noted.

©2002 Bel Fuse Inc. Specifications subject to change without notice. 05.02

CORPORATE

Bel Fuse Inc.
206 Van Vorst Street
Jersey City, NJ 07302
Tel 201-432-0463
Fax 201-432-9542
www.belfuse.com

FAR EAST

Bel Fuse Ltd.
8F / 8 Luk Hop Street
San Po Kong
Kowloon, Hong Kong
Tel 852-2328-5515
Fax 852-2352-3706
www.belfuse.com

EUROPE

Bel Fuse Europe Ltd.
Preston Technology Management Centre
Marsh Lane, Suite G7, Preston
Lancashire, PR1 8UD, U.K.
Tel 44-1772-556601
Fax 44-1772-888366
www.belfuse.com

T1-68