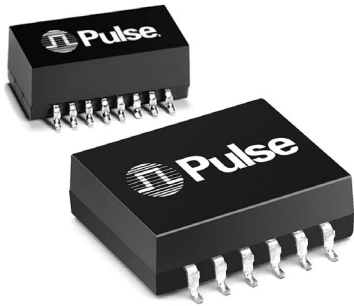


10/100BASE-TX SINGLE-PORT TRANSFORMER MODULES

Military / Aerospace Grade



- Compliant with IEEE 802.3u & ANSI X3.263 standards
- 350µH OCL with 8mA bias
- Operating and storage temperature:
100B-1001 & 100B-1003: -40°C to +85°C
100B-1001X & 100B-1003X: -55°C to +125°C
- IC grade transfer-molded package withstands 235°C peak temperature profile. RoHS version withstands 245°C
- AS9100 Certified (Based on and including ISO 9001:2000)

Electrical Specifications @ 25°C

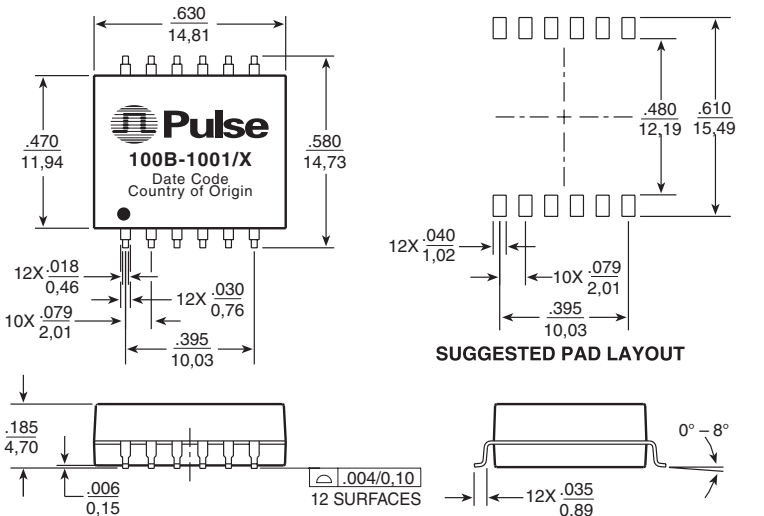
Part Number ¹	Insertion Loss (dB MIN)	Return Loss (dB MAX)					Crosstalk (dB MAX)				DM to CM Rejection Ratio (dB MAX)		
		0.1-100 MHz	2-30 MHz	50 MHz	60 MHz	80 MHz	16 MHz	30 MHz	60 MHz	80 MHz	0.1-30 MHz	30-60 MHz	60-100 MHz
100B-1001	-1.00	-18	-14	-12	-12	-48	-44	-40	-38	TX: -50 RX: -50	TX: -40 RX: -40	TX: -30 RX: -30	
100B-1001X	-1.10	-18	-14	-12	-10	-48	-44	-40	-38	TX: -45 RX: -45	TX: -40 RX: -40	TX: -38 RX: -33	
100B-1003	-1.00	-20	-14	-14	-12	-48	-45	-40	-38	TX: -50 RX: -50	TX: -40 RX: -40	TX: -35 RX: -35	
100B-1003X	-1.00	-20	-14	-14	-12	-48	-45	-40	-38	TX: -45 RX: -35	TX: -40 RX: -35	TX: -35 RX: -35	

NOTE: 1. Add suffix NL for RoHS compliant version; i.e. 100B-1001 becomes 100B-1001NL

Mechanical

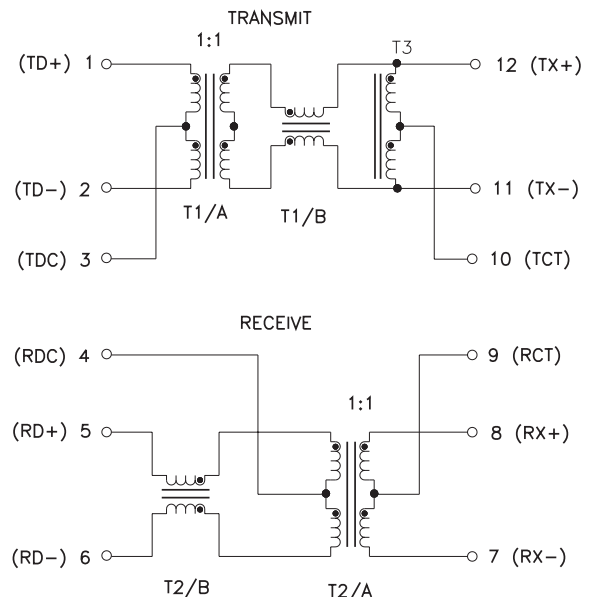
Schematic

100B-1001/X



Weight 1.7 grams
 Tape and Reel 350/reel
 Tray 30/tray

Dimensions: Inches
 mm
 Unless otherwise specified, all tolerances are ± .010 / 0.25



USA 215 781 6400 • Germany 49 7032 7806 0 • Singapore 65 6287 8998 • Shanghai 86 21 32181071 • China 86 755 33966678 • Taiwan 886 3 4643715

10/100BASE-TX SINGLE-PORT TRANSFORMER MODULES

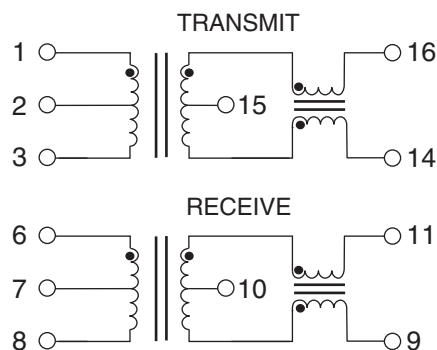
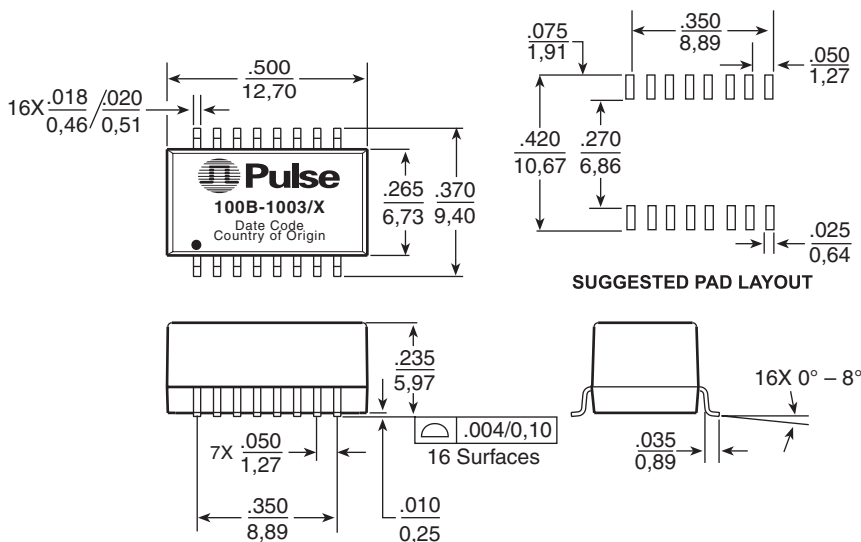
Military / Aerospace Grade



Mechanical

Schematic

100B-1003/X



Weight 1.16 grams
 Tape and Reel 600/reel

Dimensions: $\frac{\text{Inches}}{\text{mm}}$
 Unless otherwise specified, all tolerances are $\pm \frac{.010}{0,25}$

For More Information:

Pulse Worldwide Headquarters	Pulse Europe	Pulse China Headquarters	Pulse North China	Pulse South Asia	Pulse North Asia
Two Pearl Buck Court Bristol, PA 19007 U.S.A.	Zeppelinstrasse 15 D-71083 Herrenberg Germany	B402, Shenzhen Academy of Aerospace Technology Bldg. 10th Kejinan Rd. High-Tech Zone Nanshan District Shenzhen, PR China 518057	Room 2704/2705 Super Ocean Finance Ctr. 2067 Yan An Rd. West Shanghai 200336 China	135 Joo Seng Rd. #03-02 PM Industrial Bldg. Singapore 368363	3F, No. 198 Zhongyuan Rd. Zhongli City Taoyuan County 320 Taiwan R. O. C. Tel: 886 3 4356768 Fax: 886 3 4356823 (Pulse) Fax: 886 3 4356820 (FRE)
www.pulseeng.com Tel: 215 781 6400 Fax: 215 781 6403	Tel: 49 7032 7806 0 Fax: 49 7032 7806 135	Tel: 86 755 33966678 Fax: 86 755 33966700	Tel: 86 21 62787060 Fax: 86 2162786973	Tel: 65 6287 8998 Fax: 65 6287 8998	

Performance warranty of products offered on this data sheet is limited to the parameters specified. Data is subject to change without notice. Other brand and product names mentioned herein may be trademarks or registered trademarks of their respective owners. © Copyright, 2009. Pulse Engineering, Inc. All rights reserved.