

# HIGH FREQUENCY MAGNETICS

## Surface Mount Wideband Signal Splitter

- Surface-mount, equal-ratio 3-port hybrid transformer designed for both analog and digital applications requiring signal splitting or combining
- Extremely wide frequency response
- Very fast rise time
- Operating temperature range -40° C to +85° C
- Meets IEC 695, 2-2 flammability requirements
- PWB Process Capability: standard printed wiring board assembly techniques, total-immersion cleaning
- Reliability testing: shock, vibration, temperature cycling, temperature - humidity - bias
- Tape and reel packaging: 24 mm wide by 16 mm pitch; 13 inch OD, 4 inch ID; 350 transformers per reel, max Meets ANSI/EIA 481-2 Carrier Tape Standards for JEDEC SO package

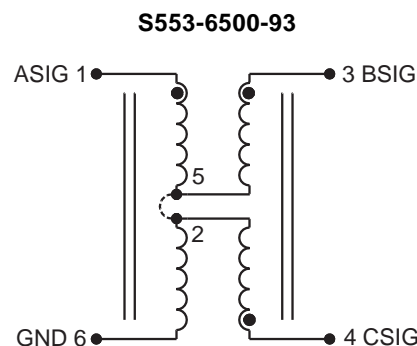
### ELECTRICAL SPECIFICATIONS at 25°C

Part Number	Impedance Ratio	Nominal Signal Split dB	3dB Bandwidth typ	Pulse Rise Time ns typ
	(1-6) : (3-6) + (4-6)	(1-6) to (3-6) (1-6) to (4-6)	(1-6) to (3-6) (1-6) to (4-6)	
S553-6500-93	75Ω : 75Ω + 75Ω	3.0	20 kHz - 800 MHz	0.5

Return Loss (RL) typ			Transhybrid Loss (THL) typ		
Port	RL>20 db	RL>30 db	Port	THL>20 db	THL>30 db
A	100 kHz - 500 MHz	400 kHz - 200 MHz	B to C	100 kHz - 800 MHz	300 kHz - 500 MHz
B	200 kHz - 500 MHz	2 MHz - 300 MHz			
C	200 kHz - 500 MHz	2 MHz - 300 MHz			

Port A = ASIG to GND  
 Port B = BSIG to GND  
 Port C = CSIG to GND

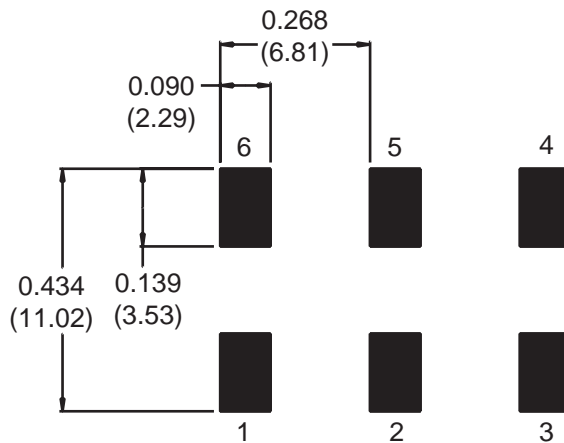
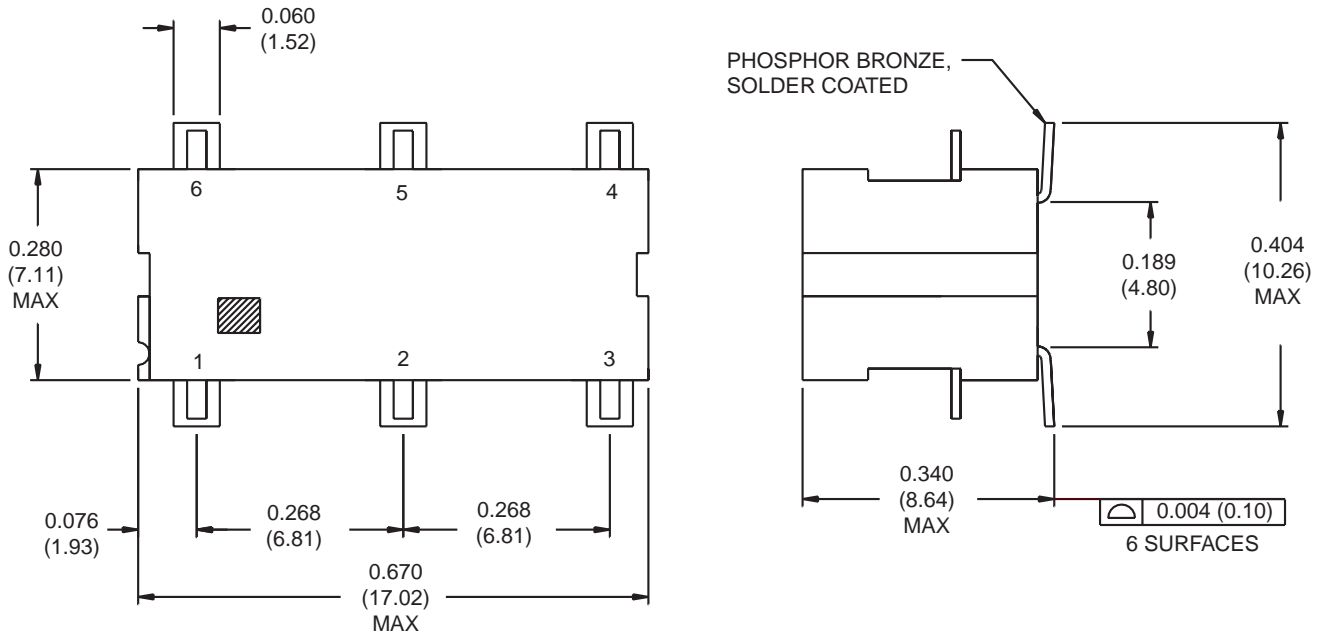
### SCHEMATIC



©2000 Bel Fuse Inc. Specifications subject to change without notice. 09.00

#### MECHANICAL

#### S553-6500-93



SUGGESTED PCB PAD LAYOUT

Unless otherwise specified, dimensions are nominal and in inches (millimeters).

# HIGH FREQUENCY MAGNETICS

## Surface Mount Wideband Signal Splitter



TM00152

### APPLICATIONS NOTES

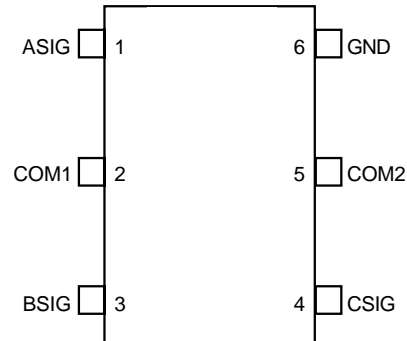
The S553-6500-93 hybrid transformer operates with  $75\Omega$  terminations over an extremely wide frequency spectrum (3 dB response: 20 kHz to 800 MHz).

It can also be used as a pulse transformer with very fast pulses (typical rise time: 0.5 ns). The transformer operates as either a signal splitter or a signal combiner. As a signal splitter, the transformer provides two identical output signals (which are in phase with each other) from a single input. Each of the two output signals is 3 dB down from the input signal (half the power of the input signal). There is a high degree of separation or transhybrid loss between the two output signals. As a signal combiner, the transformer provides a single output signal from two identical input signals (which are in phase with each other). The output signal has twice the power of either input signal.

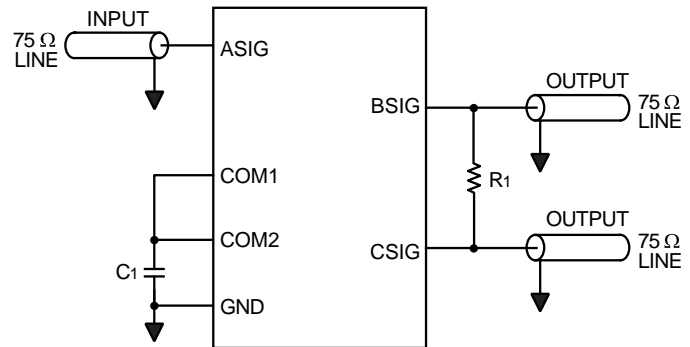
### PIN DESCRIPTIONS AND TERMINATIONS

Pin	Symbol	Name and Function
1	ASIG	A signal. Input for splitter configuration. Output for combiner application.
2	COM1	Common point of transformer 1. Must be connected externally to COM2.
3	BSIG	B signal. Output for splitter configuration. Input for combiner application.
4	CSIG	C signal. Output for splitter configuration. Input for combiner application.
5	COM2	Common point of transformer 2. Must be connected externally to COM1.
6	GND	Ground. Connect to circuit ground.
	R1	$162\Omega$ external resistor.
	C1	7 pF external capacitor.

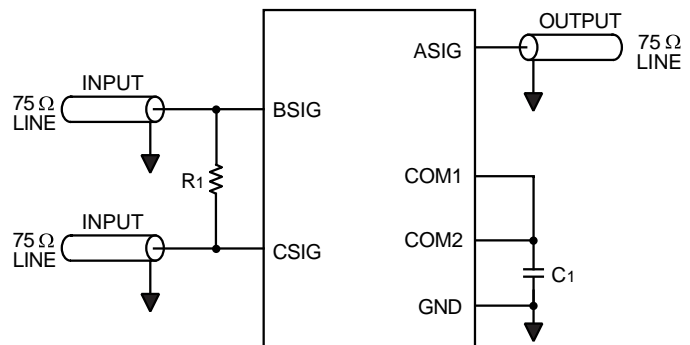
### PIN DIAGRAM



### SIGNAL SPLITTER



### SIGNAL COMBINER



©2000 Bel Fuse Inc. Specifications subject to change without notice. 09.00

Bel Fuse Inc. 198 Van Vorst Street, Jersey City, NJ 07302 • Tel 201-432-0463 • Fax 201-432-9542 • www.belfuse.com

T1-123



TM00152

**HIGH FREQUENCY MAGNETICS**  
Surface Mount Wideband Signal Splitter

**This page intentionally left blank.**

©2000 Bel Fuse Inc. Specifications subject to change without notice. 09.00

**CORPORATE**

**Bel Fuse Inc.**  
198 Van Vorst Street  
Jersey City, NJ 07302  
Tel 201-432-0463  
Fax 201-432-9542  
www.belfuse.com

**T1-124**

**FAR EAST**

**Bel Fuse Ltd.**  
8F / 8 Luk Hop Street  
San Po Kong  
Kowloon, Hong Kong  
Tel 852-2328-5515  
Fax 852-2352-3706  
www.belfuse.com

**EUROPE**

**Bel Fuse Europe Ltd.**  
Preston Technology Management Centre  
Marsh Lane, Suite G7, Preston  
Lancashire, PR1 8UD, U.K.  
Tel 44-1772-556601  
Fax 44-1772-888366  
www.belfuse.com