

# RF TRANSFORMER

For Wideband RF Applications



- RoHS peak reflow temperature rating: 245°C
- For single-ended to balanced applications
- Value-oriented construction
- Small surface mount package
- Excellent insertion loss
- Various impedance ratios available

## Electrical Specifications @ 25°C — Operating Temperature -40°C to +85°C

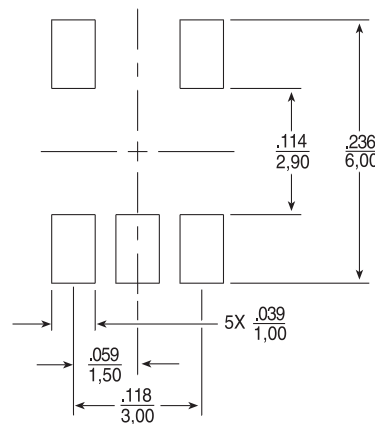
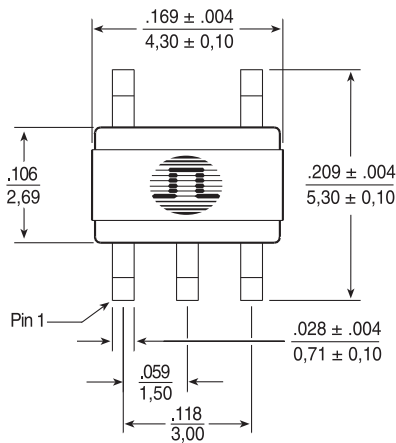
Part Number <sup>4</sup>	Impedance Ratio <sup>1</sup> Pri:Sec (±2%)	Turns Ratio <sup>1</sup> Pri:Sec (±2%)	Bandwidth <sup>2,3</sup> (MHz TYP)	Insertion Loss @ Midband (dB)	Schematic
CX2078NL	1:1	1:1	5-500	0.6	A
CX2081NL	1:1.5CT	1:1.2CT	5-125	0.9	B
CX2156NL	1:1	1:1	2.3 - 2700	0.2	A

1. **Impedance** and turns ratios are specified primary:secondary. (CT=Center Tap).
2. **Bandwidth** is referenced to midband loss.
3. **These transformers** are verified to operate from -40°C to +85°C. Contact Applications Engineering for performance data.
4. **Optional Tape & Reel** packaging can be ordered by adding a "T" suffix to the part number (ex: CX2078NLT).

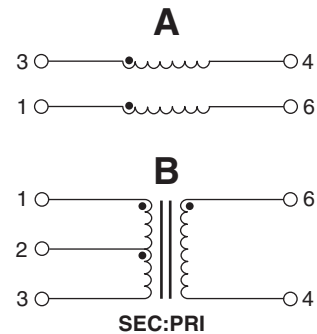
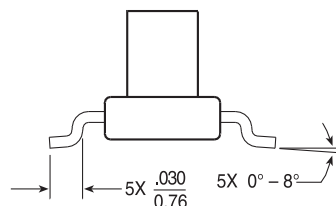
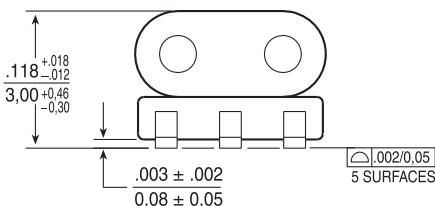
## Mechanical

## Schematic

### CX2078NL, CX2081NL, CX2156NL



SUGGESTED PAD LAYOUT



Weight ..... 0.43 grams  
 Tape & Reel ..... 2200 /reel  
 Tray ..... 100 /tray

Dimensions:  $\frac{\text{Inches}}{\text{mm}}$   
 Unless otherwise specified,  
 all tolerances are  $\pm \frac{.010}{0.25}$

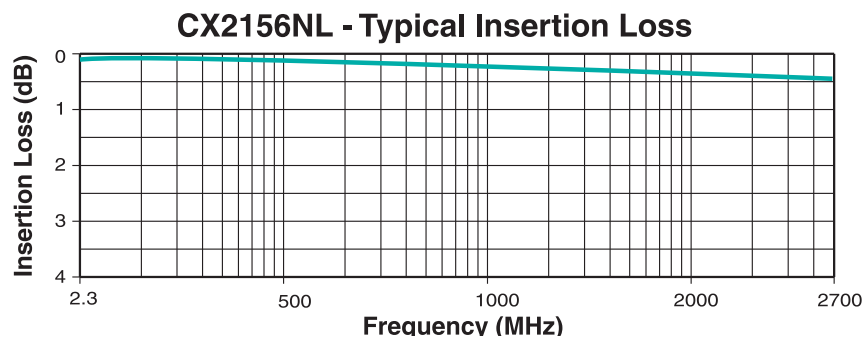
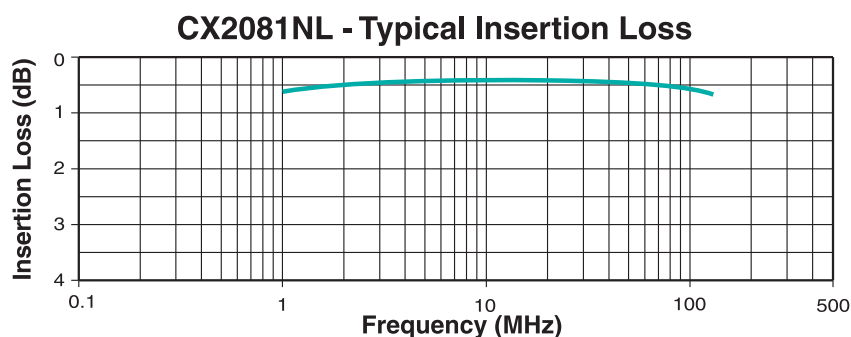
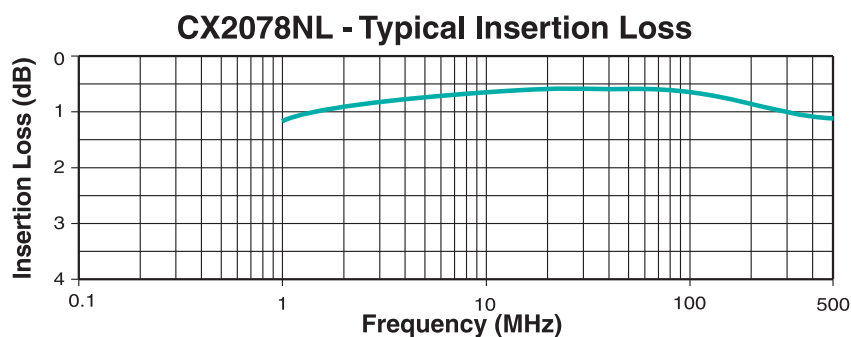
# RF TRANSFORMER

For Wideband RF Applications



## Application Notes

- A. Bandwidth specifications are typical in a 75  $\Omega$  system.
- B. Materials used in the products are UL94-V0 recognized. Products meet requirements of IEC 695-2-2 (Needle Flame Test).
- C. For additional impedance ratios and frequency ranges, please contact Applications Engineering.



## For More Information:

**Pulse Worldwide Headquarters**  
 12220 World Trade Dr.  
 San Diego, CA 92128  
 U.S.A.

**Pulse Europe**  
 Einsteinstrasse 1  
 D-71083 Herrenberg  
 Germany

**Pulse China Headquarters**  
 B402, Shenzhen Academy of  
 Aerospace Technology Bldg.  
 10th Kejinan Rd.  
 Hwigh-Tech Zone  
 Nanshan District  
 Shenzhen, PR China 518057

**Pulse North China**  
 Room 2704/2705  
 Super Ocean Finance Ctr.  
 2067 Yan An Rd. West  
 Shanghai 200336  
 China

**Pulse South Asia**  
 135 Joo Seng Rd.  
 #03-02  
 PM Industrial Bldg.  
 Singapore 368363

**Pulse North Asia**  
 No. 26, Kao Ching Rd.  
 Yang Mei Chen  
 Taoyuan Hsien  
 Taiwan  
 R. O. C.

**www.pulseeng.com**  
 Tel: 858 674 8100  
 Fax: 858 674 8262

Tel: 49 7032 7806 0  
 Fax: 49 7032 7806 135

TEL: 86 755 33966678  
 FAX: 86 755 33966700

Tel: 86 21 62787060  
 Fax: 86 2162786973

TEL: 65 6287 8998  
 FAX: 65 6280 0080

Tel: 886 3 4643715  
 Fax: 886 3 4641911

Performance warranty of products offered on this data sheet is limited to the parameters specified. Data is subject to change without notice. Other brand and product names mentioned herein may be trademarks or registered trademarks of their respective owners.

© Copyright, 2009. Pulse Engineering, Inc. All rights reserved.

[www.pulseeng.com](http://www.pulseeng.com)