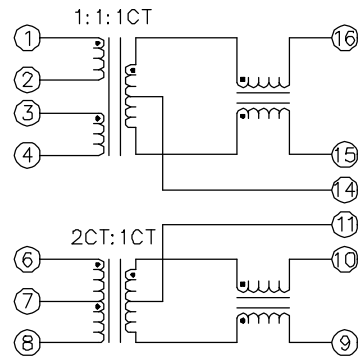


Electrical

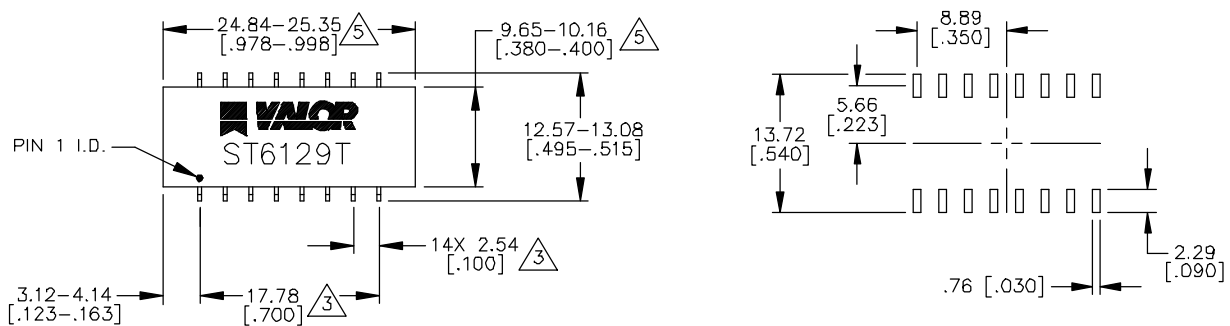


SCHEMATIC
T1, T2

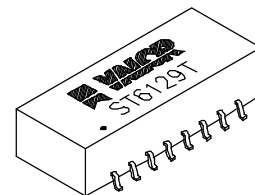
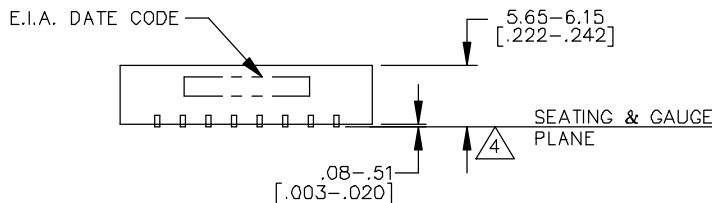
ELECTRICAL SPECIFICATIONS @ 25°C

URNS RATIO (1-2):(3-4):(16-15)	: 1:1:1CT
URNS RATIO (6-7-8 TO 10-11-9)	: 2CT:1CT
OCL (1-2) = (3-4) = (16-15)	: 350 μ H MIN @100KHz, 100mV, 8mAdC
OCL (10-9)	: 350 μ H MIN @100KHz, 100mV, 8mAdC
HIPOT (1-4 TO 16-15) CONNECT 2-3	: 1500VAC
HIPOT (6-7-8 TO 10-11-9)	: 1500VAC
LL (1-2 SHORT 16-15)	: 1.0 μ H MAX @ 1MHz, 1V
LL (6-8 SHORT 10-9)	: 1.25 μ H MAX @ 1MHz, 1V
CWW (1-2 TO 16-15) = (3-4 TO 16-15)	: 25pF MAX @ 140KHz, 1V
CWW (6-8 TO 10-9)	: 25pF MAX @ 140KHz, 1V
DCR (1-2) = (3-4)	: .9 Ω MAX
DCR (16-15) = (10-9)	: 1.1 Ω MAX
DCR (6-8)	: 1.1 Ω MAX

Mechanical



RECOMMENDED
PAD LAYOUT



WEBSITE www.valorinc.com E-MAIL marketing@valorinc.com

NORTH AMERICA
tel 1-800-31 VALOR
fax 619-537-2525

ASIA/PACIFIC
tel +852-2953-1000
fax +852-2953-1333

EUROPE
tel +44-1727-824 875
fax +44-1727-824 898