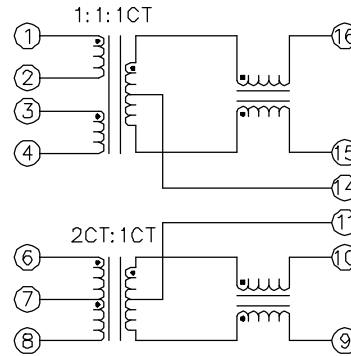


## Electrical

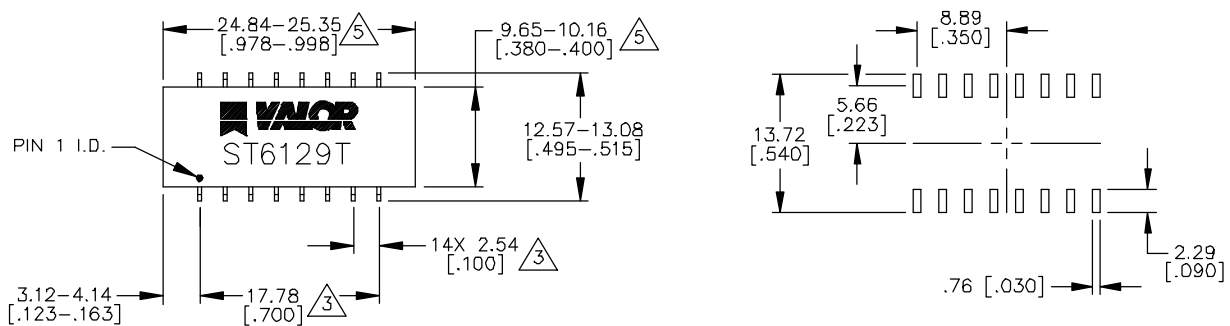


**SCHEMATIC**  
T1, T2

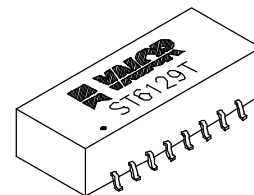
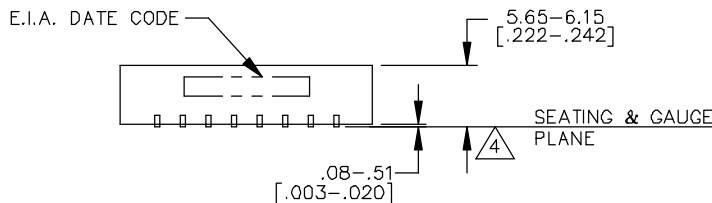
**ELECTRICAL SPECIFICATIONS @ 25°C**

TURNS RATIO (1-2):(3-4):(16-15) TURNS RATIO (6-7-8 TO 10-11-9) OCL (1-2) = (3-4) = (16-15) OCL (10-9) HIPOT (1-4 TO 16-15) CONNECT 2-3 HIPOT (6-7-8 TO 10-11-9) LL (1-2 SHORT 16-15) LL (6-8 SHORT 10-9) CWW (1-2 TO 16-15) = (3-4 TO 16-15) CWW (6-8 TO 10-9) DCR (1-2) = (3-4) DCR (16-15) = (10-9) DCR (6-8)	: 1:1:1CT : 2CT:1CT : 350μH MIN @100KHz, 100mV, 8mAdC : 350μH MIN @100KHz, 100mV, 8mAdC : 1500VAC : 1500VAC : 1.0μH MAX @ 1MHz, 1V : 1.25μH MAX @ 1MHz, 1V : 25pF MAX @ 140KHz, 1V : 25pF MAX @ 140KHz, 1V : .9Ω MAX : 1.1Ω MAX : 1.1Ω MAX
---	--

## Mechanical



RECOMMENDED  
PAD LAYOUT



WEBSITE [www.valorinc.com](http://www.valorinc.com) E-MAIL [marketing@valorinc.com](mailto:marketing@valorinc.com)

**NORTH AMERICA**  
tel 1-800-31 VALOR  
fax 619-537-2525

**ASIA/PACIFIC**  
tel +852-2953-1000  
fax +852-2953-1333

**EUROPE**  
tel +44-1727-824 875  
fax +44-1727-824 898