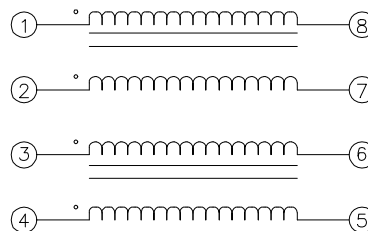
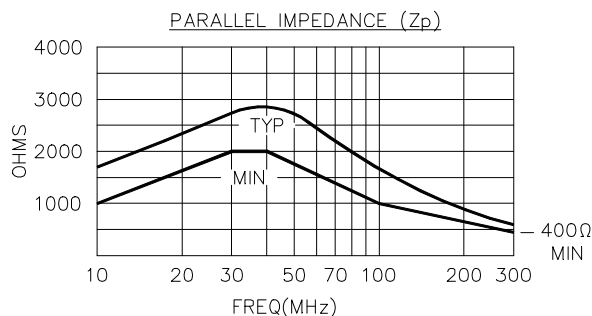


Electrical

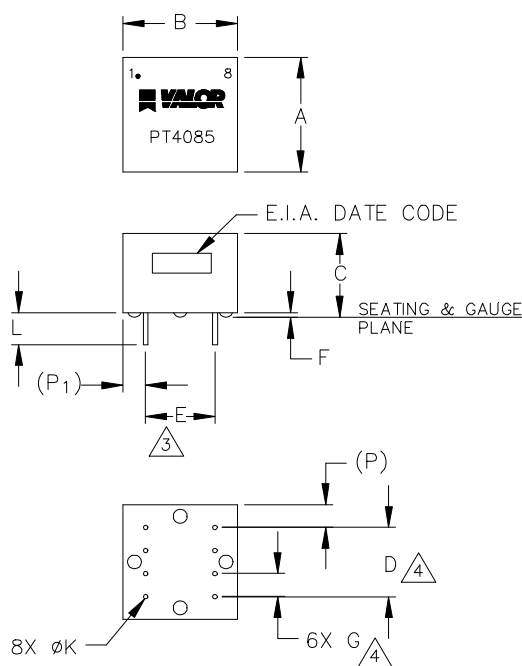


ELECTRICAL SPECIFICATIONS @ 25°C

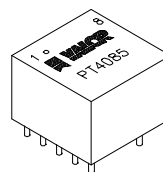
TURNS RATIO : 1 : 1, 1 : 1 ± 5%
 PHASING : 1, 2, 3 AND 4
 OCL : 36 μ H MIN @ .016VRMS MAX, 100KHz
 LL : 0.3 μ H MAX @ 1MHz MIN
 C_{ww} : 25pF MAX
 DCR : 0.35 Ω MAX
 HIPOT : 500VRMS
 Z_p : PER GRAPH (REFER SHT 2)
 CROSSTALK : 45dB MIN (0-25MHz)

SCHEMATIC

Mechanical



DIM	MILLIMETERS		INCHES	
	MIN	MAX	MIN	MAX
A	12.37	12.88	.487	.507
B	12.37	12.88	.487	.507
C	8.69	9.70	.342	.382
D	7.62 (TP)		.300 (TP)	
E	7.49	7.75	.295	.305
F	.25	.76	.010	.030
G	2.54 (TP)		.100 (TP)	
ØK	.51	.76	.020	.030
L	3.18	3.81	.125	.150
(P)	1.98	3.00	.078	.118
(P1)	1.98	3.00	.078	.118



WEBSITE www.valorinc.com E-MAIL marketing@valorinc.com

NORTH AMERICA
 tel 1-800-31 VALOR
 fax 619-537-2525

ASIA/PACIFIC
 tel +852-2953-1000
 fax +852-2953-1333

EUROPE
 tel +44-1727-824 875
 fax +44-1727-824 898