

LAN Components

10BASE-T

Pulse Transformers

TLA-3T105/109/110/112

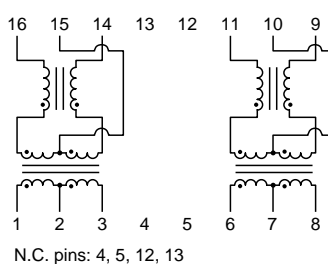
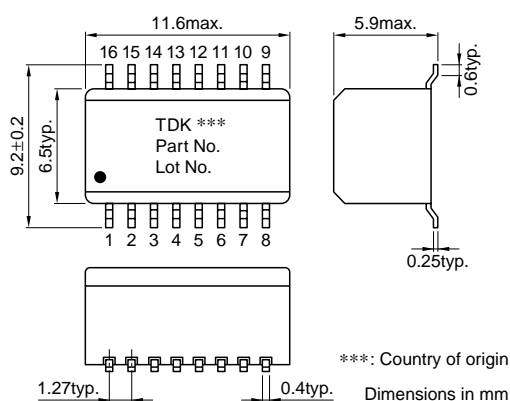
FEATURES

- 16-pin SOP package(1.27mm=50mil pin pitch).
- TLA-3T105 is suitable for use with AMD's Am79C984A, 985, 988A.
- TLA-3T109 is suitable for use with LSI LOGIC's 80C24, 80C25, NS's DP83959, LEVEL ONE's LXT905, 908.
- TLA-3T110 is suitable for use with LEVEL ONE's LXT901A, 907A, 914, 915, 944, FUJITSU's MB86964, CIRRUS LOGIC's CS8900A(5V).
- TLA-3T112 is suitable for use with CIRRUS LOGIC's CS8900A(3.3V).
- Tape and reel packaging are available(TLA-3T1□□-T: Tape and reel, TLA-3T1 □□: Bulk).
- ISO9001/QS9000 quality standards certification.

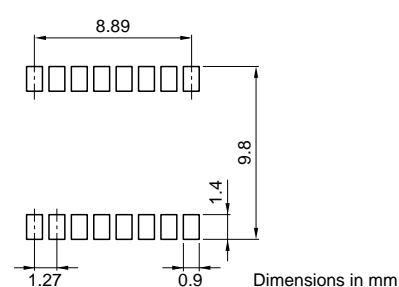
GENERAL SPECIFICATIONS

Pulse transformer	2
Common-mode choke	2
Port	1
Operating temperature range	0 to +70°C
Storage temperature range	-40 to +85°C
Withstanding voltage	Erms:2000V[60s]

SHAPES AND DIMENSIONS/CIRCUIT DIAGRAM



RECOMMENDED PC BOARD PATTERN



ELECTRICAL CHARACTERISTICS

Part No.	Turns ratio 1,2,3:16,15,14 6,7,8:11,10,9	Inductance (μ H)min.[100kHz] 1-3 6-8	Leakage inductance (μ H)max.[100kHz] 1-3[16-14 shorted] 6-8[11-9 shorted]	Inter-winding stray capacitance (pF)max.[100kHz] 1,3-16,14 6,8-11,9	DC resistance (Ω)max. 1-3 6-8
TLA-3T105(-T)	1CT:1CT 1CT:1CT	130 130	0.3 0.3	12 12	0.5 0.5
TLA-3T109(-T)	2CT:1CT 1CT:1CT	130 130	0.35 0.35	12 12	0.5 0.5
TLA-3T110(-T)	1CT:1CT 1CT:1.41CT	130 130	0.35 0.35	12 12	0.5 0.5
TLA-3T112(-T)	1CT:1CT 1CT:2.5CT	130 130	0.35 0.35	12 12	0.85 0.85

- Ta=25°C

LAN Components

10BASE-T

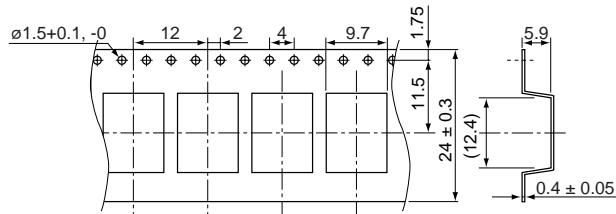
Pulse Transformers

TLA-3T105/109/110/112

PACKAGING STYLES

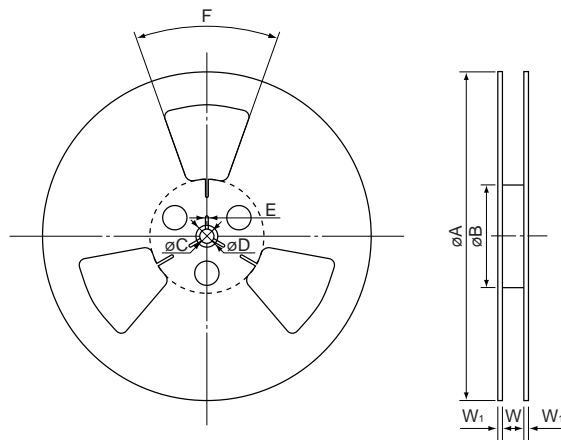
Quantity : 1000pieces/reel

TAPE DIMENSIONS



Dimensions in mm

REEL DIMENSIONS

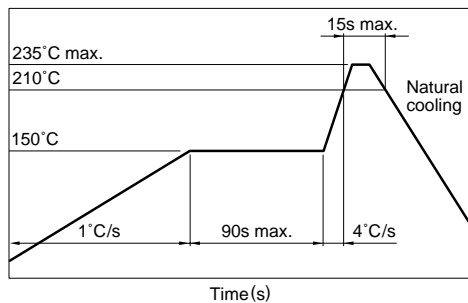


Dimensions in mm

A	B	C	D	E	F	W	W ₁
$\phi 330 \pm 2$	$\phi 80 \pm 1$	$\phi 13.5 \pm 0.2$	$\phi 21 \pm 0.8$	2 ± 0.5	$3-40^\circ$	$24.4+2, -0$	2 ± 0.5

RECOMMENDED SOLDERING CONDITION

REFLOW SOLDERING



- Temperature is measured on the top of products body(Using thermocoupler for measurement).
- This profile is reference data we recommend. Please check in your actual process.