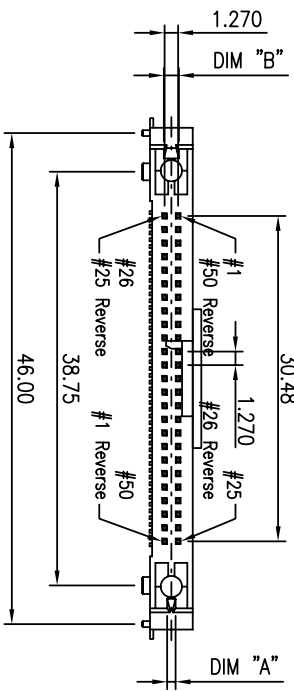
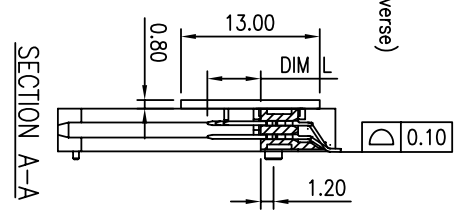
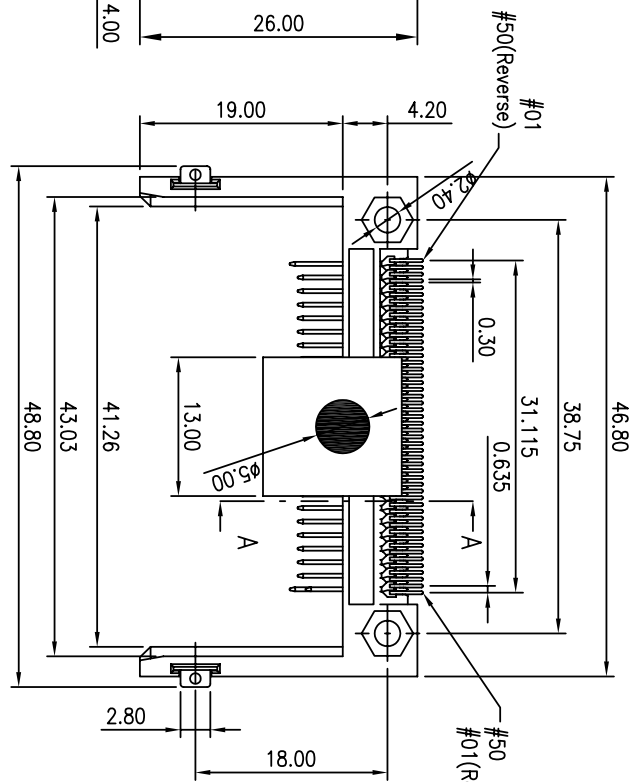
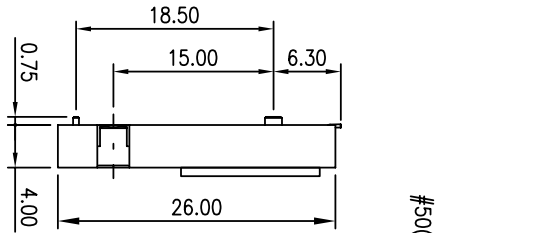


PROD NO  
SEE NOTE



PIN TYPE	DIM (L1,L2,L3)	PIN NO.
POWER	L3 = 5.00mm	1, 13, 38, 50
GENERAL	L2 = 4.25mm	ALL OTHER PINS
DETECT	L1 = 3.50mm	25, 26

PART NUMBER	DIMENSION A	DIMENSION B
10030920-X050 NORMAL TYPE	0.80	1.40
10030920-X150 REVERSE TYPE	1.40	0.80

mod'l. code	tolerances unless otherwise specified		CUSTOMER COPY		title	
itr	ecn no	dr	date	linear	product family	CF
A T03-0176	J.C	8/6/03		.XX ±.25	CF	CF HEADER SLIM TYPE
B T04-0387	A.C.	10/07/04		.XXX ±.10	product size	A4
C T05-0055	A.C.	4/11/05	angles	0° ±.2°	product family	CF
D T05-0230	A.C.	10/14/05	dr	JASMINE CHANG	product size	A4
			engr	JASON HSU	product size	A4
			chr	JASON HSU	product size	A4
			oppl	STERLING LIN	product size	A4
sheet	revision	D	D		product size	A4
index	sheet	1	2		product size	A4

ACAD

cage code  
22526

www.fciconnect.com

