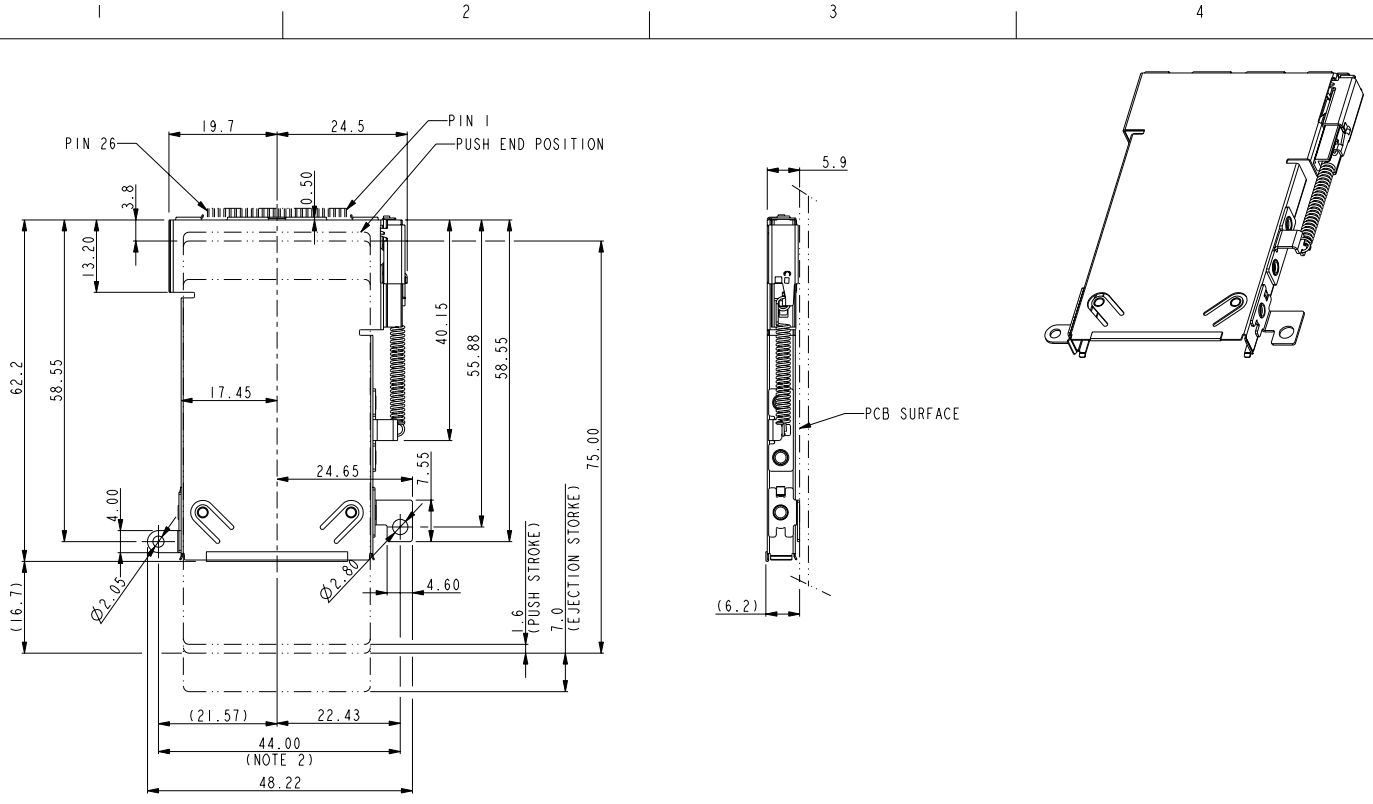




Copyright FCJ.

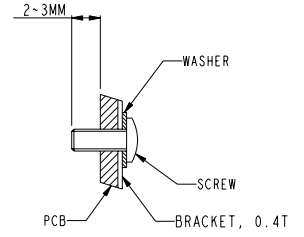
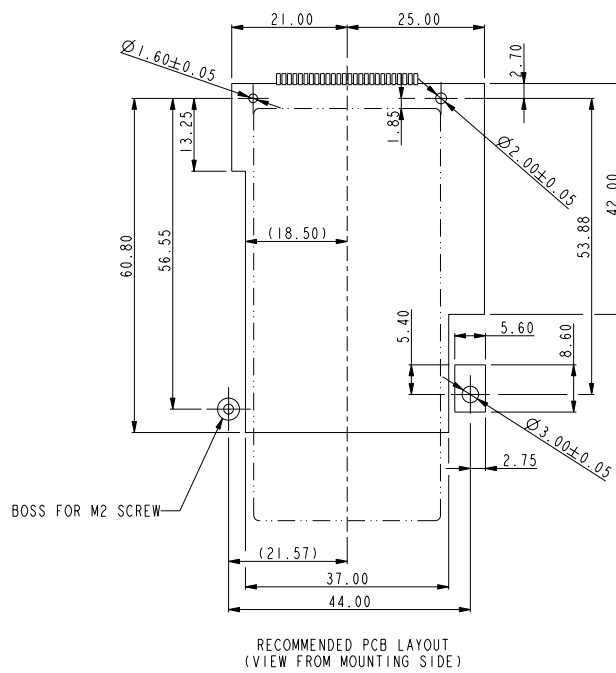


REV 1 - 2004-04-07

rev	ecn no	dr	date
A	106-0018	TAI	2006-01-23
B	106-0105	TAI	2006-05-25
C	N09-0013	R.B	2009/01/20
-	-	-	-
-	-	-	-
-	-	-	-

www.fciconnect.com		surface	tolerance std	projection	MM
		ASME Y14.5	TOLERANCES UNLESS OTHERWISE SPECIFIED		
Dr	KENNY TAI	2005-12-29	ANGULAR	0.x	±0.5
Eng	KENNY TAI	2005-12-29	LINEAR	0.xx	±0.3
Chr	KENNY TAI	2005-12-29	0° ±2°	0.xxx	±
Appr	PAUL WANG	2006-12-29	Product family	ECN	N09-0013
				Spec ref	
		TITLE BELOW MOUNT, CARD PUSH EXPRESSCARD HOST MECH.		eng no 10065052	Rev. C
catalog no		10065052	CUSTOMER	sheet 1 of 2	

PART NO.	MOUNTING	STAND-OFF	HOST CONN P/N	PRODUCT SPEC.	PACKING SPEC.	CONN. UNMATING FORCE
10065052-00BLF	BELOW	0MM	10065051-X00BXXLF	GS-12-301	GS-14-295	18.5N MAX.



DETAIL 2
RECOMMENDED SCREW LENGTH

NO MOUNTING PART AREA

- NOTE:
1. 2 M2*0.4P SCREWS WITH WASHER ARE REQUIRED.
 2. SHOW DIMENSION AFTER FASTENED TO PCB.
 3. SEE HOST CONNECTOR DRAWINGS FOR PCB LAYOUT DETAIL.
 4. RECOMMENDED TIGHTING TORQUE 1.6~1.8 KGF-CM.
 5. SEE DETAIL 2 FOR RECOMMENDED SCREW LENGTH.

www.fciconnect.com		surface <input checked="" type="checkbox"/>	tolerance std ASME Y14.5	projection	MM
TOLERANCES UNLESS OTHERWISE SPECIFIED				Scale 1.000	
Dr KENNY TAI	2005-12-29	ANGULAR	0.X	±0.5	size A4
Eng KENNY TAI	2005-12-29	LINEAR	0.XX	±0.3	ECN N09-0013
Chr KENNY TAI	2005-12-29	0° ±2°	0.XXX	±	
Appr PAUL WANG	2006-12-29	Product family	Spec ref		
	TITLE BELOW MOUNT, CARD PUSH EXPRESSCARD HOST MECH.		dwg no 10065052	CUSTOMER	Rev. C
catalog no	10065052	CUSTOMER		sheet 2 of 2	

PDM: Rev:C

STATUS Released 4 Printed: Oct 12, 2010