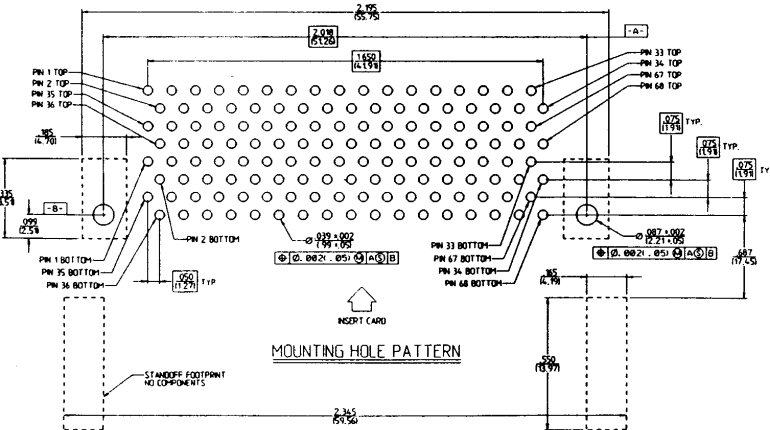
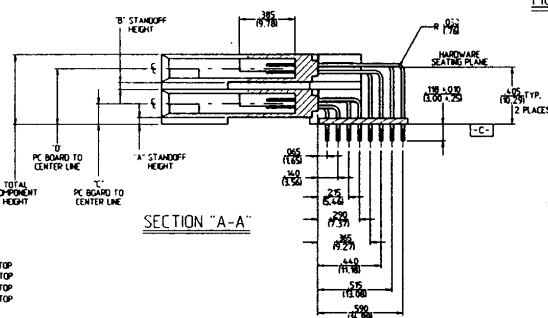
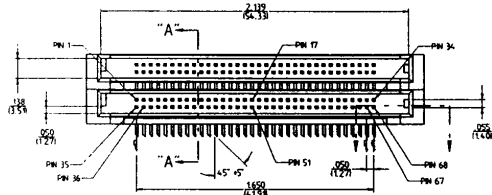
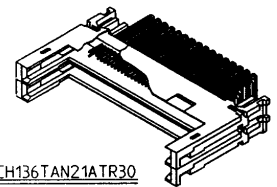


PART DESCRIPTION	DIM "A" STANDOFF HEIGHT	DIM "B" STANDOFF HEIGHT	DIM "C" PC BOARD TO CENTER LINE	DIM "D" PC BOARD TO CENTER LINE	TOTAL COMPONENT HEIGHT
MCH136TAN21ATR30	.054 (1.37)	.047 (1.20)	.146 (3.70)	.387 (10.08)	.495 (12.57)



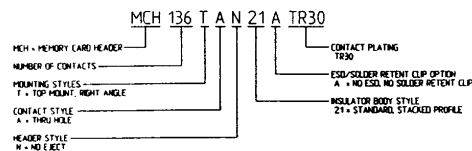
**HEADER:**  
 Power Pins, .197" (5.0mm) long:  
 1, 17, 34, 35, 51, 68  
 Signal Pins, .167" (4.24mm) long:  
 2-16, 18-33, 37-50, 52-66  
 Detect Pins, .137" (3.48mm) long:  
 36, 67

- NOTES:**
1. All dimensions are in inches. Metric equivalence in parentheses are for reference only.
  2. All parts packaged in trays unless requested.
  3. Available in bottom mount.
  4. Acquire size M2(0-80 UNC) screws for hold down hardware.
  5. Plated thru holes shall be linked to the PCB grounding path.

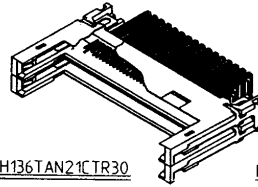
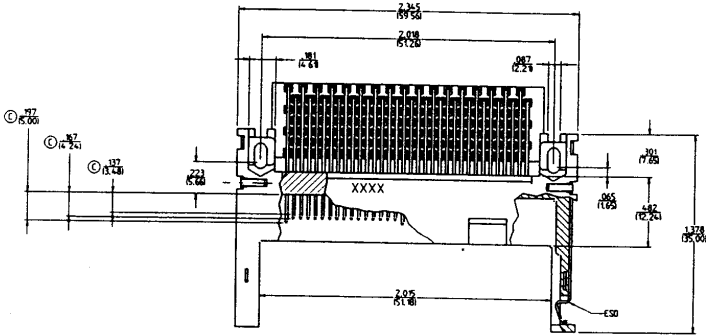
CUSTOMER DRAWING

**Robinson Nugent** 812/945-0211  
 812/945-0805 FAX

**MEMPAK MCH136TAN21ATR30**  
 136 Position, Top Mount, Right Angle Header  
 No Eject, No ESD, No Retent Clip, Stacked



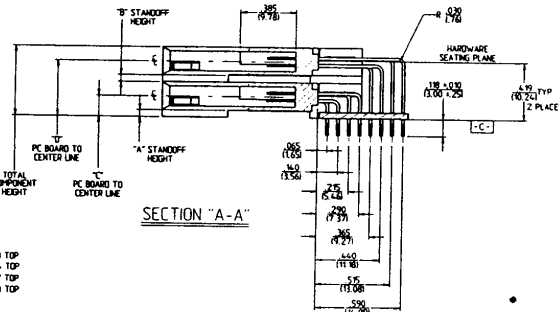
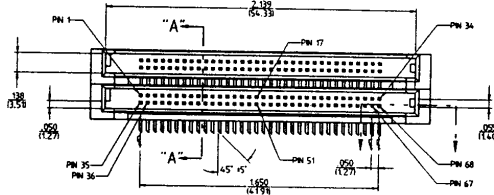
PART DESCRIPTION	DIM "A" STANDOFF HEIGHT	DIM "B" STANDOFF HEIGHT	DIM "C" PC BOARD TO CENTER LINE	DIM "D" PC BOARD TO CENTER LINE	TOTAL COMPONENT HEIGHT
MCH136TAN21CTR30	.054 (1.37)	.047 (1.20)	.146 (3.70)	.397 (10.06)	.495 (12.57)



MCH136TAN21CTR30

MCH 136 T A N 21 C TR30

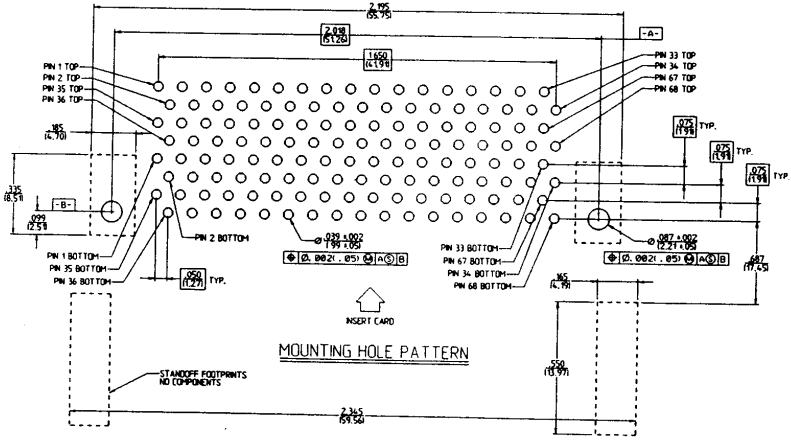
- MCH - MEMORY CARD HEADER
- NUMBER OF CONTACTS
- MOUNTING STYLE
- T - TOP MOUNT, RIGHT ANGLE
- CONTACT STYLE
- A = THROUGH HOLE
- HEADER STYLE
- N = NO EJECT
- CONTACT PLATING TR30
- ESD/SOLDER RETENT CLIP OPTION
- C = ESD, NO SOLDER RETENT CLIP
- INSULATOR BODY STYLE
- Z1 - STANDARD STACKED PROFILE



SECTION "A-A"

**HEADER:**  
 Power Pins, .197" (5.0mm) long:  
 1, 17, 34, 35, 51, 68  
 Signal Pins, .167" (4.24mm) long:  
 2-16, 18-33, 37-50, 52-66  
 Detect Pins, .137" (3.48mm) long:  
 36, 67

- NOTES:**
- All dimensions are in inches. Metric equivalents in parentheses are for reference only.
  - All parts packaged in trays unless requested.
  - Available in bottom mount.
  - Acquire size M2(0-80 UNC) screws for hold down hardware.
  - Plated thru holes shall be linked to the PCB grounding path.



**RN MEMPAK**

CUSTOMER DRAWING

**Robinson Nugent** 812/945-0211  
 812/945-0805 FAX

**MEMPAK MCH136TAN21CTR30**  
 136 Position, Top Mount, Right Angle Header  
 No Eject, with ESD, No Retent Clip, Stacked