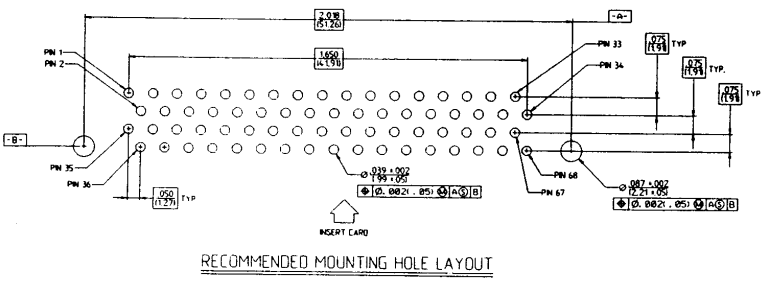


HEADER:
 Power Pins, .197" (5.0mm) long:
 1, 17, 34, 35, 51, 68
 Signal Pins, .167" (4.24mm) long:
 2-16, 18-33, 37-50, 52-66
 Detect Pins, .137" (3.48mm) long:
 36, 67

- NOTES:**
- All dimensions are in inches. Metric equivalence in parentheses are for reference only.
 - All parts packaged in trays unless requested.
 - Available in bottom mount.
 - Acquire size M2(0-80 UNC) screws for hold down hardware.
 - Plated thru holes shall be linked to the PCB grounding path.

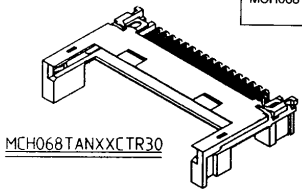
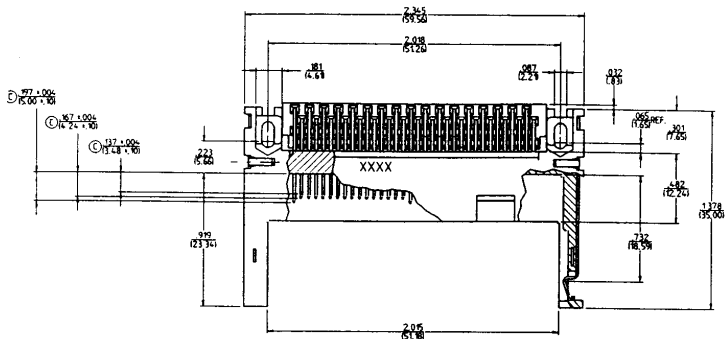


CUSTOMER DRAWING

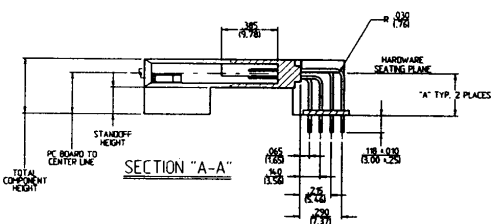
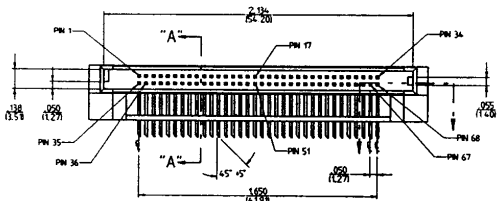
Robinson Nugent 812/945-0211
 812/945-0805 FAX

MEMPAK MCH068TAN01CTR30
 68 Position, Top Mount, Right Angle Header
 No Eject with ESD, No Retent Clip

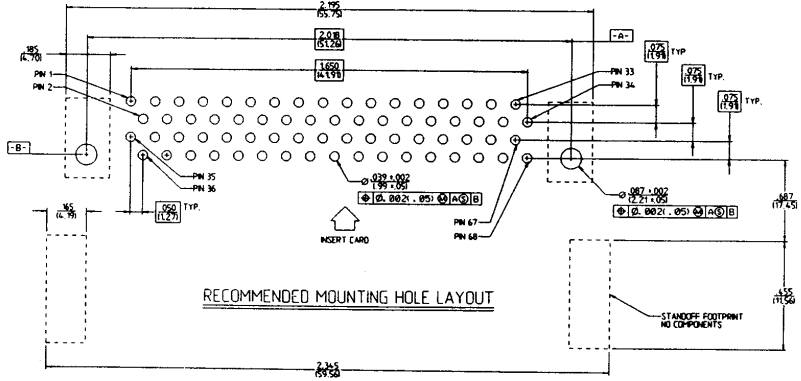
RN MEMPAK



PART DESCRIPTION	STANDOFF HEIGHT	PC BOARD TO CENTER LINE	TOTAL COMPONENT HEIGHT	DIM "A" HARDWARE REFERENCE
MCH068TAN02CTR30	.157 (4.00)	.256 (6.50)	.354 (9.00)	.278 (7.06)
MCH068TAN03CTR30	.275 (7.00)	.374 (9.50)	.472 (12.00)	.396 (10.06)



HEADER:
 Power Pins, .197" (5.0mm) long:
 1, 17, 34, 35, 51, 68
 Signal Pins, .167" (4.24mm) long:
 2-16, 18-33, 37-50, 52-66
 Detect Pins, .137" (3.48mm) long:
 36, 67



- NOTES:**
1. All dimensions are in inches. Metric equivalence in parentheses are for reference only.
 2. All parts packaged in trays unless requested.
 3. Available in bottom mount.
 4. Acquire size M2(0-80 UNC) screws for hold down hardware.
 5. Plated thru holes shall be linked to the PCB grounding path.

CUSTOMER DRAWING

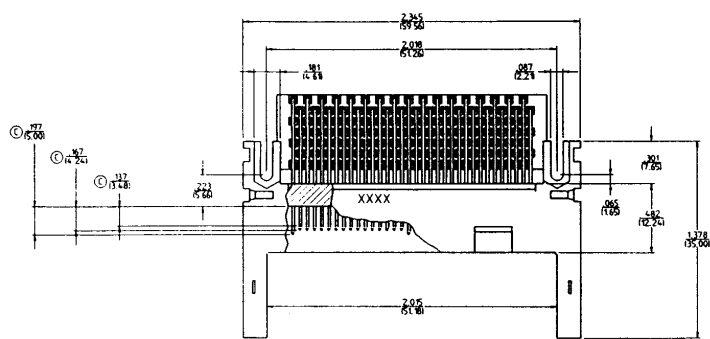
Robinson Nugent	812/945-0211
	812/945-0805 FAX
MEMPAK MCH068TANXXCTR30	
68 Position, Top Mount, Right Angle Header	
No Eject with ESD, No Retent Clip with Standoffs	

MCH 068 T A N X X C T R 30

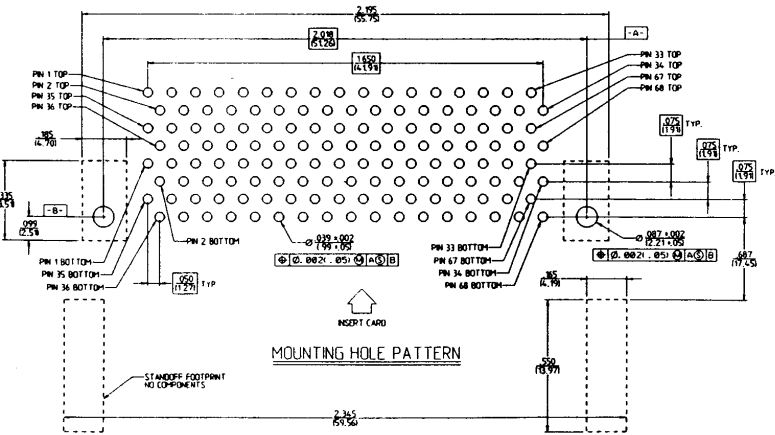
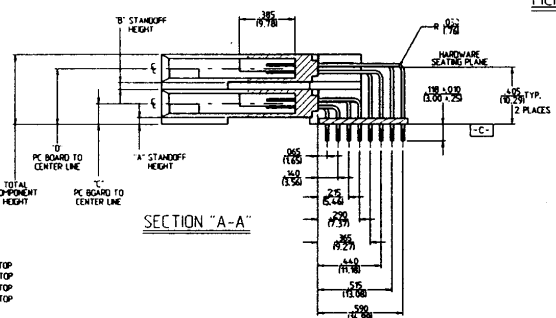
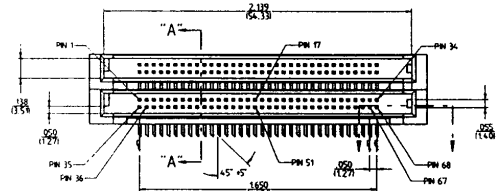
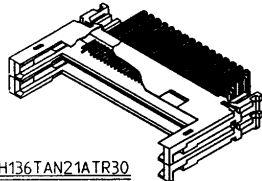
MCH = MEMORY CARD HEADER
 NUMBER OF CONTACTS
 MOUNTING STYLE
 T = TOP INSULATE, RIGHT ANGLE
 CONTACT STYLE
 A = THRU HOLE
 HEADER STYLE
 M = NO EJECT

CONTACT PLATING
 TR30
 ESD/SOLDER RETENT CLIP OPTION
 C = ESD, NO SOLDER RETENT CLIP
 INSULATOR BODY STYLE
 02 = 4.0mm STANDOFF, SINGLE PROFILE
 03 = 7.0mm STANDOFF, SINGLE PROFILE

RN MEMPAK



PART DESCRIPTION	DIM "A" STANDOFF HEIGHT	DIM "B" STANDOFF HEIGHT	DIM "C" PC BOARD TO CENTER LINE	DIM "D" PC BOARD TO CENTER LINE	TOTAL COMPONENT HEIGHT
MCH136TAN21ATR30	.054 (1.37)	.047 (1.20)	.146 (3.70)	.387 (10.08)	.495 (12.57)

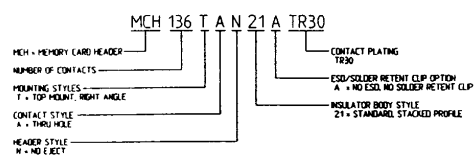


- HEADER:**
 Power Pins, .197" (5.0mm) long:
 1, 17, 34, 35, 51, 68
 Signal Pins, .167" (4.24mm) long:
 2-16, 18-33, 37-50, 52-66
 Detect Pins, .137" (3.48mm) long:
 36, 67
- NOTES:**
- All dimensions are in inches. Metric equivalence in parentheses are for reference only.
 - All parts packaged in trays unless requested.
 - Available in bottom mount.
 - Acquire size M2(0-80 UNC) screws for hold down hardware.
 - Plated thru holes shall be linked to the PCB grounding path.

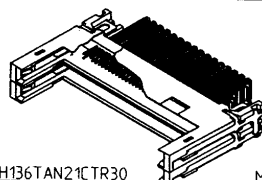
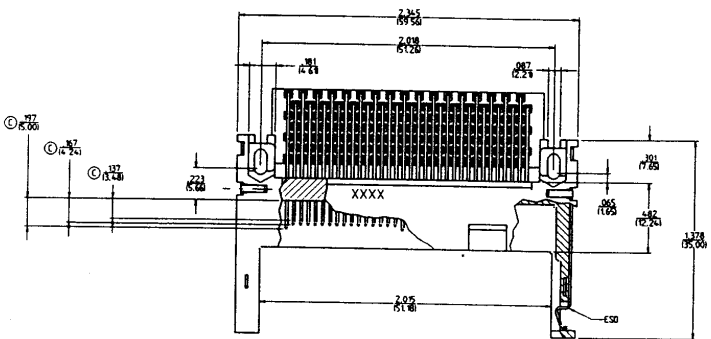
CUSTOMER DRAWING

Robinson Nugent 812/945-0211
 812/945-0805 FAX

MEMPAK MCH136TAN21ATR30
 136 Position, Top Mount, Right Angle Header
 No Eject, No ESD, No Retent Clip, Stacked



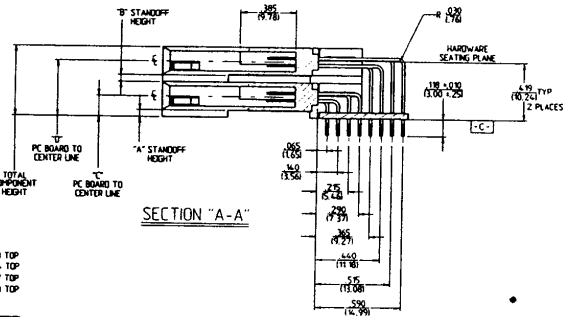
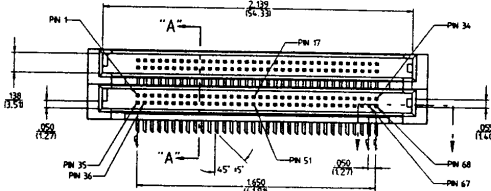
PART DESCRIPTION	DIM "A" STANDOFF HEIGHT	DIM "B" STANDOFF HEIGHT	DIM "C" PC BOARD TO CENTER LINE	DIM "D" PC BOARD TO CENTER LINE	TOTAL COMPONENT HEIGHT
MCH136TAN21CTR30	.054 (1.37)	.047 (1.20)	.146 (3.70)	.397 (10.06)	.495 (12.57)



MCH136TAN21CTR30

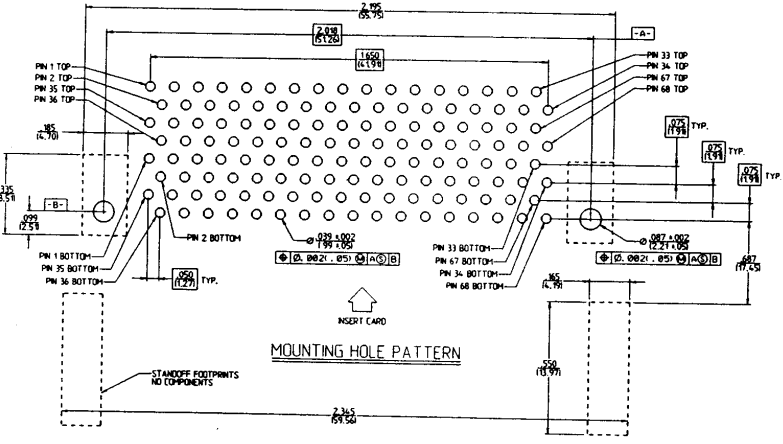
MCH 136 T A N 21 C TR30

- MCH - MEMORY CARD HEADER
- NUMBER OF CONTACTS
- MOUNTING STYLE
- T - TOP MOUNT, RIGHT ANGLE
- CONTACT STYLE
- A = THROUGH HOLE
- HEADER STYLE
- N = NO EJECT
- CONTACT PLATING
- TR30
- ESD/SOLDER RETENT CLIP OPTION
- C = ESD, NO SOLDER RETENT CLIP
- INSULATOR BODY STYLE
- Z1 - STANDARD STACKED PROFILE



HEADER:
 Power Pins, .197" (5.0mm) long:
 1, 17, 34, 35, 51, 68
 Signal Pins, .167" (4.24mm) long:
 2-16, 18-33, 37-50, 52-66
 Detect Pins, .137" (3.48mm) long:
 36, 67

- NOTES:**
- All dimensions are in inches. Metric equivalents in parentheses are for reference only.
 - All parts packaged in trays unless requested.
 - Available in bottom mount.
 - Acquire size M2(0-80 UNC) screws for hold down hardware.
 - Plated thru holes shall be linked to the PCB grounding path.



CUSTOMER DRAWING

Robinson Nugent 812/945-0211
 812/945-0805 FAX

MEMPAK MCH136TAN21CTR30
 136 Position, Top Mount, Right Angle Header
 No Eject, with ESD, No Retent Clip, Stacked

RN MEMPAK