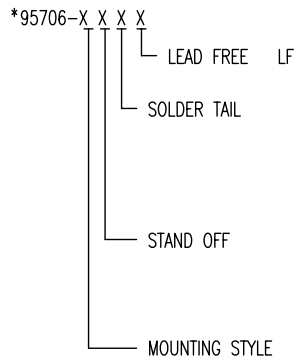


Tous droits strictement réservés. Reproduction ou communication à des tiers
interdite sous quelque forme que ce soit sans autorisation écrite du propriétaire.
Propriété de c FCI. Droits de reproduction FCI.

All rights strictly reserved. Reproduction or issue to third parties in any
form whatever is not permitted without written authority from the proprietor.
Property of FCI. Copyright FCI.

FCI

PRODUCT NO. 95706-XXX	STAND OFF DIM "M" (mm)	SOLDER TAIL	DIM "P" (mm)	SHEET NO.	MOUNTING STYLE TO PCB
000	0	R/A	2.8	NO.2	TOP MOUNT 95706-0XX BLACK COLOR
000LF	0	R/A	2.8		
001	0	SMT STAGGERED	—#—		
002	0	SMT IN LINE	—#—		
010	4	R/A	2.8	NO.3	
020	5	R/A	2.8		
040	2	R/A	2.5		
010LF	4	R/A	2.8		
020LF	5	R/A	2.8	NO.4	BOTTOM MOUNT 95706-5XX NATURAL (WHITE) COLOR
040LF	2	R/A	2.5		
500	0	R/A	2.8		
500LF	0	R/A	2.8		
501	0	SMT STAGGERED	—#—	NO.5	
502	0	SMT IN LINE	—#—		
510	4	R/A	2.8		
520	5	R/A	2.8		
540	2	R/A	2.5		
510LF	4	R/A	2.8		
520LF	5	R/A	2.8		
540LF	2	R/A	2.5		



- 0 : R/A (FOR LOWER & SINGLE)
- 1 : SMT STAGGERED (FOR LOWER ONLY)
- 2 : SMT IN LINE (FOR LOWER ONLY)
- 5 : R/A (FOR UPPER ONLY)

- 0 : 0mm
- 1 : 4mm
- 2 : 5mm
- 4 : 2mm
- 0 : TOP MOUNTING
- 5 : BOTTOM MOUNTING

mat'l. code				tolerances unless otherwise specified				CUSTOMER COPY		 www.fciconnect.com	
ltr	ecr no	dr	date	linear	.X±.3		projection	title			
A	V50549	SSD	7/20/95		.XX±.13		 MM	68 POS. EJECTOR HEADER ASSY.			
B	V00619	RGD	3/30/00	angles	.XXX±.051			FOR LOW VOLTAGE			
C	N05-0048	WB	05/29/03	dr	S.DUESTERHOEFT	7/20/95	scale	product family	MCS	code	—
				enfr	D.BRANN	7/20/95	1:1	size	dwg no	sheet	
				chr	D.BRANN	7/20/92		A4	95706	1 of 5	
				appd	D.BRANN	7/20/95					
sheet index	revision sheet	C	C	C	C	C					
		1	2	3	4	5					

ACAD

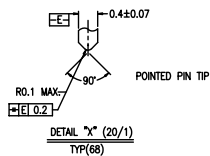
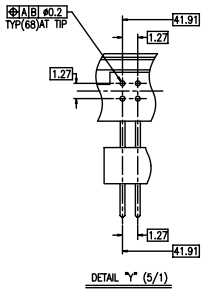
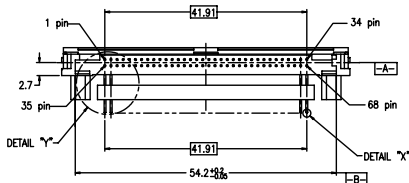
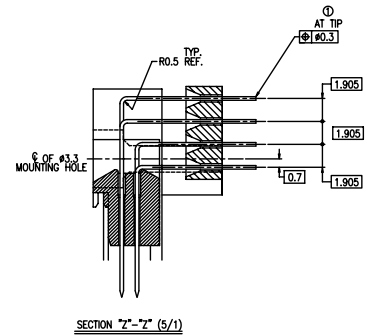
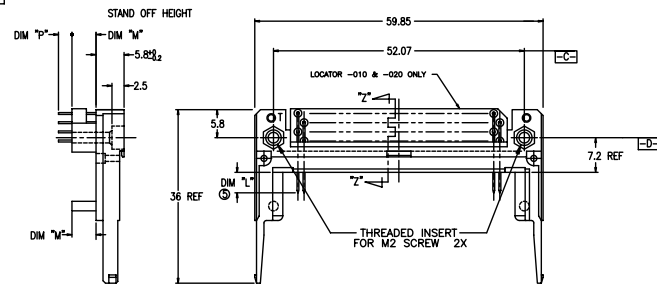
PDM: Rev:C

STATUS: Released 26 Printed: Jan 17, 2011

Tous droits strictement réservés. Reproduction ou communication à des tiers
interdite sous quelque forme que ce soit sans autorisation écrite du propriétaire.
Propriété de c FCI. Droits de reproduction FCI.

All rights strictly reserved. Reproduction or issue to third parties in any
form whatever is not permitted without written authority from the proprietor.
Property of FCI. Copyright FCI.

PRODUCT NO.
95706-010/010LF
95706-020/020LF
95706-040/040LF



NOTES

- ① TRUE POSITION IS A FREE GRID TO PIN PATTERN ITSELF.
- ② SEE TA-946 FOR PCB LAYOUT.

- ③ MATERIAL : LCP UL94V-0 BLACK.
PIN : PHOSPHOR BRONZE.

- ④ FINISH PIN : UNDER PLATING : 0.5µm MIN. Ni.
CONTACT AREA : 0.1µm MIN. Au.
OVER 0.5µm MIN. Pd-Ni.
- SOLDER AREA(TIN LEAD OPTION): 2.5µm MIN. Sn-Pb
SOLDER AREA(LEAD FREE OPTION): 2.5µm MIN. PURE TIN

⑤ SEQUENCE PIN ASSIGNMENT

PIN No.	OTHERS	475±0.1	3.5±0.1	5.0±0.1
		17.24	33.508	

- ⑥ GENERAL TOLERANCE : ±0.3
- ⑦ IF LEAD FREE P/N. THE HOUSING WILL WITHSTAND EXPOSURE TO 260°C PEAK TEMPERATURE SOLDER TAIL : SMT-IL, SMT-STG CAN RESIST 40 SECONDS IN A CONVECTION, INFRA-RED OR VAPOR PHASE REFLOW OVEN.
SOLDER TAIL : R/A CAN RESIST 10 SECONDS IN A WAVE SOLDER APPLICATION WITH A 1.00MM MINIMUM THICK CIRCUIT BOARD.
- ⑧ IF LEAD FREE P/N PACKAGING MEETS GS-14-920 SPECIFICATION

mat'l. code		tolerances unless otherwise specified		CUSTOMER COPY		Electronics www.fciconnect.com	
ltr	ecn no	dr	date	linear	projection	title	
c				angles	MM	68 POS. EJECTOR HEADER ASSY. FOR LOW VOLTAGE	
				dr	scale	product family	code
				enfr	1:1	MCS	-
				chr		size	sheet
				appd		dwg no	3 of
sheet	revision					95706	
index	sheet						

ACAD

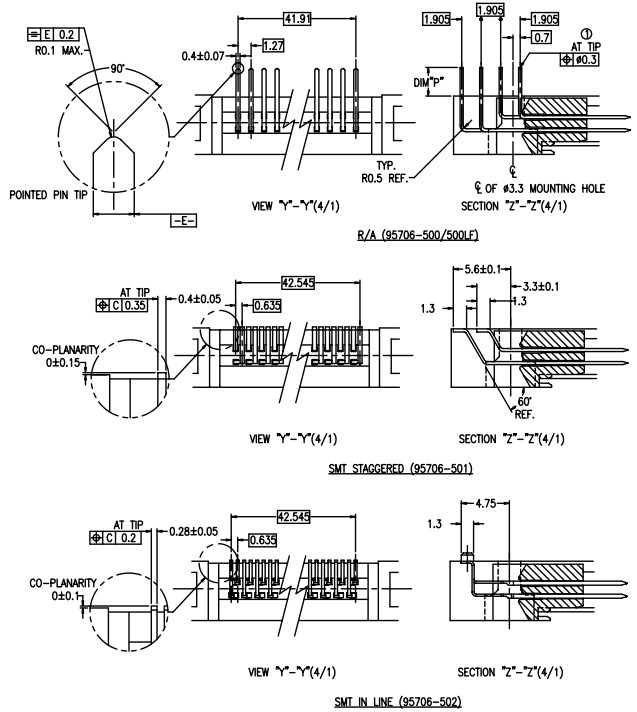
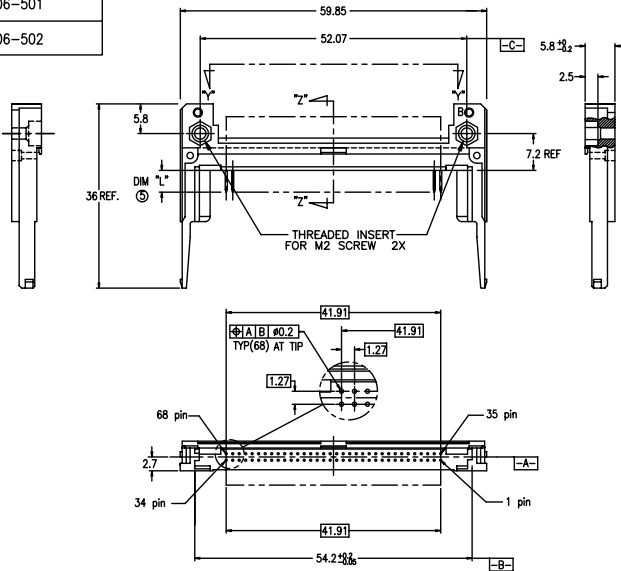
PDM: Rev:C

STATUS: Released
Printed: Jan 17, 2011

Tous droits strictement réservés. Reproduction ou communication à des tiers
interdite sous quelque forme que ce soit sans autorisation écrite du propriétaire.
Propriété de c FCI. Droits de reproduction FCI.

All rights strictly reserved. Reproduction or issue to third parties in any
form whatever is not permitted without written authority from the proprietor.
Property of FCI. Copyright FCI.

PRODUCT NO.
95706-500/500LF
95706-501
95706-502



NOTES

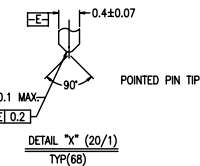
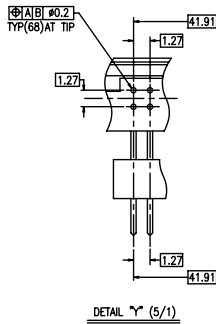
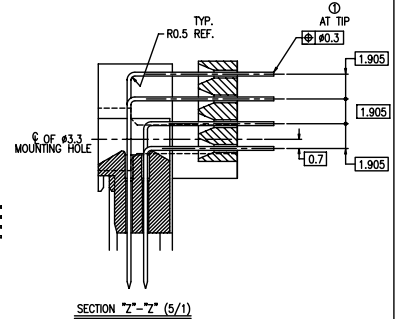
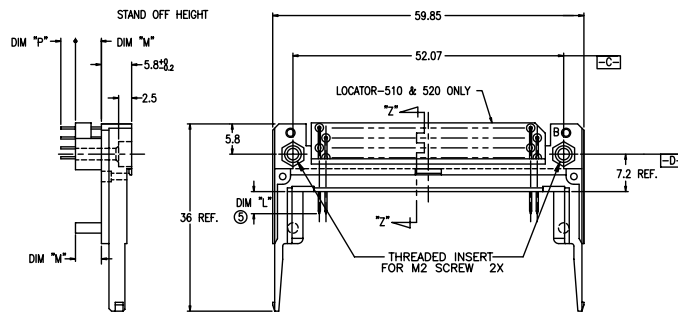
- TRUE POSITION IS A FREE GRID TO PIN PATTERN ITSELF
 - SEE TA-946 FOR PCB LAYOUT
 - MATERIAL
HOUSING : LCP UL94V-0 NATURAL
PIN : PHOSPHOR BRONZE
 - FINISH
PIN
UNDER PLATING : 0.5µm MIN. Ni
CONTACT AREA : 0.1µm MIN. Au
OVER 0.5µm MIN. Pd-Ni
SOLDER AREA(TIN LEAD OPTION): 2.5µm MIN. Sn-Pb
SOLDER AREA(LEAD FREE OPTION): 2.5µm MIN. PURE TIN
 - SEQUENCE PIN ASSIGNMENT
- | | | |
|----------|---------|---------|
| | DM | 1* |
| 4.25±0.1 | 3.5±0.1 | 5.0±0.1 |
| PIN No. | OTHERS | 36.67 |
- GENERAL TOLERANCE : ±0.3
 - IF LEAD FREE P/N, THE HOUSING WILL WITHSTAND EXPOSURE TO 260°C PEAK TEMPERATURE
SOLDER TAIL : SMT-IL, SMT-STG CAN RESIST 40 SECONDS IN A CONVECTION, INFRA-RED OR VAPOR PHASE REFLOW OVEN.
SOLDER TAIL : R/A CAN RESIST 10 SECONDS IN A WAVE SOLDER APPLICATION WITH A 1.00MM MINIMUM THICK CIRCUIT BOARD.
 - IF LEAD FREE P/N PACKAGING MEETS GS-14-920 SPECIFICATION

mat'l. code		tolerances unless otherwise specified		CUSTOMER COPY		Electronics www.fciconnect.com	
ltr	ecn no	dr	date	linear	.X±.3	projection	title
				angles	.XX±.13		68 POS. EJECTOR HEADER ASSY. FOR LOW VOLTAGE
				dr	S.DUESTERHOEFT 7/20/95	MM	product family MCS
				enrg	D.BRANN 7/20/95		code -
				chr	D.BRANN 7/20/92	1:1	size dwg no
				appd	D.BRANN 7/20/95	A4	95706
sheet	revision						sheet
index	sheet						4 of

Tous droits strictement réservés. Reproduction ou communication à des tiers
interdite sous quelque forme que ce soit sans autorisation écrite du propriétaire.
Propriété de c FCI. Droits de reproduction FCI.

All rights strictly reserved. Reproduction or issue to third parties in any
form whatever is not permitted without written authority from the proprietor.
Property of FCI. Copyright FCI.

PRODUCT NO.
95706-510/510LF
95706-520/520LF
95706-540/540LF



NOTES

- TRUE POSITION IS A FREE GRID TO PIN PATTERN ITSELF
 - SEE TA-946 FOR PCB LAYOUT
 - MATERIAL
HOUSING : LCP UL94V-0 NATURAL
PIN : PHOSPHOR BRONZE
 - FINISH PIN
UNDER PLATING : 0.5µm MIN. Ni
CONTACT AREA : 0.1µm MIN. Au
OVER 0.5µm MIN. Pd-Ni
SOLDER AREA(TIN LEAD OPTION): 2.5µm MIN. Sn-Pb
SOLDER AREA(LEAD FREE OPTION): 2.5µm MIN. PURE TIN
 - SEQUENCE PIN ASSIGNMENT
- | | DIM Y* | DIM X* |
|----|----------|---------|
| 68 | 4.25±0.1 | 3.5±0.1 |
| 67 | 3.5±0.1 | 3.5±0.1 |
| 66 | 3.5±0.1 | 3.5±0.1 |
| 65 | 3.5±0.1 | 3.5±0.1 |
| 64 | 3.5±0.1 | 3.5±0.1 |
| 63 | 3.5±0.1 | 3.5±0.1 |
| 62 | 3.5±0.1 | 3.5±0.1 |
| 61 | 3.5±0.1 | 3.5±0.1 |
| 60 | 3.5±0.1 | 3.5±0.1 |
| 59 | 3.5±0.1 | 3.5±0.1 |
| 58 | 3.5±0.1 | 3.5±0.1 |
| 57 | 3.5±0.1 | 3.5±0.1 |
| 56 | 3.5±0.1 | 3.5±0.1 |
| 55 | 3.5±0.1 | 3.5±0.1 |
| 54 | 3.5±0.1 | 3.5±0.1 |
| 53 | 3.5±0.1 | 3.5±0.1 |
| 52 | 3.5±0.1 | 3.5±0.1 |
| 51 | 3.5±0.1 | 3.5±0.1 |
| 50 | 3.5±0.1 | 3.5±0.1 |
| 49 | 3.5±0.1 | 3.5±0.1 |
| 48 | 3.5±0.1 | 3.5±0.1 |
| 47 | 3.5±0.1 | 3.5±0.1 |
| 46 | 3.5±0.1 | 3.5±0.1 |
| 45 | 3.5±0.1 | 3.5±0.1 |
| 44 | 3.5±0.1 | 3.5±0.1 |
| 43 | 3.5±0.1 | 3.5±0.1 |
| 42 | 3.5±0.1 | 3.5±0.1 |
| 41 | 3.5±0.1 | 3.5±0.1 |
| 40 | 3.5±0.1 | 3.5±0.1 |
| 39 | 3.5±0.1 | 3.5±0.1 |
| 38 | 3.5±0.1 | 3.5±0.1 |
| 37 | 3.5±0.1 | 3.5±0.1 |
| 36 | 3.5±0.1 | 3.5±0.1 |
| 35 | 3.5±0.1 | 3.5±0.1 |
| 34 | 3.5±0.1 | 3.5±0.1 |
| 33 | 3.5±0.1 | 3.5±0.1 |
| 32 | 3.5±0.1 | 3.5±0.1 |
| 31 | 3.5±0.1 | 3.5±0.1 |
| 30 | 3.5±0.1 | 3.5±0.1 |
| 29 | 3.5±0.1 | 3.5±0.1 |
| 28 | 3.5±0.1 | 3.5±0.1 |
| 27 | 3.5±0.1 | 3.5±0.1 |
| 26 | 3.5±0.1 | 3.5±0.1 |
| 25 | 3.5±0.1 | 3.5±0.1 |
| 24 | 3.5±0.1 | 3.5±0.1 |
| 23 | 3.5±0.1 | 3.5±0.1 |
| 22 | 3.5±0.1 | 3.5±0.1 |
| 21 | 3.5±0.1 | 3.5±0.1 |
| 20 | 3.5±0.1 | 3.5±0.1 |
| 19 | 3.5±0.1 | 3.5±0.1 |
| 18 | 3.5±0.1 | 3.5±0.1 |
| 17 | 3.5±0.1 | 3.5±0.1 |
| 16 | 3.5±0.1 | 3.5±0.1 |
| 15 | 3.5±0.1 | 3.5±0.1 |
| 14 | 3.5±0.1 | 3.5±0.1 |
| 13 | 3.5±0.1 | 3.5±0.1 |
| 12 | 3.5±0.1 | 3.5±0.1 |
| 11 | 3.5±0.1 | 3.5±0.1 |
| 10 | 3.5±0.1 | 3.5±0.1 |
| 9 | 3.5±0.1 | 3.5±0.1 |
| 8 | 3.5±0.1 | 3.5±0.1 |
| 7 | 3.5±0.1 | 3.5±0.1 |
| 6 | 3.5±0.1 | 3.5±0.1 |
| 5 | 3.5±0.1 | 3.5±0.1 |
| 4 | 3.5±0.1 | 3.5±0.1 |
| 3 | 3.5±0.1 | 3.5±0.1 |
| 2 | 3.5±0.1 | 3.5±0.1 |
| 1 | 3.5±0.1 | 3.5±0.1 |
- GENERAL TOLERANCE : ±0.3
 - IF LEAD FREE P/N, THE HOUSING WILL WITHSTAND EXPOSURE TO 260°C PEAK TEMPERATURE
SOLDER TAIL : SMT-IL, SMT-STG CAN RESIST 40 SECONDS IN A CONVECTION, INFRA-RED OR VAPOR PHASE REFLOW OVEN.
SOLDER TAIL : R/A CAN RESIST 10 SECONDS IN A WAVE SOLDER APPLICATION WITH A 1.00MM MINIMUM THICK CIRCUIT BOARD.
 - IF LEAD FREE P/N PACKAGING MEETS GS-14-920 SPECIFICATION

mat'l. code		tolerances unless otherwise specified		CUSTOMER COPY		 www.fciconnect.com	
ltr	ecn no	dr	date	linear	projection	title	
						68 POS. EJECTOR HEADER ASSY. FOR LOW VOLTAGE	
				angles		product family	code
				dr	S.DUESTERHOEFT	MCS	-
				enfr	D.BRANN	size	dwg no
				chr	D.BRANN	7/20/92	95706
				appd	D.BRANN	7/20/95	5 of
sheet	revision			scale	1:1	cage code	
index	sheet						