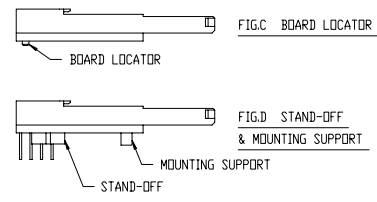
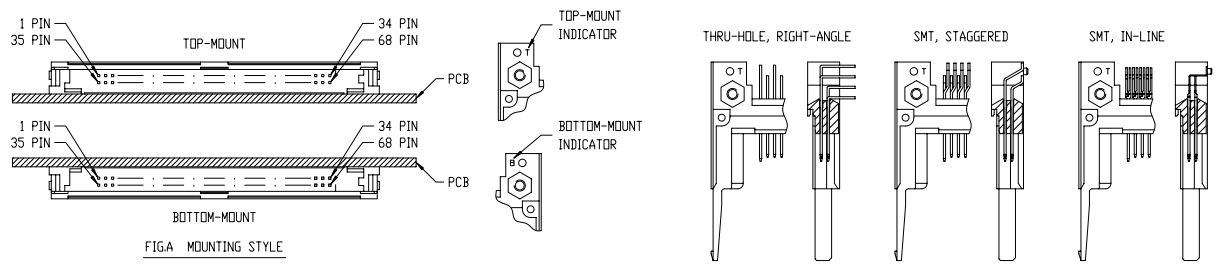


Tous droits strictement réservés. Reproduction ou communication a des tiers interdite sous quelque forme que ce soit sans autorisation écrite du propriétaire. Property of FCI. Droits de reproduction FCI.

All rights strictly reserved. Reproduction or issue to third parties in any form whatever is not permitted without written authority from the proprietor. Property of FCI. Copyright FCI.

PRODUCT NO.	MOUNTING STYLE	COLOR	SOLDER-TAIL STYLE	BOARD LOCATOR	STAND-OFF	MOUNTING SUPPORT	PAGE	APPLICATION DRAWING			
92856-000/000LF	TOP-MOUNT	BLACK	THRU-HOLE, R/A	NO	NO	NO	2	REFER TO TA-946 FOR BOARD LAYOUT			
92856-040/040LF					2 mm	2 mm	4				
92856-010/040LF					4 mm	4 mm	16				
92856-020/020LF					5 mm	5 mm	6				
92856-080/080LF					2 mm	NO	14				
92856-090/090LF			5 mm	NO	15						
92856-001/001LF			BOTTOM-MOUNT	NATURAL	SMT, STAGGERED (DOUBLE-ROW)	YES	NO		NO	8	
92856-002/002LF					SMT, IN-LINE (SINGLE-ROW)					10	
92856-003/003LF					THRU-HOLE, R/A					12	
92856-500/500LF					THRU-HOLE, R/A					NO	NO
92856-540/540LF	2 mm	2 mm									5
92856-510/510LF	4 mm	4 mm									17
92856-520/520LF	5 mm	5 mm									7
92856-501/501LF	SMT, STAGGERED (DOUBLE-ROW)	YES	NO	NO		9					
92856-502/502LF	SMT, IN-LINE (SINGLE-ROW)				11						
92856-503/503LF	THRU-HOLE, R/A				13						

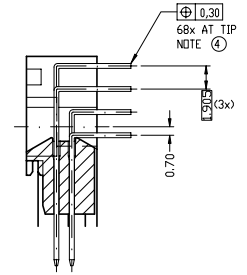
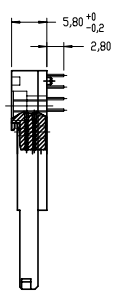
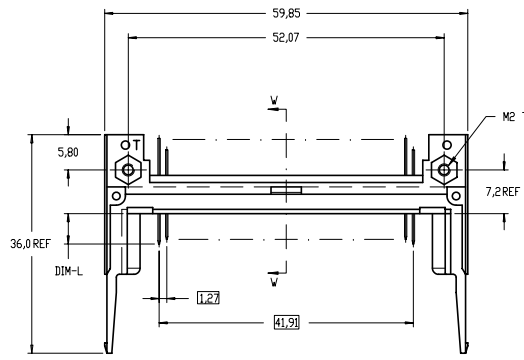


mat'l. code				tolerances unless otherwise specified				CUSTOMER COPY		A FCI www.fciconnect.com										
ltr	ecn no	dr	date	linear	±.3	projection	title 68P EJECTOR HEADER ASSEMBLY FOR PCMCIA/JEIDA TYPE-I/II/III HEADER ASSEMBLY													
E	N04-0105	WB	11/26/04	angles	0° ±2°	MM	product family	PCMCIA				code								
				dr	WB JIANG	11/26/04	size	dwg no				NT								
				enrg	WB JIANG	11/26/04	scale	A 92856				sheet								
				chr	WB JIANG	11/26/04	N.T.S.					1 of 17								
				appd	JASON ZHOU	11/26/04														
sheet index	revision sheet	1	2	3	4	5	6	7	8	9	10	11	12	13	14	15	16	17		

Tous droits strictement réservés. Reproduction ou communication a des tiers interdite sous quelque forme que ce soit sans autorisation écrite du propriétaire. Propriété de c FCI. Droits de reproduction FCI.

All rights strictly reserved. Reproduction or issue to third parties in any form or by any means, electronic or mechanical, is not permitted without written authority from the proprietor. Property of FCI. Copyright FCI.

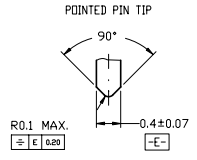
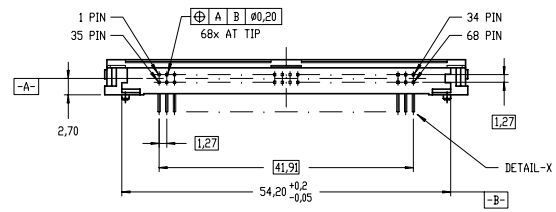
PRODUCT NO.	MOUNTING STYLE	COLOR	SOLDER-TAIL STYLE	STAND-OFF	MOUNTING SUPPORT	BOARD LOCATOR
92856-000/000LF	TOP-MOUNT	BLACK	THRU-HOLE, R/A	NO	NO	NO



SECTION W-W (SCALE 3 : 1)

NOTES :

- SEE TA-946 FOR PCB LAYOUT.
- MATERIAL  
PLASTIC : LCP UL94V-0  
PIN : PHOSPHOR BRONZE
- FINISH (PIN)  
UNDER-PLATING : 0.5 um MIN. Ni  
CONTACT AREA : 0.1 um Au OVER 0.5 um MIN. Pd-Ni  
SOLDER AREA : 2.5um MIN. Sn-Pb
- TRUE POSITION IS A FREE GRID TO THE PIN PATTERN ITSELF.
- IF LEAD FREE P/N. THE HOUSING WILL WITHSTAND EXPOSURE TO 260°C PEAK TEMPERATURE FOR 10 SECONDS IN A WAVE SOLDER APPLICATION WITH A 100MM MINIMUM THICK CIRCUIT BOARD.
- LEAD FREE PRODUCT MEETS EUROPEAN UNION DIRECTIVES AND OTHER COUNTRY REGULATIONS AS DISCRIBED IN GS-22-008
- IF LEAD FREE P/N. PACKAGING MEETS GS-14-920 SPECIFICATION



DETAIL-X (SCALE 15 : 1)

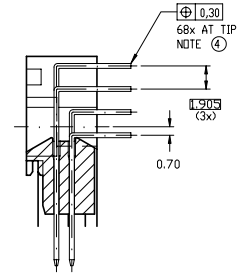
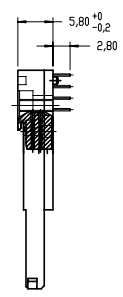
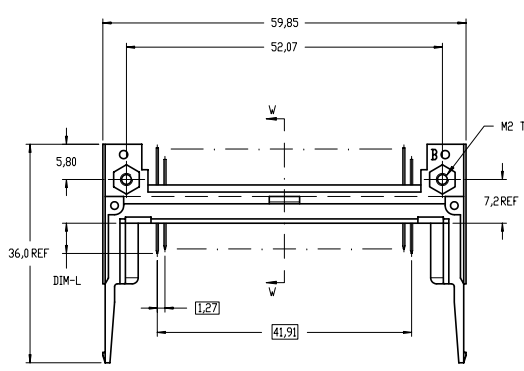
PIN NO.	36 , 67	1 , 17 , 34 35 , 51 , 68	OTHERS
DIM-L	3,50 ± 0,10	5,00 ± 0,10	4,25 ± 0,10

mat'l. code		tolerances unless otherwise specified		CUSTOMER COPY		 www.fciconnect.com	
ltr	ecn no	dr	date	linear	±.3	projection	title
E				angles	0° ± 2°		68P EJECTOR HEADER ASSEMBLY FOR PCMCIA/JEIDA TYPE-I/II/III HEADER ASSEMBLY
				dr	WB JIANG 11/26/04	MM	product family
				enrg	WB JIANG 11/26/04	→	PCMCIA
				chr	WB JIANG 11/26/04	scale	size
				appd	JASON ZHOU 11/26/04	N.T.S.	dwg no
sheet	revision						92856
index	sheet						code
							NT
							sheet
							2 of

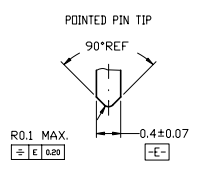
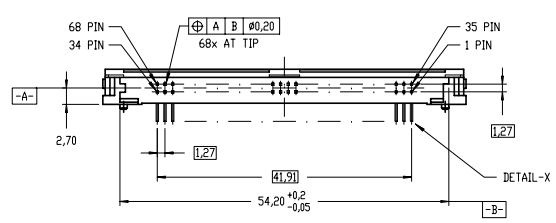
Tous droits strictement réservés. Reproduction ou communication à des tiers interdite sous quelque forme que ce soit sans autorisation écrite du propriétaire. Propriété de FCI. Droits de reproduction FCI.

All rights strictly reserved. Reproduction or issue to third parties in any form or by whatever means is not permitted without written authority from the proprietor. Property of FCI. Copyright FCI.

PRODUCT NO.	MOUNTING STYLE	COLOR	SOLDER-TAIL STYLE	STAND-OFF	MOUNTING SUPPORT	BOARD LOCATOR
P2856-500/500LF	BOTTOM-MOUNT	NATURAL	THRU-HOLE, R/A	NO	NO	NO



SECTION W-W (SCALE 3 : 1)



DETAIL-X (SCALE 15 : 1)

NOTES :

- SEE TA-946 FOR PCB LAYOUT.
- MATERIAL  
PLASTIC : LCP UL94V-0  
PIN : PHOSPHOR BRONZE
- FINISH (PIN)  
UNDER-PLATING : 0.5 um MIN. Ni  
CONTACT AREA : 0.1 um Au OVER 0.5 um MIN. Pd-Ni  
SOLDER AREA (TIN LEAD OPTION): 2.5um MIN. Sn-Pb  
SOLDER AREA (LEAD FREE OPTION): 2.5um MIN. PURE TIN
- TRUE POSITION IS A FREE GRID TO THE PIN PATTERN ITSELF.
- IF LEAD FREE P/N. THE HOUSING WILL WITHSTAND EXPOSURE TO 260°C PEAK TEMPERATURE FOR 10 SECONDS IN A WAVE SOLDER APPLICATION WITH A 100MM MINIMUM THICK CIRCUIT BOARD.
- LEAD FREE PRODUCT MEETS EUROPEAN UNION DIRECTIVES AND OTHER COUNTRY REGULATIONS AS DISCRIBED IN GS-22-008
- IF LEAD FREE P/N. PACKAGING MEETS GS-14-920 SPECIFICATION

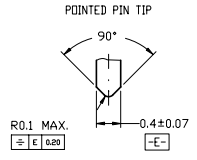
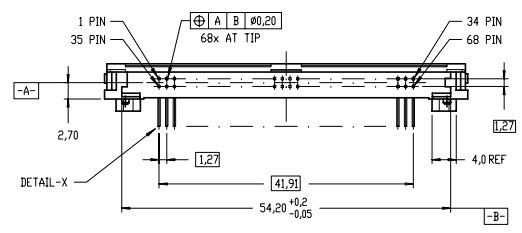
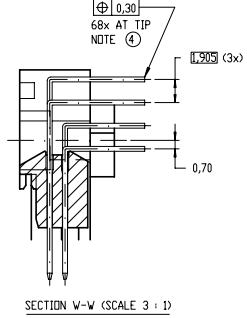
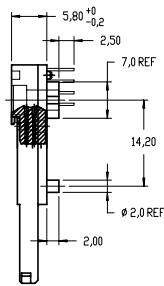
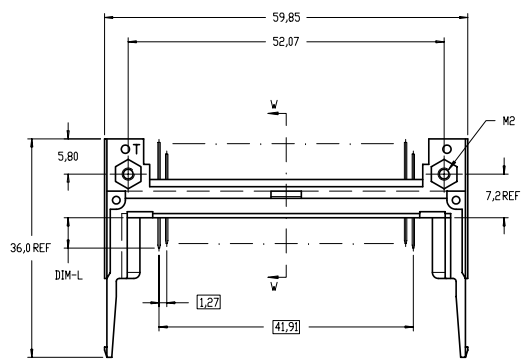
PIN NO.	36 , 67	1 , 17 , 34 35 , 51 , 68	OTHERS
DIM-L	3,50 ± 0,10	5,00 ± 0,10	4,25 ± 0,10

mat'l. code		tolerances unless otherwise specified		CUSTOMER COPY		 www.fciconnect.com	
ltr	ecn no	dr	date	linear	±.3	projection	title
E				angles	0° ±2°		68P EJECTOR HEADER ASSEMBLY FOR PCMCIA/JEIDA TYPE-I/II/III HEADER ASSEMBLY
				dr	WB JIANG 11/26/04	MM	product family PCMCIA
				enrg	WB JIANG 11/26/04	scale	size dwg no
				chr	WB JIANG 11/26/04	N.T.S.	code NT
				appd	JASON ZHOU 11/26/04	A	sheet 3 of
sheet index	revision sheet						

Tous droits strictement réservés. Reproduction ou communication a des tiers interdite sous quelque forme que ce soit sans autorisation écrite du propriétaire. Propriété de FCI. Droits de reproduction FCI.

All rights strictly reserved. Reproduction or issue to third parties in any form or by whatever means is not permitted without written authority from the proprietor. Property of FCI. Copyright FCI.

PRODUCT NO.	MOUNTING STYLE	COLOR	SOLDER-TAIL STYLE	STAND-OFF	MOUNTING SUPPORT	BOARD LOCATOR
P2856-040/040LF	TOP-MOUNT	BLACK	THRU-HOLE, R/A	2 mm	2 mm	NO



- NOTES :
- SEE TA-946 FOR PCB LAYOUT.
  - MATERIAL  
PLASTIC : LCP UL94V-0  
PIN : PHOSPHOR BRONZE
  - FINISH (PIN)  
UNDER-PLATING : 0.5 um MIN. Ni  
CONTACT AREA : 0.1 um Au OVER 0.5 um MIN. Pd-Ni  
SOLDER AREA (TIN LEAD OPTION): 2.5um MIN. Sn-Pb  
SOLDER AREA (LEAD FREE OPTION): 2.5um MIN. PURE TIN
  - TRUE POSITION IS A FREE GRID TO THE PIN PATTERN ITSELF.
  - IF LEAD FREE P/N. THE HOUSING WILL WITHSTAND EXPOSURE TO 260°C PEAK TEMPERATURE FOR 10 SECONDS IN A WAVE SOLDER APPLICATION WITH A 100MM MINIMUM THICK CIRCUIT BOARD.
  - LEAD FREE PRODUCT MEETS EUROPEAN UNION DIRECTIVES AND OTHER COUNTRY REGULATIONS AS DISCRIBED IN GS-22-008
  - IF LEAD FREE P/N. PACKAGING MEETS GS-14-920 SPECIFICATION

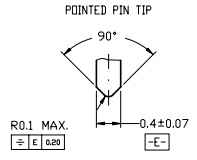
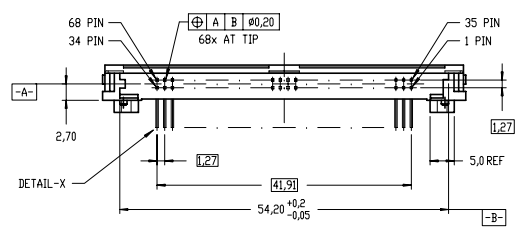
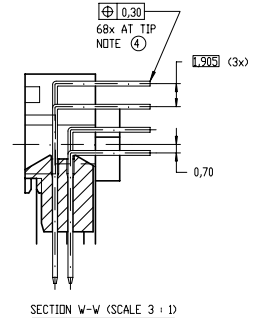
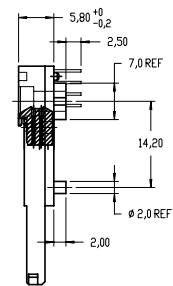
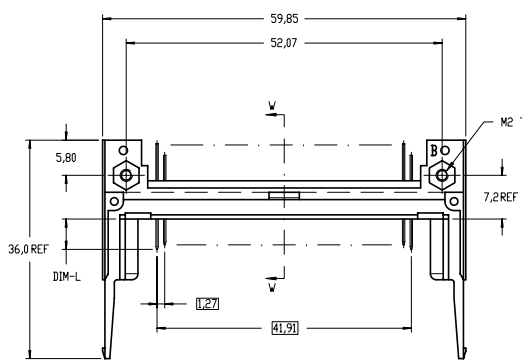
PIN NO.	36 , 67	1 , 17 , 34 35 , 51 , 68	OTHERS
DIM-L	3,50 ± 0,10	5,00 ± 0,10	4,25 ± 0,10

mat'l. code		tolerances unless otherwise specified		CUSTOMER COPY		 www.fciconnect.com	
ltr	ecn no	dr	date	linear	±.3	projection	title
E				angles	0° ±2°		68P EJECTOR HEADER ASSEMBLY FOR PCMCIA/JEIDA TYPE-I/II/III HEADER ASSEMBLY
				dr	WB JIANG 11/26/04	MM	product family PCMCIA
				enrg	WB JIANG 11/26/04	scale	size
				chr	WB JIANG 11/26/04	N.T.S.	dwg no
				appd	JASON ZHOU 11/26/04	A	92856
sheet index	revision sheet						code NT
							sheet 4 of

Tous droits strictement réservés. Reproduction ou communication a des tiers interdite sous quelque forme que ce soit sans autorisation écrite du propriétaire. Propriété de FCI. Droits de reproduction FCI.

All rights strictly reserved. Reproduction or issue to third parties in any form or by whatever means is not permitted without written authority from the proprietor. Property of FCI. Copyright FCI.

PRODUCT NO.	MOUNTING STYLE	COLOR	SOLDER-TAIL STYLE	STAND-OFF	MOUNTING SUPPORT	BOARD LOCATOR
92856-540/540LF	BOTTOM-MOUNT	NATURAL	THRU-HOLE, R/A	2 mm	2 mm	NO



- NOTES :
- SEE TA-946 FOR PCB LAYOUT.
  - MATERIAL  
PLASTIC : LCP UL94V-0  
PIN : PHOSPHOR BRONZE
  - FINISH (P/N)  
UNDER-PLATING : 0.5 µm MIN. Ni  
CONTACT AREA : 0.1 µm Au OVER 0.5 µm MIN. Pd-Ni  
SOLDER AREA (TIN LEAD OPTION): 2.5µm MIN. Sn-Pb  
SOLDER AREA (LEAD FREE OPTION): 2.5µm MIN. PURE TIN
  - TRUE POSITION IS A FREE GRID TO THE PIN PATTERN ITSELF.
  - IF LEAD FREE P/N. THE HOUSING WILL WITHSTAND EXPOSURE TO 260°C PEAK TEMPERATURE FOR 10 SECONDS IN A WAVE SOLDER APPLICATION WITH A 100MM MINIMUM THICK CIRCUIT BOARD.
  - LEAD FREE PRODUCT MEETS EUROPEAN UNION DIRECTIVES AND OTHER COUNTRY REGULATIONS AS DESCRIBED IN GS-22-008
  - IF LEAD FREE P/N. PACKAGING MEETS GS-14-920 SPECIFICATION

PIN NO.	36 , 67	1 , 17 , 34 35 , 51 , 68	OTHERS
DIM-L	3,50 ± 0,10	5,00 ± 0,10	4,25 ± 0,10

mat'l. code		tolerances unless otherwise specified		CUSTOMER COPY		 www.fciconnect.com	
ltr	ecn no	dr	date	linear	±.3	projection	title
E				angles	0° ± 2°		68P EJECTOR HEADER ASSEMBLY FOR PCMCIA/JEIDA TYPE-I/II/III HEADER ASSEMBLY
				dr	WB JIANG 11/26/04	MM	product family PCMCIA code NT
				enrg	WB JIANG 11/26/04	scale	size dwg no
				chr	WB JIANG 11/26/04	N.T.S.	92856
				appd	JASON ZHOU 11/26/04		sheet 5 of
sheet index	revision sheet						

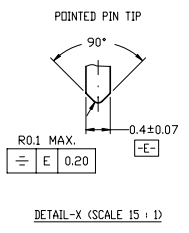
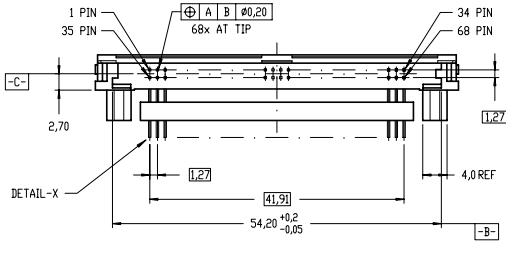
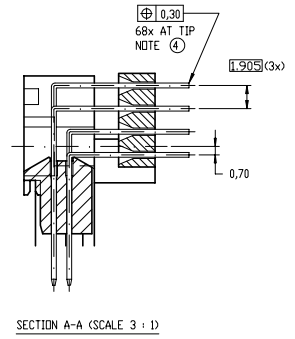
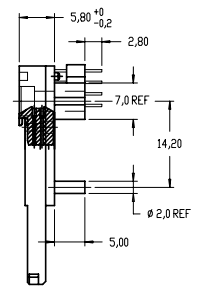
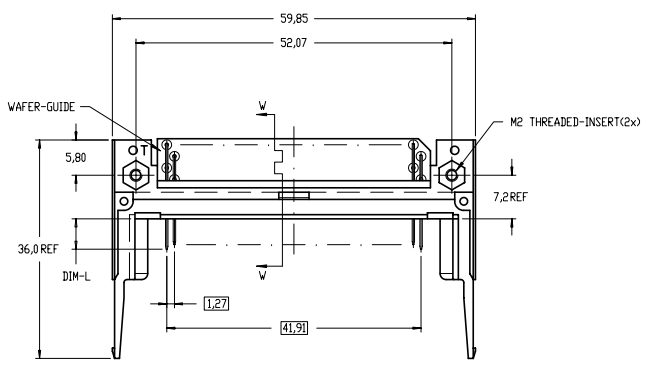
ACAD PDM: Rev:E STATUS Released 2526 cage code 2526 Printed: Oct 12, 2010

Tous droits strictement réservés. Reproduction ou communication a des tiers interdite sous quelque forme que ce soit sans autorisation écrite du propriétaire. Propriété de FCI. Droits de reproduction FCI.

FCI

All rights strictly reserved. Reproduction or issue to third parties in any form or by any means, in whatever is not permitted without written authority from the proprietor. Property of FCI. Copyright FCI.

PRODUCT NO.	MOUNTING STYLE	COLOR	SOLDER-TAIL STYLE	STAND-OFF	MOUNTING SUPPORT	BOARD LOCATOR
92856-020/020LF	TOP-MOUNT	BLACK	THRU-HOLE, R/A	5 mm	5 mm	ND



- NOTES :
- SEE TA-946 FOR PCB LAYOUT.
  - MATERIAL :  
PLASTIC : LCP UL94V-0  
PIN : PHOSPHOR BRONZE
  - FINISH (PIN) :  
UNDER-PLATING : 0,5 µm MIN. Ni  
CONTACT AREA : 0,1 µm Au OVER 0,5 µm MIN. Pd-Ni  
SOLDER AREA (TIN LEAD OPTION) : 2,5µm MIN. Sn-Pb  
SOLDER AREA(LEAD FREE OPTION) : 2,5µm MIN. PURE TIN
  - IF LEAD FREE P/N, THE HOUSING WILL WITHSTAND EXPOSURE TO 260°C PEAK TEMPERATURE FOR 10 SECONDS IN A WAVE SOLDER APPLICATION WITH A 1,00MM MINIMUM THICK CIRCUIT BOARD.
  - LEAD FREE PRODUCT MEETS EUROPEAN UNION DIRECTIVES AND OTHER COUNTRY REGULATIONS AS DESCRIBED IN GS-22-008
  - IF LEAD FREE P/N, PACKAGING MEETS GS-14-920 SPECIFICATION

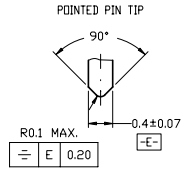
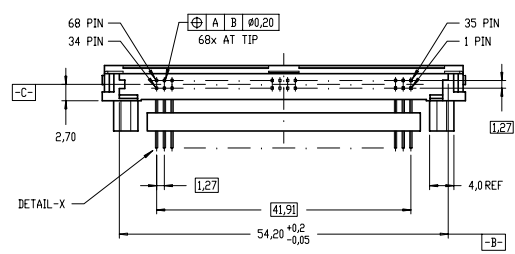
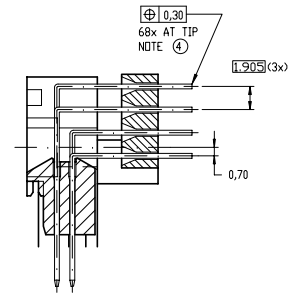
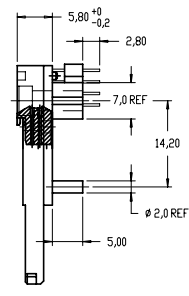
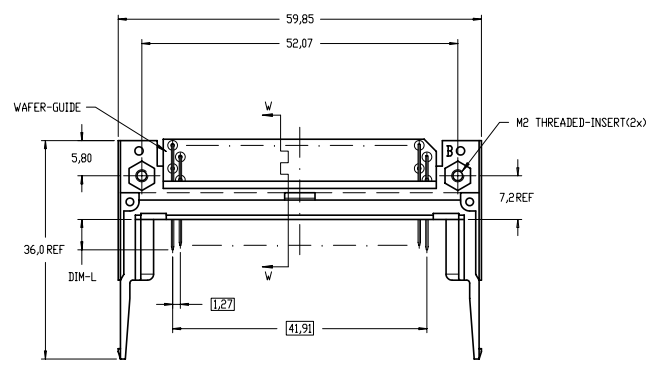
PIN NO.	36 , 67	1 , 17 , 34 35 , 51 , 68	OTHERS
DIM-L	3,50 ± 0,10	5,00 ± 0,10	4,25 ± 0,10

mat'l. code		tolerances unless otherwise specified		CUSTOMER COPY		 www.fciconnect.com	
ltr	ecn no	dr	date	linear	±.3	projection	title
E				angles	0° ±2°	MM	68P EJECTOR HEADER ASSEMBLY FOR PCMCIA/JEIDA TYPE-I/II/III HEADER ASSEMBLY
				dr	WB JIANG 11/26/04	product family	PCMCIA
				enrg	WB JIANG 11/26/04	size	dwg no
				chr	WB JIANG 11/26/04	scale	N.T.S.
				appd	JASON ZHOU 11/26/04	A	92856
sheet index	revision sheet						code NT
							sheet 6 of

Tous droits strictement réservés. Reproduction ou communication a des tiers interdite sous quelque forme que ce soit sans autorisation écrite du propriétaire. Propriété de FCI. Droits de reproduction FCI.

All rights strictly reserved. Reproduction or issue to third parties in any form or by any means, in whatever form is not permitted without written authority from the proprietor. Property of FCI. Copyright FCI.

PRODUCT NO.	MOUNTING STYLE	COLOR	SOLDER-TAIL STYLE	STAND-OFF	MOUNTING SUPPORT	BOARD LOCATOR
92856-S20/S20LF	BOTTOM-MOUNT	NATURAL	THRU-HOLE, R/A	5 mm	5 mm	NO



- NOTES :
- SEE TA-946 FOR PCB LAYOUT.
  - MATERIAL  
PLASTIC : LCP UL94V-0  
PIN : PHOSPHOR BRONZE
  - FINISH (PIN)  
UNDER-PLATING : 0.5  $\mu$ m MIN. Ni  
CONTACT AREA : 0.1  $\mu$ m Au OVER 0.5  $\mu$ m MIN. Pd-Ni  
SOLDER AREA (TIN LEAD OPTION): 2.5 $\mu$ m MIN. Sn-Pb  
SOLDER AREA (LEAD FREE OPTION): 2.5 $\mu$ m MIN. PURE TIN
  - TRUE POSITION IS A FREE GRID TO THE PIN PATTERN ITSELF.
  - IF LEAD FREE P/N. THE HOUSING WILL WITHSTAND EXPOSURE TO 260°C PEAK TEMPERATURE FOR 10 SECONDS IN A WAVE SOLDER APPLICATION WITH A 100MM MINIMUM THICK CIRCUIT BOARD.
  - LEAD FREE PRODUCT MEETS EUROPEAN UNION DIRECTIVES AND OTHER COUNTRY REGULATIONS AS DISCRIBLED IN GS-22-008
  - IF LEAD FREE P/N. PACKAGING MEETS GS-14-920 SPECIFICATION

PIN NO.	36, 67	1, 17, 34 35, 51, 68	OTHERS
DIM-L	3,50 ± 0,10	5,00 ± 0,10	4,25 ± 0,10

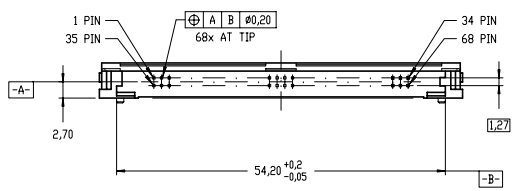
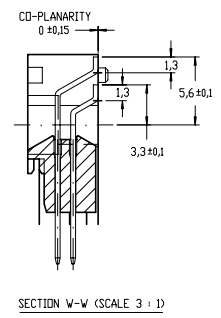
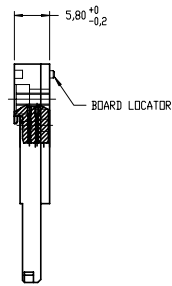
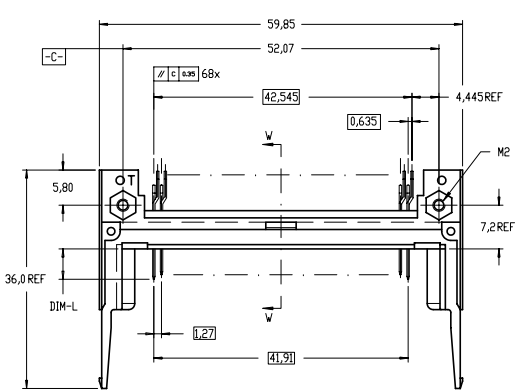
mat'l. code		tolerances unless otherwise specified		CUSTOMER COPY		 www.fciconnect.com	
ltr	ecn no	dr	date	linear	±.3	projection	title
E				angles	0° ±2°		68P EJECTOR HEADER ASSEMBLY FOR PCMCIA/JEIDA TYPE-I/II/III HEADER ASSEMBLY
				dr	WB JIANG 11/26/04	MM	product family PCMCIA code NT
				enrg	WB JIANG 11/26/04	scale	size dwg no 92856 sheet 7 of
				chr	WB JIANG 11/26/04	N.T.S.	
				appd	JASON ZHOU 11/26/04		
sheet index	revision sheet						

ACAD PDM: Rev:E STATUS Released 2526 cage code 2526 Printed: Oct 12, 2010

Tous droits strictement réservés. Reproduction ou communication à des tiers interdite sous quelque forme que ce soit sans autorisation écrite du propriétaire. Propriété de FCI. Droits de reproduction FCI.

All rights strictly reserved. Reproduction or issue to third parties in any form or in whatever is not permitted without written authority from the proprietor. Property of FCI. Copyright FCI.

PRODUCT NO.	MOUNTING STYLE	COLOR	SOLDER-TAIL STYLE	STAND-OFF	MOUNTING SUPPORT	BOARD LOCATOR
92856-001/001LF	TOP-MOUNT	BLACK	SMT, STAGGERED (DOUBLE-ROW)	NO	NO	YES



NOTES :

- SEE TA-946 FOR PCB LAYOUT.
- MATERIAL  
PLASTIC : LCP UL94V-0  
PIN : PHOSPHOR BRONZE
- FINISH (PIN)  
UNDER-PLATING : 0.5 µm MIN. Ni  
CONTACT AREA : 0.1 µm Au OVER 0.5 µm MIN. Pd-Ni  
SOLDER AREA (TIN LEAD OPTION) : 2.5µm MIN. Sn-Pb  
SOLDER AREA (LEAD FREE OPTION) : 2.5µm MIN. PURE TIN
- IF LEAD FREE P/N, THE HOUSING WILL WITHSTAND EXPOSURE TO 260°C PEAK TEMPERATURE FOR 40 SECONDS IN A CONVECTION, INFRA-RED OR VAPOR PHASE REFLOW OVEN.
- LEAD-FREE PRODUCT MEETS EUROPEAN UNION DIRECTIVES AND OTHER COUNTRY REGULATIONS AS DESCRIBED IN GS-22-008
- IF LEAD FREE P/N, PACKAGING MEETS GS-14-920 SPECIFICATION

PIN NO.	36, 67	1, 17, 34 35, 51, 68	OTHERS
DIM-L	3,50 ± 0,10	5,00 ± 0,10	4,25 ± 0,10

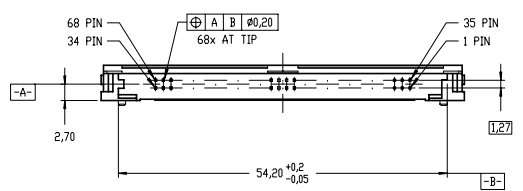
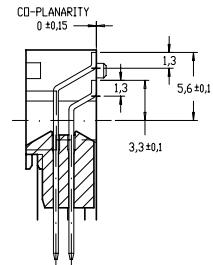
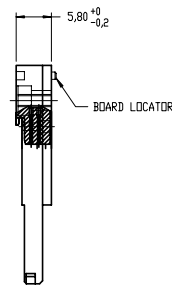
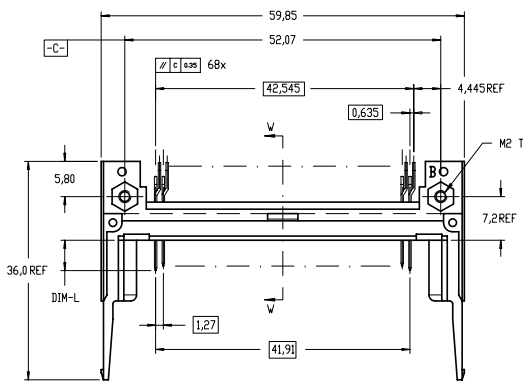
mat'l. code		tolerances unless otherwise specified		CUSTOMER COPY		 www.fciconnect.com	
ltr	ecr no	dr	date	linear	±.3	projection	title
E				angles	0° ± 2°		68P EJECTOR HEADER ASSEMBLY FOR PCMCIA/JEIDA TYPE-I/II/III HEADER ASSEMBLY
				dr	WB JIANG 11/26/04	MM	product family PCMCIA
				enrg	WB JIANG 11/26/04	scale	size dwg no
				chr	WB JIANG 11/26/04	N.T.S.	92856
				appd	JASON ZHOU 11/26/04		code NT
sheet index	revision sheet						sheet 8 of



Tous droits strictement réservés. Reproduction ou communication a des tiers interdite sous quelque forme que ce soit sans autorisation écrite du propriétaire. Propriété de FCI. Droits de reproduction FCI.

All rights strictly reserved. Reproduction or issue to third parties in any form whatsoever is not permitted without written authority from the proprietor. Property of FCI. Copyright FCI.

PRODUCT NO.	MOUNTING STYLE	COLOR	SOLDER-TAIL STYLE	STAND-OFF	MOUNTING SUPPORT	BOARD LOCATOR
92856-501/501LF	BOTTOM-MOUNT	NATURAL	SMT, STAGGERED (DOUBLE-ROW)	NO	NO	YES



NOTES :

- SEE TA-946 FOR PCB LAYOUT.
- MATERIAL  
PLASTIC : LCP UL94V-0  
PIN : PHOSPHOR BRONZE
- FINISH (PIN)  
UNDER-PLATING : 0,5 um MIN. Ni  
CONTACT AREA : 0,1 um Au OVER 0,5 um MIN. Pd-Ni  
SOLDER AREA (TIN LEAD OPTION): 2,5um MIN. Sn-Pb  
SOLDER AREA (LEAD FREE OPTION): 2,5um MIN. PURE TIN
- IF LEAD FREE P/N, THE HOUSING WILL WITHSTAND EXPOSURE TO 260°C PEAK TEMPERATURE FOR 40 SECONDS IN A CONVECTION, INFRA-RED OR VAPOR PHASE REFLOW OVEN.
- LEAD FREE PRODUCT MEETS EUROPEAN UNION DIRECTIVES AND OTHER COUNTRY REGULATIONS AS DISCRIBED IN GS-22-008
- IF LEAD FREE P/N, PACKAGING MEETS GS-14-920 SPECIFICATION

PIN NO.	36 , 67	1 , 17 , 34 35 , 51 , 68	OTHERS
DIM-L	3,50 ± 0,10	5,00 ± 0,10	4,25 ± 0,10

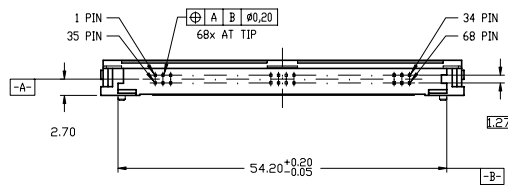
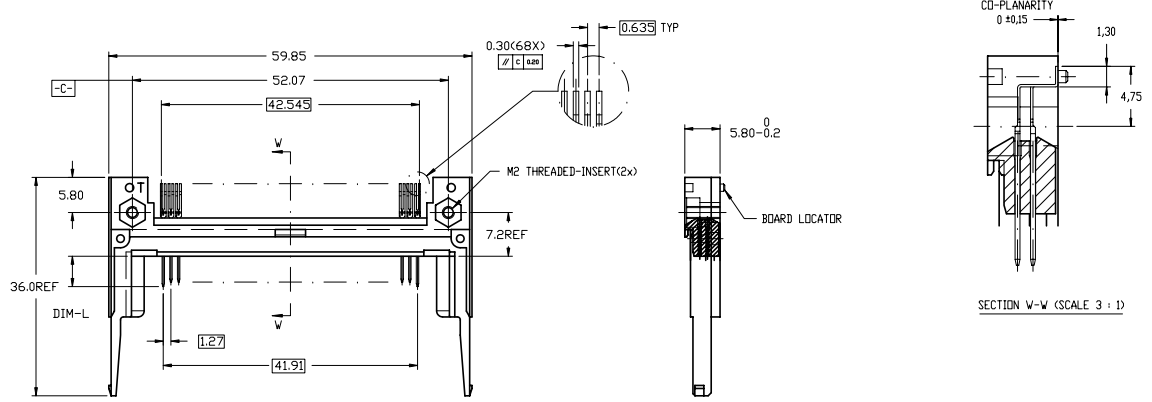
mat'l. code		tolerances unless otherwise specified		CUSTOMER COPY		 www.fciconnect.com	
ltr	ecn no	dr	date	linear	±.3	projection	title
E				angles	0° ±2°		68P EJECTOR HEADER ASSEMBLY FOR PCMCIA/JEIDA TYPE-I/II/III HEADER ASSEMBLY
				dr	WB JIANG	11/26/04	product family
				enrg	WB JIANG	11/26/04	PCMCIA
				chr	WB JIANG	11/26/04	size
				appd	JASON ZHOU	11/26/04	dwg no
							NT
sheet	revision			scale	N.T.S.	A	code
index	sheet						92856
							sheet
							09 of

Tous droits strictement réservés. Reproduction ou communication a des tiers interdite sous quelque forme que ce soit sans autorisation écrite du propriétaire. Propriété de c FCI. Droits de reproduction FCI.

FCI

All rights strictly reserved. Reproduction or issue to third parties in any form or by any means, whatever is not permitted without written authority from the proprietor. Property of FCI. Copyright FCI.

PRODUCT NO.	MOUNTING STYLE	COLOR	SOLDER-TAIL STYLE	STAND-OFF	MOUNTING SUPPORT	BOARD LOCATOR
92856-002/002LF	TOP-MOUNT	BLACK	SMT IN-LINE (SINGLE-ROW)	NO	NO	YES



- NOTES :
- SEE TA-946 FOR PCB LAYOUT.
  - MATERIAL :  
PLASTIC : LCP UL94V-0  
PIN : PHOSPHOR BRONZE
  - FINISH (PIN) :  
UNDER-PLATING : 0.5 um MIN. Ni  
CONTACT AREA : 0.1 um Au OVER 0.5 um MIN. Pd-Ni  
SOLDER AREA (TIN LEAD OPTION) : 2.5um MIN. Sn-Pb  
SOLDER AREA(LEAD FREE OPTION) : 2.5um MIN. PURE TIN
  - IF LEAD FREE P/N, THE HDUSING WILL WITHSTAND EXPOSURE TO 260°C PEAK TEMPERATURE FOR 40 SECONDS IN A CONVECTION, INFRA-RED OR VAPOR PHASE REFLOW OVEN.
  - LEAD FREE PRODUCT MEETS EUROPEAN UNION DIRECTIVES AND OTHER COUNTRY REGULATIONS AS DISCRIBED IN GS-22-008
  - IF LEAD FREE P/N, PACKAGING MEETS GS-14-920 SPECIFICATION

PIN NO.	36 , 67	1 , 17 , 34 35 , 51 , 68	OTHERS
DIM-L	3,50 ± 0,10	5,00 ± 0,10	4,25 ± 0,10

mat'l. code		tolerances unless otherwise specified		CUSTOMER COPY		 www.fciconnect.com	
ltr	ecn no	dr	date	linear	±.3	projection	title
E				angles	0° ±2°		68P EJECTOR HEADER ASSEMBLY FOR PCMCIA/JEIDA TYPE-I/II/III HEADER ASSEMBLY
				dr	WB JIANG	11/26/04	product family
				enrg	WB JIANG	11/26/04	PCMCIA
				chr	WB JIANG	11/26/04	size
				appd	JASON ZHOU	11/26/04	dwg no
							NT
sheet	revision			scale	N.T.S.	A	code
index	sheet						92856
							sheet
							10 of

Tous droits strictement réservés. Reproduction ou communication a des tiers interdite sous quelque forme que ce soit sans autorisation écrite du propriétaire. Propriété de FCI. Droits de reproduction FCI.

**FCI**

All rights strictly reserved. Reproduction or issue to third parties in any form or by any means, whatever is not permitted without written authority from the proprietor. Property of FCI. Copyright FCI.

PRODUCT NO.	MOUNTING STYLE	COLOR	SOLDER-TAIL STYLE	STAND-OFF	MOUNTING SUPPORT	BOARD LOCATOR
92856-502/502LF	BOTTOM-MOUNT	NATURAL	SMT IN-LINE (SINGLE-ROW)	NO	NO	YES

**NOTES :**

- SEE TA-946 FOR PCB LAYOUT.
- MATERIAL :  
PLASTIC : LCP UL94V-0  
PIN : PHOSPHOR BRONZE
- FINISH (PIN) :  
UNDER-PLATING : 0.5 um MIN. Ni  
CONTACT AREA : 0.1 um Au OVER 0.5 um MIN. Pd-Ni  
SOLDER AREA (TIN LEAD OPTION) : 2.5um MIN. Sn-Pb  
SOLDER AREA(LEAD FREE OPTION) : 2.5um MIN. PURE TIN
- IF LEAD FREE P/N, THE HOUSING WILL WITHSTAND EXPOSURE TO 260°C PEAK TEMPERATURE FOR 40 SECONDS IN A CONVECTION, INFRA-RED OR VAPOR PHASE REFLOW OVEN.
- LEAD FREE PRODUCT MEETS EUROPEAN UNION DIRECTIVES AND OTHER COUNTRY REGULATIONS AS DESCRIBED IN GS-22-008
- IF LEAD FREE P/N, PACKAGING MEETS GS-14-920 SPECIFICATION

PIN NO.		36 , 67	1 , 17 , 34 35 , 51 , 68	OTHERS
DIM-L		3,50 ± 0,10	5,00 ± 0,10	4,25 ± 0,10

mat'l. code		tolerances unless otherwise specified		CUSTOMER COPY	 www.fciconnect.com
ltr	ecn no	dr	date	linear	
E				angles	0° ±2°
				dr	WB JIANG 11/26/04
				enrg	WB JIANG 11/26/04
				chr	WB JIANG 11/26/04
				appd	JASON ZHOU 11/26/04
sheet index	revision sheet				

projection	title	product family	code
	68P EJECTOR HEADER ASSEMBLY FOR PCMCIA/JEIDA TYPE-I/II/III HEADER ASSEMBLY	PCMCIA	NT
scale	size	dwg no	sheet
N.T.S.	A	92856	11 of

ACAD

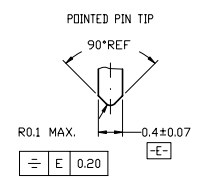
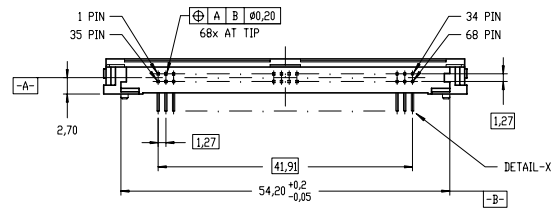
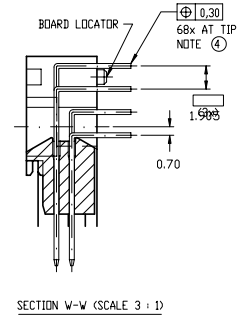
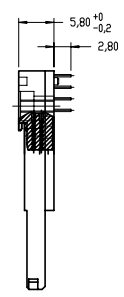
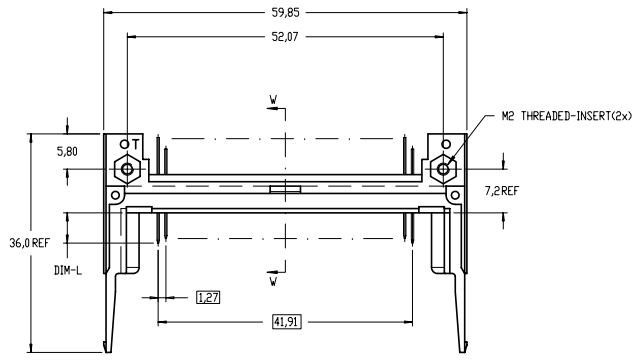
PDM: Rev:E

STATUS Released 2526 cage code 2526 Printed: Oct 12, 2010

Tous droits strictement réservés. Reproduction ou communication a des tiers interdite sous quelque forme que ce soit sans autorisation écrite du propriétaire. Propriété de FCI. Droits de reproduction FCI.

All rights strictly reserved. Reproduction or issue to third parties in any form whatsoever is not permitted without written authority from the proprietor. Property of FCI. Copyright FCI.

PRODUCT NO.	MOUNTING STYLE	COLOR	SOLDER-TAIL STYLE	STAND-OFF	MOUNTING SUPPORT	BOARD LOCATOR
92856-003/003LF	TOP-MOUNT	BLACK	THRU-HOLE, R/A	NO	NO	YES



- NOTES :
- SEE TA-946 FOR PCB LAYOUT.
  - MATERIAL  
PLASTIC : LCP UL94V-0  
PIN : PHOSPHOR BRONZE
  - FINISH (PIN)  
UNDER-PLATING : 0.5 um MIN. Ni  
CONTACT AREA : 0.1 um Au OVER 0.5 um MIN. Pd-Ni  
SOLDER AREA (TIN LEAD OPTION): 2.5um MIN. Sn-Pb  
SOLDER AREA (LEAD FREE OPTION): 2.5um MIN. PURE TIN
  - TRUE POSITION IS A FREE GRID TO THE PIN PATTERN ITSELF.
  - IF LEAD FREE P/N. THE HOUSING WILL WITHSTAND EXPOSURE TO 260°C PEAK TEMPERATURE FOR 10 SECONDS IN A WAVE SOLDER APPLICATION WITH A 100MM MINIMUM THICK CIRCUIT BOARD.
  - LEAD FREE PRODUCT MEETS EUROPEAN UNION DIRECTIVES AND OTHER COUNTRY REGULATIONS AS DESCRIBED IN GS-22-008
  - IF LEAD FREE P/N. PACKAGING MEETS GS-14-920 SPECIFICATION

PIN NO.	36 , 67	1 , 17 , 34 35 , 51 , 68	OTHERS
DIM-L	3,50 ± 0,10	5,00 ± 0,10	4,25 ± 0,10

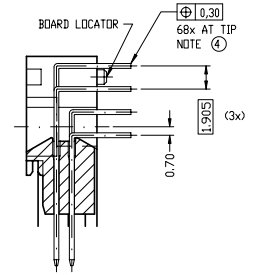
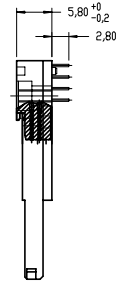
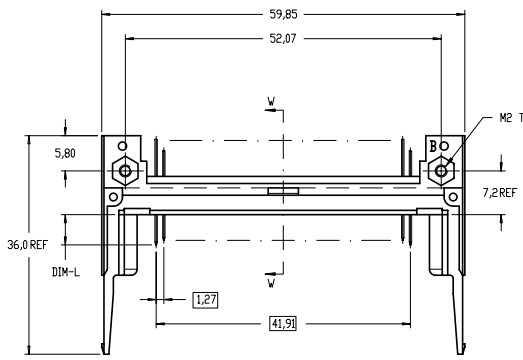
mat'l. code		tolerances unless otherwise specified		CUSTOMER COPY		 www.fciconnect.com	
ltr	ecr no	dr	date	linear	±.3	projection	title
E				angles	0° ± 2°		68P EJECTOR HEADER ASSEMBLY FOR PCMCIA/JEIDA TYPE-I/II/III HEADER ASSEMBLY
				dr	WB JIANG 11/26/04	MM	product family PCMCIA code NT
				enrg	WB JIANG 11/26/04	scale	size dwg no
				chr	WB JIANG 11/26/04	N.T.S.	92856
				appd	JASON ZHOU 11/26/04		sheet 12 of
sheet index	revision sheet						

ACAD PDM: Rev:E STATUS Released 2526 cage code 2526 Printed: Oct 12, 2010

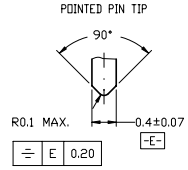
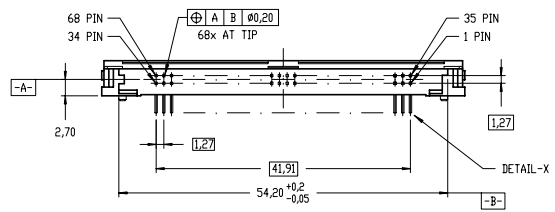
Tous droits strictement réservés. Reproduction ou communication a des tiers interdite sous quelque forme que ce soit sans autorisation écrite du propriétaire. Propriété de FCI. Droits de reproduction FCI.

All rights strictly reserved. Reproduction or issue to third parties in any form or by any means, whatever is not permitted without written authority from the proprietor. Property of FCI. Copyright FCI.

PRODUCT NO.	MOUNTING STYLE	COLOR	SOLDER-TAIL STYLE	STAND-OFF	MOUNTING SUPPORT	BOARD LOCATOR
92856-503/503LF	BOTTOM-MOUNT	NATURAL	THRU-HOLE, R/A	NO	NO	YES



SECTION W-W (SCALE 3 : 1)



DETAIL-X (SCALE 15 : 1)

NOTES :

- SEE TA-946 FOR PCB LAYOUT.
- MATERIAL  
PLASTIC : LCP UL94V-0  
PIN : PHOSPHOR BRONZE
- FINISH (P/N)  
UNDER-PLATING : 0.5 um MIN. Ni  
CONTACT AREA : 0.1 um Au OVER 0.5 um MIN. Pd-Ni  
SOLDER AREA (TIN LEAD OPTION): 2.5um MIN. Sn-Pb  
SOLDER AREA (LEAD FREE OPTION): 2.5um MIN. PURE TIN
- TRUE POSITION IS A FREE GRID TO THE PIN PATTERN ITSELF.
- IF LEAD FREE P/N. THE HOUSING WILL WITHSTAND EXPOSURE TO 260°C PEAK TEMPERATURE FOR 10 SECONDS IN A WAVE SOLDER APPLICATION WITH A 100MM MINIMUM THICK CIRCUIT BOARD.
- LEAD FREE PRODUCT MEETS EUROPEAN UNION DIRECTIVES AND OTHER COUNTRY REGULATIONS AS DISCRIBED IN GS-22-008
- IF LEAD FREE P/N. PACKAGING MEETS GS-14-920 SPECIFICATION

PIN ND.	36 , 67	1 , 17 , 34 35 , 51 , 68	OTHERS
DIM-L	3,50 ± 0,10	5,00 ± 0,10	4,25 ± 0,10

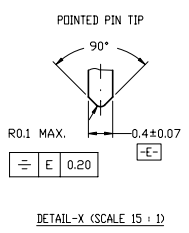
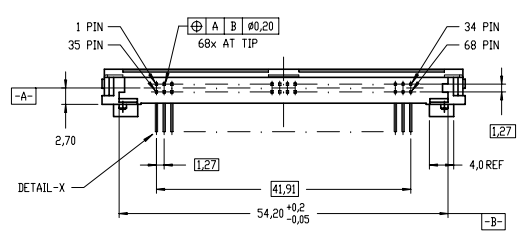
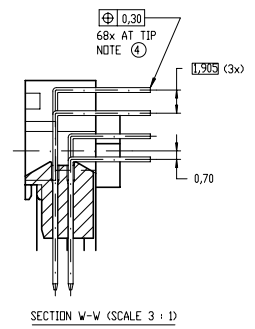
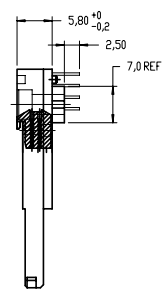
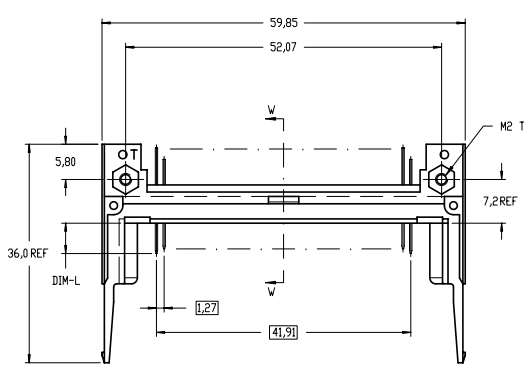
mat'l. code		tolerances unless otherwise specified		CUSTOMER COPY		 www.fciconnect.com	
ltr	ecn no	dr	date	linear	±.3	projection	title
E				angles	0° ±2°	MM	68P EJECTOR HEADER ASSEMBLY FOR PCMCIA/JEIDA TYPE-I/II/III HEADER ASSEMBLY
				dr	WB JIANG 11/26/04	scale	product family PCMCIA code NT
				enrg	WB JIANG 11/26/04	N.T.S.	size dwg no 92856 sheet 13 of
				chr	WB JIANG 11/26/04		
				appd	JASON ZHOU 11/26/04		
sheet index	revision sheet						

Tous droits strictement réservés. Reproduction ou communication a des tiers interdite sous quelque forme que ce soit sans autorisation écrite du propriétaire. Propriété de FCI. Droits de reproduction FCI.

**FCI**

All rights strictly reserved. Reproduction or issue to third parties in any form or by whatever means is not permitted without written authority from the proprietor. Property of FCI. Copyright FCI.

PRODUCT NO.	MOUNTING STYLE	COLOR	SOLDER-TAIL STYLE	STAND-OFF	MOUNTING SUPPORT	BOARD LOCATOR
92856-080/080LF	TOP-MOUNT	BLACK	THRU-HOLE, R/A	2 mm	NO	NO



- NOTES :
- SEE TA-946 FOR PCB LAYOUT.
  - MATERIAL  
PLASTIC : LCP UL94V-0  
PIN : PHOSPHOR BRONZE
  - FINISH (PIN)  
UNDER-PLATING : 0.5 um MIN. Ni  
CONTACT AREA : 0.1 um Au OVER 0.5 um MIN. Pd-Ni  
SOLDER AREA (TIN LEAD OPTION): 2.5um MIN. Sn-Pb  
SOLDER AREA (LEAD FREE OPTION): 2.5um MIN. PURE TIN
  - TRUE POSITION IS A FREE GRID TO THE PIN PATTERN ITSELF.
  - IF LEAD FREE P/N. THE HOUSING WILL WITHSTAND EXPOSURE TO 260°C PEAK TEMPERATURE FOR 10 SECONDS IN A WAVE SOLDER APPLICATION WITH A 100MM MINIMUM THICK CIRCUIT BOARD.
  - LEAD FREE PRODUCT MEETS EUROPEAN UNION DIRECTIVES AND OTHER COUNTRY REGULATIONS AS DISCRIBLED IN GS-22-008
  - IF LEAD FREE P/N. PACKAGING MEETS GS-14-920 SPECIFICATION

PIN NO.	36 , 67	1 , 17 , 34 35 , 51 , 68	OTHERS
DIM-L	3,50 ± 0,10	5,00 ± 0,10	4,25 ± 0,10

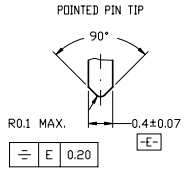
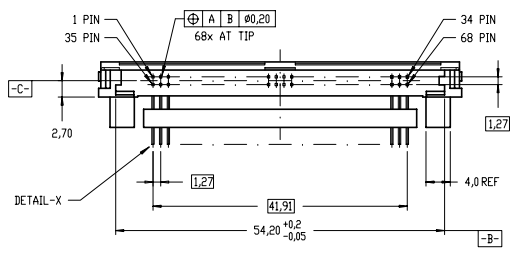
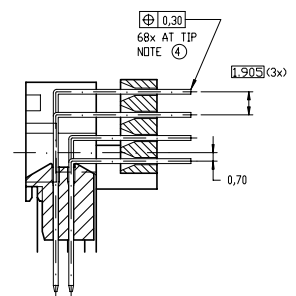
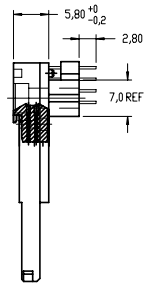
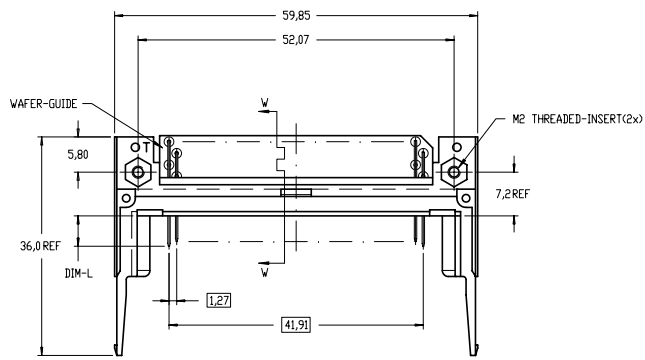
mat'l. code		tolerances unless otherwise specified		CUSTOMER COPY		<b>FCI</b> www.fciconnect.com	
ltr	ecr no	dr	date	linear	±.3	projection	title
E				angles	0° ± 2°	MM	68P EJECTOR HEADER ASSEMBLY FOR PCMCIA/JEIDA TYPE-I/II/III HEADER ASSEMBLY
		dr	WB JIANG	11/26/04		product family	PCMCIA
		enrg	WB JIANG	11/26/04		size	dwg no
		chr	WB JIANG	11/26/04		scale	N.T.S.
		appd	JASON ZHOU	11/26/04			92856
sheet index	revision sheet					cage code	25226

ACAD PDM: Rev:E STATUS Released 25226 Printed: Oct 12, 2010

Tous droits strictement réservés. Reproduction ou communication a des tiers interdite sous quelque forme que ce soit sans autorisation écrite du propriétaire. Propriété de c FCI. Droits de reproduction FCI.

All rights strictly reserved. Reproduction or issue to third parties in any form or by whatever means is not permitted without written authority from the proprietor. Property of FCI. Copyright FCI.

PRODUCT NO.	MOUNTING STYLE	COLOR	SOLDER-TAIL STYLE	STAND-OFF	MOUNTING SUPPORT	BOARD LOCATOR
92856-020/020LF	TOP-MOUNT	BLACK	THRU-HOLE, R/A	5 mm	NO	NO



- NOTES :
- SEE TA-946 FOR PCB LAYOUT.
  - MATERIAL  
PLASTIC : LCP UL94V-0  
PIN : PHOSPHOR BRONZE
  - FINISH (PIN)  
UNDER-PLATING : 0.5 um MIN. Ni  
CONTACT AREA : 0.1 um Au OVER 0.5 um MIN. Pd-Ni  
SOLDER AREA (TIN LEAD OPTION): 2.5um MIN. Sn-Pb  
SOLDER AREA (LEAD FREE OPTION): 2.5um MIN. PURE TIN
  - TRUE POSITION IS A FREE GRID TO THE PIN PATTERN ITSELF.
  - IF LEAD FREE P/N. THE HOUSING WILL WITHSTAND EXPOSURE TO 260°C PEAK TEMPERATURE FOR 10 SECONDS IN A WAVE SOLDER APPLICATION WITH A 100MM MINIMUM THICK CIRCUIT BOARD.
  - LEAD FREE PRODUCT MEETS EUROPEAN UNION DIRECTIVES AND OTHER COUNTRY REGULATIONS AS DISCRIBLED IN GS-22-008
  - IF LEAD FREE P/N. PACKAGING MEETS GS-14-920 SPECIFICATION

PIN NO.	36 , 67	1 , 17 , 34 35 , 51 , 68	OTHERS
DIM-L	3,50 ± 0,10	5,00 ± 0,10	4,25 ± 0,10

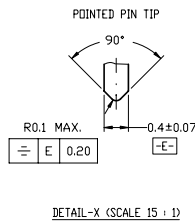
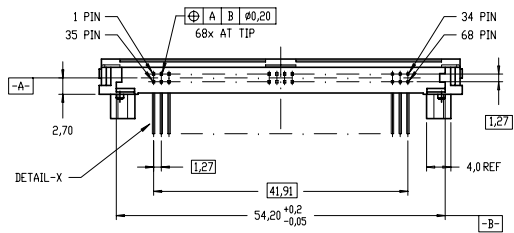
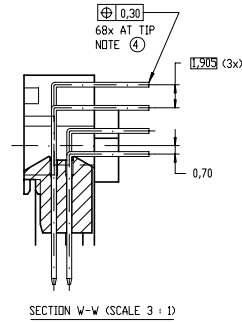
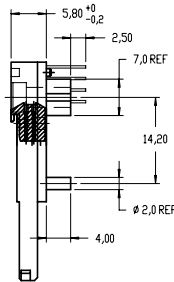
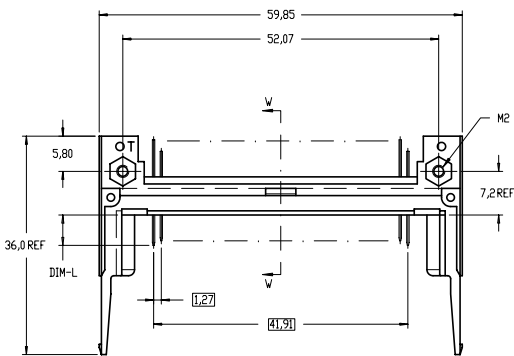
mat'l. code		tolerances unless otherwise specified		CUSTOMER COPY		 www.fciconnect.com	
ltr	ecn no	dr	date	linear	±.3	projection	title
E				angles	0° ±2°	 MM	68P EJECTOR HEADER ASSEMBLY FOR PCMCIA/JEIDA TYPE-I/II/III HEADER ASSEMBLY
				dr	WB JIANG	11/26/04	product family
				enrg	WB JIANG	11/26/04	PCMCIA
				chr	WB JIANG	11/26/04	size
				appd	JASON ZHOU	11/26/04	dwg no
							scale
							N.T.S.
sheet	revision						product family
index	sheet						PCMCIA
							code
							NT
							size
							dwg no
							92856
							sheet
							15 of

ACAD PDM: Rev:E STATUS Released 2526 cage code 2526 Printed: Oct 12, 2010

Tous droits strictement réservés. Reproduction ou communication à des tiers  
interdite sous quelque forme que ce soit sans autorisation écrite du propriétaire.  
Propriété de c FCI. Droits de reproduction FCI.

All rights strictly reserved. Reproduction or issue to third parties in any  
language or form is not permitted without written authority from the proprietor.  
Property of FCI. Copyright FCI.

PRODUCT NO.	MOUNTING STYLE	COLOR	SOLDER-TAIL STYLE	STAND-OFF	MOUNTING SUPPORT	BOARD LOCATOR
92856-010/010LF	TOP-MOUNT	BLACK	THRU-HOLE, R/A	4 mm	4 mm	NO



NOTES :

- SEE TA-946 FOR PCB LAYOUT.
- MATERIAL :  
PLASTIC : LCP UL94V-0  
PIN : PHOSPHOR BRONZE
- FINISH (PIN) :  
UNDER-PLATING : 0.5 µm MIN. Ni  
CONTACT AREA : 0.1 µm Au OVER 0.5 µm MIN. Pd-Ni  
SOLDER AREA (TIN LEAD OPTION): 2.5µm MIN. Sn-Pb  
SOLDER AREA (LEAD FREE OPTION): 2.5µm MIN. PURE TIN
- TRUE POSITION IS A FREE GRID TO THE PIN PATTERN ITSELF.
- IF LEAD FREE P/N, THE HOUSING WILL WITHSTAND EXPOSURE TO 260°C PEAK TEMPERATURE FOR 10 SECONDS IN A WAVE SOLDER APPLICATION WITH A 100µm MINIMUM THICK CIRCUIT BOARD.
- LEAD FREE PRODUCT MEETS EUROPEAN UNION DIRECTIVES AND OTHER COUNTRY REGULATIONS AS DESCRIBED IN GS-22-008
- IF LEAD FREE P/N, PACKAGING MEETS GS-14-920 SPECIFICATION

PIN NO.	36 , 67	1 , 17 , 34 35 , 51 , 68	OTHERS
DIM-L	3,50 ± 0,10	5,00 ± 0,10	4,25 ± 0,10

mat'l. code		tolerances unless otherwise specified		CUSTOMER COPY		www.Fciconnect.com	
ltr	ecn no	dr	date	linear	±.3	projection	title
E				angles	0° ±2'		68P EJECTOR HEADER ASSEMBLY FOR PCMCIA/JEIDA TYPE-1/II/III HEADER ASSEMBLY
				dr	WB JIANG 11/26/04	MM	product family
				engr	WB JIANG 11/26/04	→	PCMCIA
				chr	WB JIANG 11/26/04	←	code
				appd	JASON ZHOU 11/26/04	scale	NT
						N.T.S.	size
sheet	revision						dwg no
index	sheet						92856
							sheet
							16 of

1 2

3

4

ACAD

PDM: Rev:E

STATUS Released

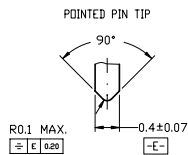
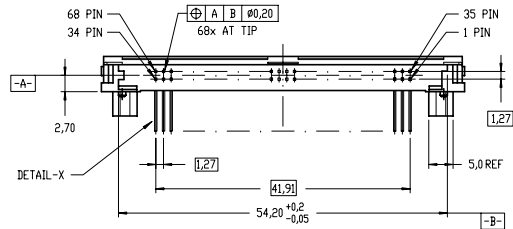
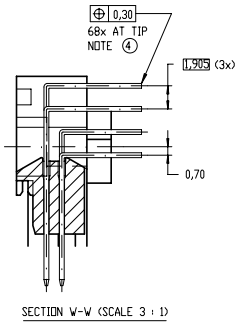
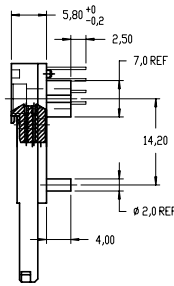
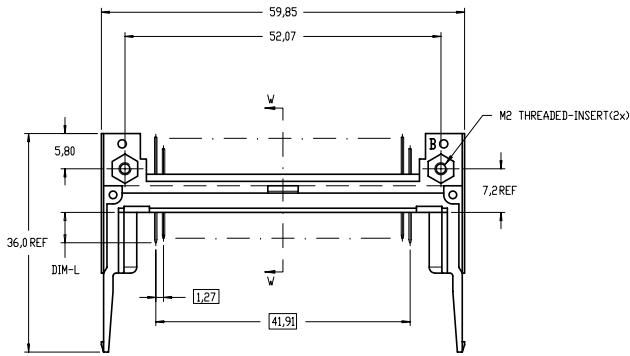
Printed: Oct 12, 2010



Tous droits strictement réservés. Reproduction ou communication à des tiers interdite sous quelque forme que ce soit sans autorisation écrite du propriétaire. Propriété de c FCI. Droits de reproduction FCI.

All rights strictly reserved. Reproduction or issue to third parties in any form or by any means, whatever is not permitted without written authority from the proprietor. Property of FCI. Copyright FCI.

PRODUCT NO.	MOUNTING STYLE	COLOR	SOLDER-TAIL STYLE	STAND-OFF	MOUNTING SUPPORT	BOARD LOCATOR
92856-510/510LF	BOTTOM-MOUNT	NATURAL	THRU-HOLE, R/A	4 mm	4 mm	NO



DETAIL-X (SCALE 15 : 1)

NOTES :

- SEE TA-946 FOR PCB LAYOUT.
- MATERIAL :  
PLASTIC : LCP UL94V-0  
PIN : PHOSPHOR BRONZE
- FINISH (PIN) :  
UNDER-PLATING : 0.5 um MIN. Ni  
CONTACT AREA : 0.1 um Au OVER 0.5 um MIN. Pd-Ni  
SOLDER AREA (TIN LEAD OPTION): 2.5um MIN. Sn-Pb  
SOLDER AREA (LEAD FREE OPTION): 2.5um MIN. PURE TIN
- TRUE POSITION IS A FREE GRID TO THE PIN PATTERN ITSELF.
- IF LEAD FREE P/N, THE HOUSING WILL WITHSTAND EXPOSURE TO 260°C PEAK TEMPERATURE FOR 10 SECONDS IN A WAVE SOLDER APPLICATION WITH A 100MM MINIMUM THICK CIRCUIT BOARD.
- LEAD FREE PRODUCT MEETS EUROPEAN UNION DIRECTIVES AND OTHER COUNTRY REGULATIONS AS DESCRIBED IN GS-22-008
- IF LEAD FREE P/N, PACKAGING MEETS GS-14-920 SPECIFICATION

PIN NO.	36 , 67	1 , 17 , 34 35 , 51 , 68	OTHERS
DIM-L	3,50 ± 0,10	5,00 ± 0,10	4,25 ± 0,10

mat'l. code		tolerances unless otherwise specified		CUSTOMER COPY		 www.Fciconnect.com	
ltr	ecn no	dr	date	linear	±.3	projection	
E				angles	0° ±2'	MM	
				dr	WB JIANG 11/26/04	product family	PCMCIA
				enrg	WB JIANG 11/26/04	size	dwg no
				chr	WB JIANG 11/26/04	scale	N.T.S.
				appd	JASON ZHOU 11/26/04	code	NT
sheet	revision					92856	sheet
index	sheet					17 of	

1 | 2

3 |

4

ACAD

PDM: Rev:E

STATUS Released

Printed: Oct 12, 2014