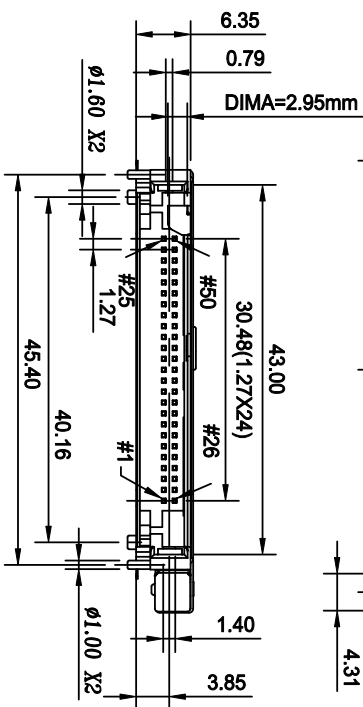
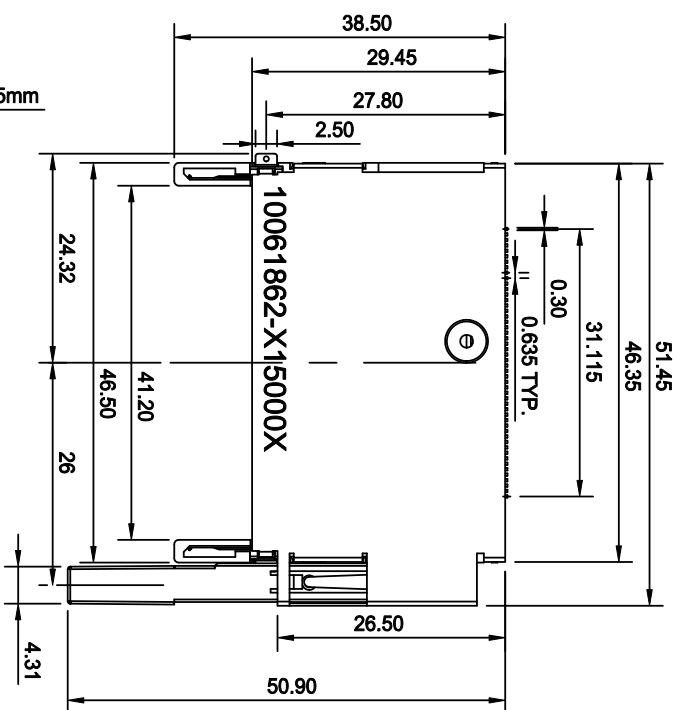
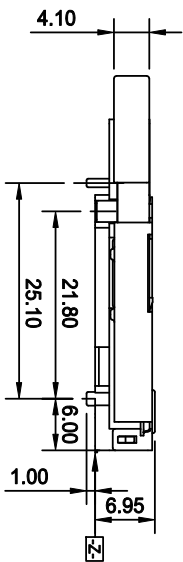
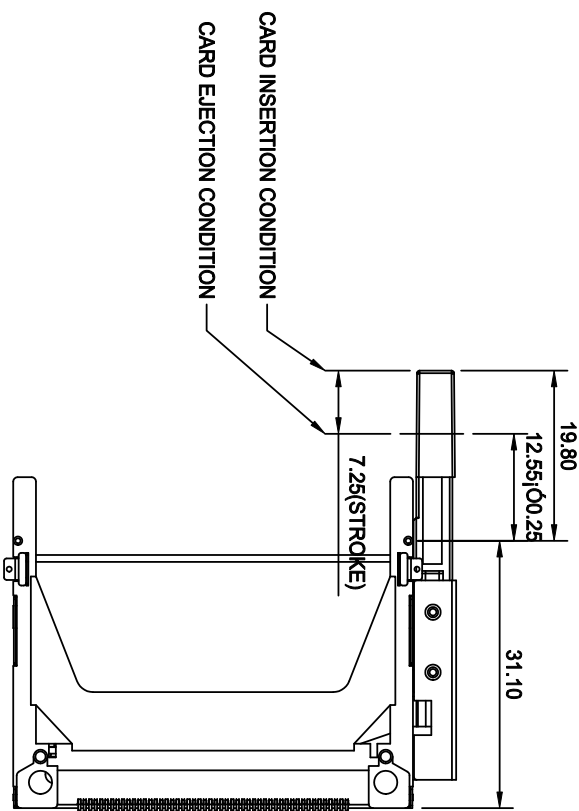


1 | 2



PIN NUMBER	DIM. L(PIN LENGTH)
25, 26	3.50
ALL OTHER PINS	4.25
1,13,38,50	5.00

3 |



4

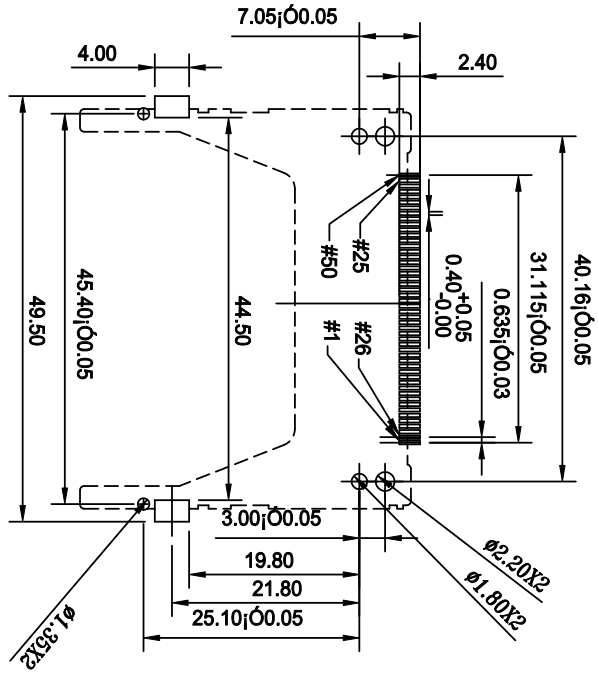
1 | 2

mat'l. code		tolerances unless otherwise specified		CUSTOMER COPY		FCI	
ltr	ecn no.	dr	date	linear	projection	title	www.fciconnect.com
A	T06-0258	A.C.	11/21/05	.XX ± 0.20	MM	CF ASS'Y,BELOW MOUNT	
B	T06-0038	A.C.	3/03/06	.XXX ± 0.10	MM	LEFT PUSH, S/O=0mm	
C	T08-1174	S.LIN	10/12/08	0° ± 2°	MM		
sheet		revision	C	C	C	product family	code
index		sheet	1	2	3	CF	TWN
						10061862	1 of 4

ACAD

3 |

4



Recommended PCB Pattern

1 | 2

1 | 2

3 |

4

mat'l. code		tolerances unless otherwise specified		CUSTOMER COPY		FCI	
ltr	ecn no.	dr	date	linear	projection	title	www.fciconnect.com
A	T06-0258	A.C.	11/21/05	.XX ± 0.20	MM	CF ASS'Y,BELOW MOUNT	
B	T06-0038	A.C.	3/03/06	.XXX ± 0.10	NA	LEFT PUSH, S/O=0mm	
C	T08-1174	S.LIN	10/12/08	0° ±2°	MM		
sheet		revision	dr	engr	chr	product family	code
index	sheet	sheet	sheet	sheet	sheet	size	sheet
						CF	TWN
						10061862	3 of 4
		code		code		code	
		10061862		10061862		10061862	

ACAD

3 |

4



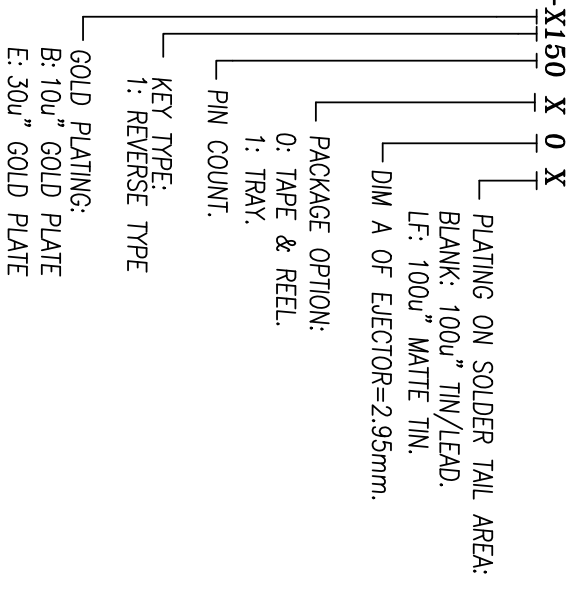
1 | 2

NOTES :

1. THIS IS THE ASSEMBLY TYPE WHICH INCLUDES HEADER 10053868-E1501 AND EJECTOR 10053869-0050LF.
2. MATERIAL :
INSULATOR : HIGH TEMPERATURE THERMOPLASTIC
FLAMMABILITY RATING: UL94V-0
COLOR: IVORY
- CONTACT : COPPER ALLOY
GROUND MOUNTING EAR: COPPER ALLOY
COVER: STAINLESS STEEL.
ARM: STAINLESS STEEL.
PUSH ROD : HIGH TEMPERATURE THERMOPLASTIC
FLAMMABILITY RATING: UL94V-0
COLOR: BLACK.
- RIVET : COPPER ALLOY
3. PLATING :
CONTACT AREA: SELECTIVE GOLD (SEE PIN DESCRIPTION)
UNDER PLATING: 50u" NICKEL OVERALL
SOLDER TAIL AREA: 100u" TIN/LEAD OR 100u" MATTE TIN
GROUND MOUNT EAR AREA: 100u" TIN/LEAD OR 100u" MATTE TIN
4. SOLDER TAILS TO BE WITHIN 0.05 UPWARD AND 0.2 DOWNWARD FROM Z-DATUM PLACE, AND COPLANARITY OF SOLDER TAILS TO BE WITHIN 0.10mm.
5. PRODUCT SPEC: GS-12-240.
6. PACKAGING SPEC: GS-14-1040.

7. Part Number Description:

P/N: 10061862-X150 X 0 X



3 |

4

8. THIS PRODUCT (10061862-XXXXXXLF) MEETS THE EUROPEAN UNION DIRECTIVE AS DESCRIBED IN GS-22-008.
9. THIS PRODUCT (10061862-XXXXXX) MEETS THE EUROPEAN UNION DIRECTIVE AS DESCRIBED IN GS-22-008 EXCEPT FOR Pb.
10. THE HOUSING WILL WITHSTAND EXPOSURE TO 260°C PEAK TEMPERATURE FOR 10 SECONDS IN A CONVECTION, IR OR VAPER PHASE REFLOW OVEN.
11. THE PRODUCTS WHERE THE PART NUMBER ENDS IN "LF" MEET THE CRITERIA SHOWN IN THE NOTES 8 AND 10.

mat'l. code	ecn no.	dr	date	tolerances unless otherwise specified	CUSTOMER COPY	title	product family	code
A	106-0258	A.C.	11/21/05	.X ± 0.30	projection	CF ASS'Y,BELOW MOUNT	CF	TWN
B	106-0038	A.C.	3/03/06	.XXX ± 0.10	scale	LEFT PUSH, S/O=0mm		sheet
C	108-1174	S.LIN	10/12/08	0° ±2°	MM			2 of 4
		dr	11/03/05					
		engr	11/03/05					
		chr	11/03/05					
		appd	11/03/05					
sheet	revision	C	C	C				
index	sheet	1	2	3				

1 | 2

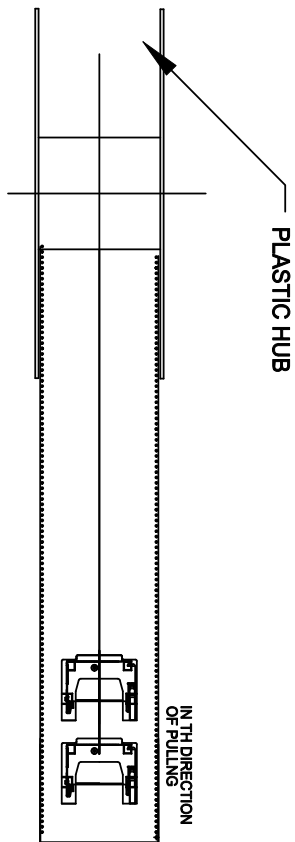
3 |

4

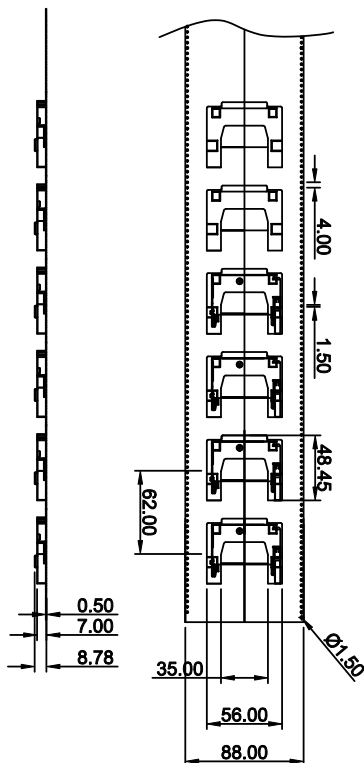
ACAD

code code

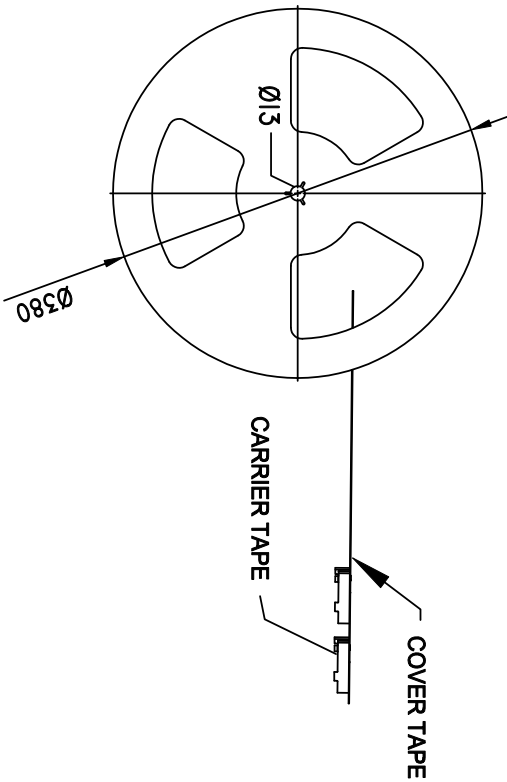
1 | 2



3 |



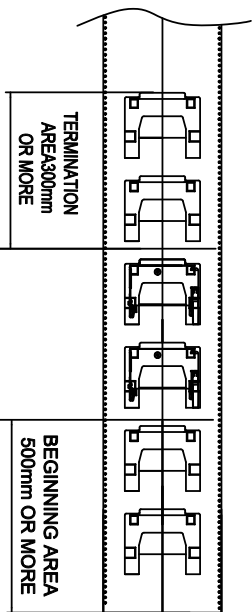
4



- NOTES:
 1. CARRIER TAPE: PS T=0.4MM
 2. COVER TAPE: PE
 3. PLASTIC HUB: PS

1 | 2

COMPOSITION OF PACKAGING
 CONNECTOR PACKAGING
 AREA QUANTITY: 150PCS



COMPOSITION OF PACKAGING

mat'l. code	ecn no.	dr	date	tolerances unless otherwise specified	CUSTOMER COPY	FCI	title	code
A	T06-0258	A.C.	11/21/05	.X ± 0.30			CF ASS'Y,BELOW MOUNT	
B	T06-0036	A.C.	3/03/06	.XX ± 0.20			LEFT PUSH, S/O=0mm	
C	T06-1174	S.LIN	10/12/08	.XXX ± 0.10				
				0° ±2°				
		dr	ALLEN CHANG 11/03/05		projection			
		chr	STERLING LIN 11/03/05		MM			
		engr	ALLEN CHANG 11/03/05		scale			
		appd	H.C LIU 11/03/05		NA			
sheet	revision	C	C	C	C			
index	sheet	1	2	3				

ACAD

3 |

4