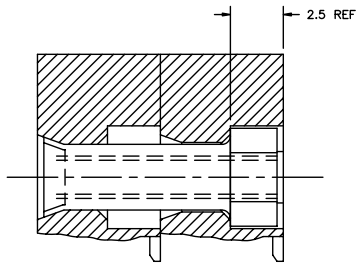
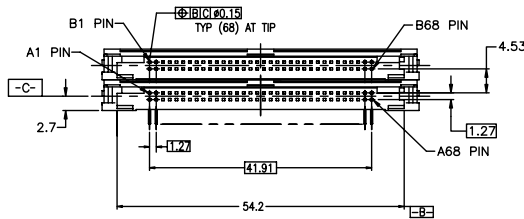
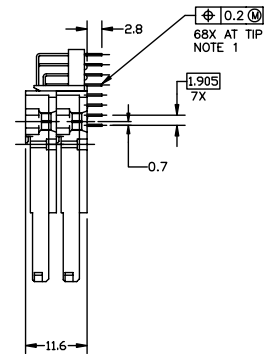
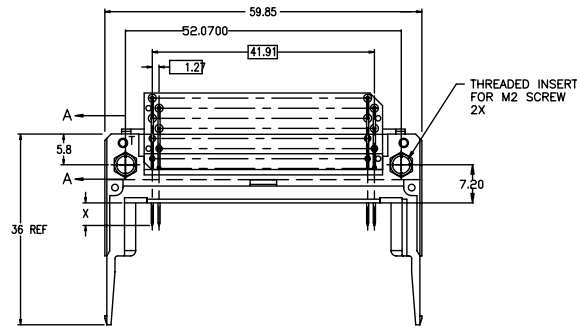


Tous droits strictement réservés. Reproduction ou communication à des tiers
interdite sous quelque forme que ce soit sans autorisation écrite du propriétaire.
Propriété de c FCI. Droits de reproduction FCI.

All rights strictly reserved. Reproduction or issue to third parties in any
form whatever is not permitted without written authority from the proprietor.
Property of FCI. Copyright FCI.

PRODUCT NO	DIM X			MOUNTING STYLE	COLOR
	4.25±0.1	3.5±0.1	5.0±0.1		
95705-000	OTHERS	36,67	1,17,34 35,51,68	TOP W\O LOCATOR	BLACK
95705-000LF	OTHERS	36,67	1,17,34 35,51,68	TOP W\O LOCATOR	BLACK



SECTION A-A
SCALE 8/1

NOTES:

- TRUE POSITION IS A FREE GRID TO THE PIN PATTERN ITSELF.
- SEE TA-946 FOR PCB LAYOUT.
- MATERIAL:
PLASTIC: LCP UL94V-0
PIN: PHOSPHOR BRONZE
- FINISH (PIN):
UNDER PLATING: 0.5 µM MIN. Ni
CONTACT AREA: 0.1 µM MIN GOLD OVER 0.5 µM MIN. Pd-Ni
SOLDER AREA: 2.5 µM MIN. Sn-Pb
: 2.5 µM MIN. PURE Sn (FOR -***LF)
- IF LEAD FREE P/N.THE HOUSING WILL WITHSTAND EXPOSURE TO 260°C PEAK TEMPERATURE FOR 10 SECONDS IN A WAVE SOLDER APPLICATION WITH A 1.00MM MINIMUM THICK CIRCUIT BOARD.
- IF LEAD FREE P/N.THE PRODUCT MEETS EUROPEAN UNION DIRECTIVES AND OTHER COUNTRY REGULATIONS AS DESCRIBED IN GS-22-008
- LEAD FREE P/N PACKAGING MEETS GS-14-920 SPECIFICATION

mat'l. code				tolerances unless otherwise specified			CUSTOMER COPY		Electronics	
ltr	ecn no	dr	date	linear	.X±.3	projection	FCI www.fciconnect.com			
A	V50549	SSD	7/17/95		.XX±.13		title			
B	T50281	GAH	10/20/95		.XXX±.051		3.3 VOLT DOUBLE DECK HEADER			
C	V12164	TFG	8/17/01	angles	0° ±2'		product family MCS code -			
D	N05-0174	WB	06/16/05	dr	S.DUESTERHOEFT 7/17/95	MM	size		dwg no	
				enrg	D.BRANN 7/17/95	1:1	A4		95705	
				chr	D.BRANN 7/17/95				sheet 1 of 4	
				appd	D.BRANN 7/17/95					
sheet index	revision sheet	D	D	D	D		cage code		4	

ACAD

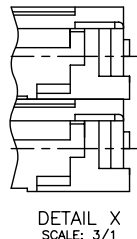
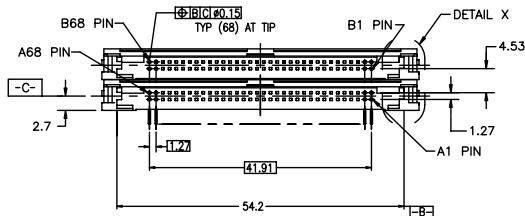
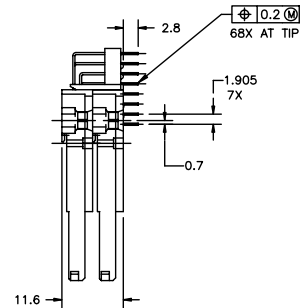
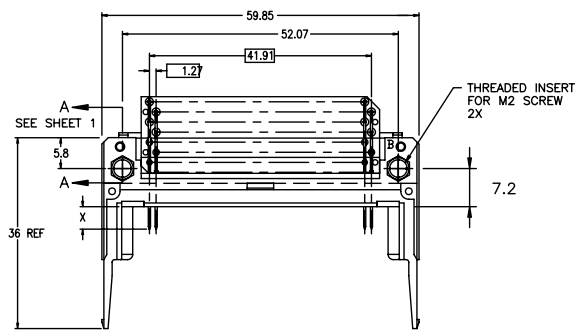
PDM: Rev:D

STATUS Released 26 Printed: Oct 12, 2014

Tous droits strictement réservés. Reproduction ou communication à des tiers interdite sous quelque forme que ce soit sans autorisation écrite du propriétaire. Propriété de c FCI. Droits de reproduction FCI.

All rights strictly reserved. Reproduction or issue to third parties in any form whatever is not permitted without written authority from the proprietor. Property of FCI. Copyright FCI.

PRODUCT NO	DIM X			MOUNTING STYLE	COLOR
	4.25±0.1	3.5±0.1	5.0±0.1		
95705-500	OTHERS	36,67	1,17,34 35,51,68	BOTTOM W\O LOCATOR	NATURAL (WHITE)
95705-500LF	OTHERS	36,67	35,51,68	BOTTOM W\O LOCATOR	NATURAL (WHITE)



NOTES:

- TRUE POSITION IS A FREE GRID TO THE PIN PATTERN ITSELF.
- SEE TA-946 FOR PCB LAYOUT.
- MATERIAL:
PLASTIC: LCP UL94V-0
PIN: PHOSPHOR BRONZE
- FINISH (PIN):
UNDER PLATING: 0.5 μM MIN. Ni
CONTACT AREA: 0.1 μM MIN GOLD OVER 0.5 μM MIN. Pd-Ni
SOLDER AREA: 2.5 μM MIN. Sn-Pb
: 2.5 μM MIN. PURE Sn (FOR -***LF)
- IF LEAD FREE P/N.THE HOUSING WILL WITHSTAND EXPOSURE TO 260°C PEAK TEMPERATURE FOR 10 SECONDS IN A WAVE SOLDER APPLICATION WITH A 1.00MM MINIMUM THICK CIRCUIT BOARD.
- IF LEAD FREE P/N.THE PRODUCT MEETS EUROPEAN UNION DIRECTIVES AND OTHER COUNTRY REGULATIONS AS DESCRIBED IN GS-22-008
- LEAD FREE P/N PACKAGING MEETS GS-14-920 SPECIFICATION

mat'l. code		tolerances unless otherwise specified		CUSTOMER COPY		Electronics	
ltr	ecn no	dr	date	linear	.XX±.13	projection	title
d				angles	.XXX±.051	MM	3.3 VOLT DOUBLE DECK HEADER
				dr	S.DUESTERHOEFT 7/17/95	product family	MCS
				engr	D.BRANN 7/17/95	size	dwg no
				chr	D.BRANN 7/17/95	scale	1:1
				appd	D.BRANN 7/17/95	A4	95705
sheet	revision						
index	sheet						

1 | 2

ACAD

PDM: Rev:D

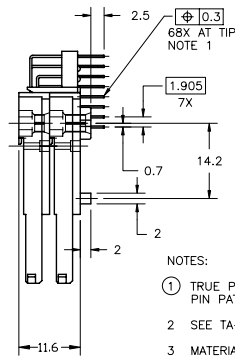
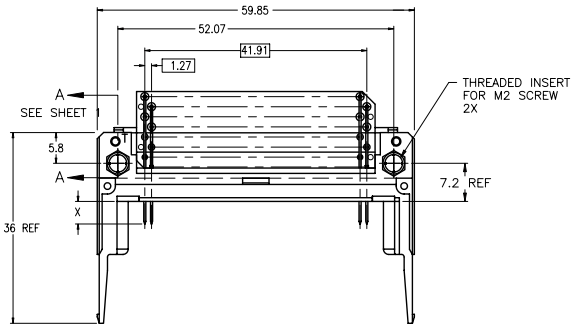
STATUS Released 26 Printed: Oct 12, 2014

B

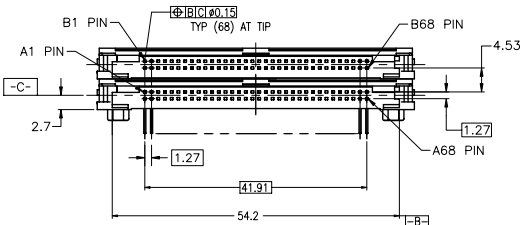
Tous droits strictement réservés. Reproduction ou communication à des tiers interdite sous quelque forme que ce soit sans autorisation écrite du propriétaire. Propriété de c FCI. Droits de reproduction FCI.

All rights strictly reserved. Reproduction or issue to third parties in any form whatever is not permitted without written authority from the proprietor. Property of FCI. Copyright FCI.

PRODUCT NO.	DIM X			MOUNTING STYLE	COLOR
	4.25±0.1	3.5±0.1	5.0±0.1		
95705-040	OTHERS	36,67	1,17,34 35,51,68	TOP W\O LOCATOR	BLACK
95705-040LF	OTHERS	36,67	1,17,34 35,51,68	TOP W\O LOCATOR	BLACK



- NOTES:
- TRUE POSITION IS A FREE GRID TO THE PIN PATTERN ITSELF.
 - SEE TA-946 FOR PCB LAYOUT.
 - MATERIAL:
PLASTIC: LCP UL94V-0
PIN: PHOSPHOR BRONZE
 - FINISH (PIN):
UNDER PLATING: 0.5 μM MIN. Ni
CONTACT AREA: 0.1 μM MIN GOLD OVER 0.5 μM MIN. Pd-Ni
SOLDER AREA: 2.5 μM MIN. Sn-Pb
: 2.5 μM MIN. PURE Sn (FOR -***LF)
 - IF LEAD FREE P/N.THE HOUSING WILL WITHSTAND EXPOSURE TO 260°C PEAK TEMPERATURE FOR 10 SECONDS IN A WAVE SOLDER APPLICATION WITH A 1.00MM MINIMUM THICK CIRCUIT BOARD.
 - IF LEAD FREE P/N.THE PRODUCT MEETS EUROPEAN UNION DIRECTIVES AND OTHER COUNTRY REGULATIONS AS DESCRIBED IN GS-22-008
 - LEAD FREE P/N PACKAGING MEETS GS-14-920 SPECIFICATION



mat'l. code		tolerances unless otherwise specified		CUSTOMER COPY		Electronics www.fciconnect.com	
ltr	ecn no	dr	date	linear	.XX±.13	projection	title
				angles	.XXX±.051		3.3 VOLT DOUBLE DECK HEADER
				dr	S.DUESTERHOEFT 7/17/95		product family MCS
				enfr	D.BRANN 7/17/95	MM	code
				chr	D.BRANN 7/17/95	1:1	size
				appd	D.BRANN 7/17/95	A4	dwg no
sheet	revision						95705
index	sheet						3 of

ACAD

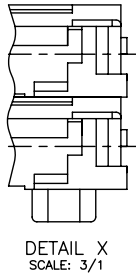
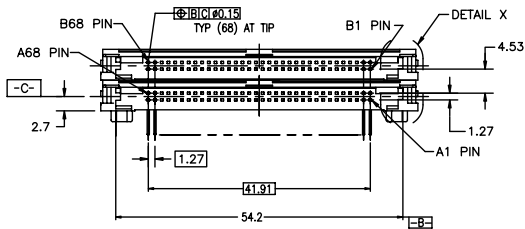
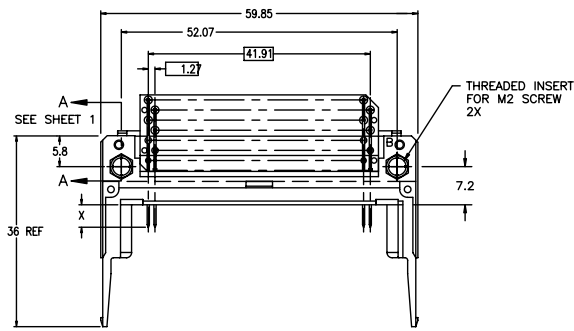
PDM: Rev:D

STATUS Released 26 Printed: Oct 12, 2014

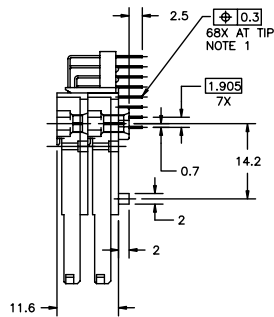
Tous droits strictement réservés. Reproduction ou communication à des tiers
interdite sous quelque forme que ce soit sans autorisation écrite du propriétaire.
Propriété de c FCI. Droits de reproduction FCI.

All rights strictly reserved. Reproduction or issue to third parties in any
form whatever is not permitted without written authority from the proprietor.
Property of FCI. Copyright FCI.

PRODUCT NO	DIM X			MOUNTING STYLE	COLOR
	4.25±0.1	3.5±0.1	5.0±0.1		
95705-540	OTHERS	36,67	1,17,34 35,51,68	BOTTOM W\O LOCATOR	NATURAL (WHITE)
95705-540LF	OTHERS	36,67	1,17,34 35,51,68	BOTTOM W\O LOCATOR	NATURAL (WHITE)



DETAIL X
SCALE: 3/1



NOTES:

- TRUE POSITION IS A FREE GRID TO THE PIN PATTERN ITSELF.
- SEE TA-946 FOR PCB LAYOUT.
- MATERIAL:
PLASTIC: LCP UL94V-0
PIN: PHOSPHOR BRONZE
- FINISH (PIN):
UNDER PLATING: 0.5 µM MIN. Ni
CONTACT AREA: 0.1 µM MIN GOLD OVER 0.5 µM MIN. Pd-Ni
SOLDER AREA: 2.5 µM MIN. Sn-Pb
: 2.5 µM MIN. PURE Sn (FOR -**LF)
- IF LEAD FREE P/N.THE HOUSING WILL WITHSTAND EXPOSURE TO 260°C PEAK TEMPERATURE FOR 10 SECONDS IN A WAVE SOLDER APPLICATION WITH A 1.00MM MINIMUM THICK CIRCUIT BOARD.
- IF LEAD FREE P/N.THE PRODUCT MEETS EUROPEAN UNION DIRECTIVES AND OTHER COUNTRY REGULATIONS AS DESCRIBED IN GS-22-008
- LEAD FREE P/N PACKAGING MEETS GS-14-920 SPECIFICATION

mat'l. code		tolerances unless otherwise specified		CUSTOMER COPY		Electronics	
ltr	ecn no	dr	date	linear	projection	FCI www.fciconnect.com	
d				.X±.3	MM	title	
				.XX±.13		3.3 VOLT DOUBLE DECK HEADER	
				.XXX±.051		product family	MCS
				0° ±2'		size	dwg no
				dr S.DUESTERHOEFT 7/17/95	scale	A4	95705
				enrg D.BRANN 7/17/95	1:1	code	-
				chr D.BRANN 7/17/95		sheet	4 of
				appd D.BRANN 7/17/95		4 of	
sheet index	revision sheet						

ACAD

PDM: Rev:D

STATUS Released 26 Printed: Oct 12, 2014