

DESCRIPTION : ABOVE PCB, DECK AND PUSH ROD LOCATION ARE AS VIEW BY USER.

PRODUCT NO.	PUSH ROD LOCATION		STAND-OFF HEIGHT	CLOSEST TO PCB		FARTHEST FROM PCB		MATING RECEPTACLE	P.C.B SIDE	RECOMMENDED P.C.B LAYOUT (SEE PAGE 6&7)	MOUNT STYLE TO PCB AND PUSH ROD SIDE
	DECK CLOSEST TO PCB	DECK FARTHEST TO PCB		EJ HDR ASS'Y	EJ HDR ASS'Y	Ⓐ 61124-*****	Ⓑ 61125-*****				
200CA	RIGHT	RIGHT	0.0	61126-002CA	61125-005CA	RECEPTACLE PART NO. 91931-31169	ABOVE	LAYOUT 1			
220CA	RIGHT	RIGHT	2.2	61125-020CA	61125-025CA			LAYOUT 2			
240CA	RIGHT	RIGHT	4.3	61125-040CA	61125-045CA			LAYOUT 2			
250CA	RIGHT	RIGHT	5.0	61125-050CA	61125-055CA			LAYOUT 2			
220CAC	RIGHT	RIGHT	2.2	61125-020CAC	61125-025CAC			LAYOUT 2			
240CAC	RIGHT	RIGHT	4.3	61125-040CAC	61125-045CAC			LAYOUT 2			
250CAC	RIGHT	RIGHT	5.0	61125-050CAC	61125-055CAC			LAYOUT 2			
300CA	LEFT	LEFT	0.0	61126-102CA	61125-105CA			LAYOUT 1			
320CA	LEFT	LEFT	2.2	61125-120CA	61125-125CA			LAYOUT 2			
340CA	LEFT	LEFT	4.3	61125-140CA	61125-145CA			LAYOUT 2			
350CA	LEFT	LEFT	5.0	61125-150CA	61125-155CA			LAYOUT 2			
700CA	RIGHT	RIGHT	0.0	61126-502CA	61125-505CA			LAYOUT 3			
720CA	RIGHT	RIGHT	2.2	61125-520CA	61125-525CA			LAYOUT 4			
740CA	RIGHT	RIGHT	4.3	61125-540CA	61125-545CA			LAYOUT 4			
750CA	RIGHT	RIGHT	5.0	61125-550CA	61125-555CA			LAYOUT 4			
800CA	LEFT	LEFT	0.0	61126-602CA	61125-605CA	LAYOUT 3					
820CA	LEFT	LEFT	2.2	61125-620CA	61125-625CA	LAYOUT 4					
840CA	LEFT	LEFT	4.3	61125-640CA	61125-645CA	LAYOUT 4					
850CA	LEFT	LEFT	5.0	61125-650CA	61125-655CA	LAYOUT 4					

OR

ORDERING INFORMATION			
NAME	PART NO.	Q'TY	
Ⓐ EJECT HEADER ASS'Y	61124-*****	1	
Ⓓ MATING RECEPTACLE	91931-31169	2	

ORDERING INFORMATION			
NAME	PART NO.	Q'TY	
Ⓑ DECK CLOSEST TO PCB	61125-*****	1	
Ⓒ DECK FARTHEST FROM PCB	61125-*****	1	
Ⓓ MATING RECEPTACLE	91931-31169	2	

ORDERING INFORMATION			
NAME	PART NO.	Q'TY	
Ⓑ DECK CLOSEST TO PCB	61126-*****	1	
Ⓒ DECK FARTHEST FROM PCB	61125-*****	1	
Ⓓ MATING RECEPTACLE	91931-31169	1	

rev	ecn no	dr	date
C	T03-0216	V L	06/09/03
D	N05-0059	V B	03/03/05
E	N05-0140	V B	05/31/05
F	N05-0217	V B	07/25/05
G	N08-0169	MZ	08/13/07
H	N11-0015	SH	2011-02-09

www.fciconnect.com		surface 6.4	tolerance std ISO 1302	ISO 406	ISO 1101	projection	MM
		TOLERANCES UNLESS OTHERWISE SPECIFIED		0.X	±0.3	size A4	Scale 1.000
Dr	WENDY CHEN	07/06/95	ANGULAR	LINEAR	0.XX	±0.15	ECN N11-0015
Eng	L.W. LU	07/06/95	0°	±2°	0.XXX	±0.05	Spec ref RELEASE
Chr	JOSEPH HSIA	07/06/95	Product family		61124		
Appr	JENN TSAG	07/06/95	Product family		61124		
FCJ		EJECTOR HEADER ASS'Y		61124		Rev. H	
title		3.3V SMT, TYPE 1/2/3		CUSTOMER		sheet 1 of 8	
catalog no							

REV F - 2008-06-17

PDM: Rev:H

STATUS:Released

4 Printed: Feb 10, 2011

DESCRIPTION : ABOVE PCB, DECK AND PUSH ROD LOCATION ARE AS VIEW BY USER.

PRODUCT NO.	PUSH ROD DECK CLOSEST TO PCB	LOCATION DECK FARTHEST TO PCB	STAND-OFF HEIGHT	CLOSEST TO PCB EJ HDR ASS'Y	FARTHEST FROM PCB EJ HDR ASS'Y	MATING RECEPTACLE	P.C.B SIDE	RECOMMENDED P.C.B LAYOUT (SEE PAGE 6&7)	MOUNT STYLE TO PCB AND PUSH ROD SIDE	
Ⓐ 61124-*****	RIGHT	RIGHT	0.0	Ⓑ 61126-002CALF	Ⓒ 61125-005CALF	RECEPTACLE PART NO. 91931-31169LF	ABOVE	LAYOUT 1		
220CALF	RIGHT	RIGHT	2.2	61125-020CALF	61125-025CALF			LAYOUT 2		
240CALF	RIGHT	RIGHT	4.3	61125-040CALF	61125-045CALF			LAYOUT 2		
250CALF	RIGHT	RIGHT	5.0	61125-050CALF	61125-055CALF			LAYOUT 2		
220CACLF	RIGHT	RIGHT	2.2	61125-020CACLF	61125-025CACLF			LAYOUT 2		
240CACLF	RIGHT	RIGHT	4.3	61125-040CACLF	61125-045CACLF			LAYOUT 2		
250CACLF	RIGHT	RIGHT	5.0	61125-050CACLF	61125-055CACLF			LAYOUT 2		
251CACLF	LEFT	RIGHT	5.0	61125-050CACLF	61125-155CACLF			LAYOUT 2	LAYOUT 2	
300CALF	LEFT	LEFT	0.0	61126-102CALF	61125-105CALF			LAYOUT 1		
320CALF	LEFT	LEFT	2.2	61125-120CALF	61125-125CALF			LAYOUT 2		
340CALF	LEFT	LEFT	4.3	61125-140CALF	61125-145CALF			LAYOUT 2		
350CALF	LEFT	LEFT	5.0	61125-150CALF	61125-155CALF			LAYOUT 2		
350CACLF	LEFT	LEFT	5.0	61125-150CACLF	61125-155CACLF			LAYOUT 2		
700CALF	RIGHT	RIGHT	0.0	61126-502CALF	61125-505CALF			RECEPTACLE PART NO. 91931-31169LF	BELOW	LAYOUT 3
720CALF	RIGHT	RIGHT	2.2	61125-520CALF	61125-525CALF	LAYOUT 4				
740CALF	RIGHT	RIGHT	4.3	61125-540CALF	61125-545CALF	LAYOUT 4				
750CALF	RIGHT	RIGHT	5.0	61125-550CALF	61125-555CALF	LAYOUT 4				
800CALF	LEFT	LEFT	0.0	61126-602CALF	61125-605CALF	LAYOUT 3				
820CALF	LEFT	LEFT	2.2	61125-620CALF	61125-625CALF	LAYOUT 4				
840CALF	LEFT	LEFT	4.3	61125-640CALF	61125-645CALF	LAYOUT 4				
850CALF	LEFT	LEFT	5.0	61125-650CALF	61125-655CALF	LAYOUT 4				

OR

ORDERING INFORMATION

ORDERING INFORMATION		
NAME	PART NO.	Q'TY
Ⓐ EJECT HEADER ASS'Y	61124-*****LF	1
Ⓓ MATING RECEPTACLE	91931-31169LF	2

ORDERING INFORMATION		
NAME	PART NO.	Q'TY
Ⓑ DECK CLOSEST TO PCB	61125-*****LF	1
Ⓒ DECK FARTHEST FROM PCB	61125-*****LF	1
Ⓓ MATING RECEPTACLE	91931-31169LF	2

OR

ORDERING INFORMATION

ORDERING INFORMATION		
NAME	PART NO.	Q'TY
Ⓑ DECK CLOSEST TO PCB	61126-*****LF	1
Ⓒ DECK FARTHEST FROM PCB	61125-*****LF	1
Ⓓ MATING RECEPTACLE	91931-31169LF	1

NOTE:

- THE HOUSING WILL WITHSTAND EXPOSURE TO 260°C PEAK TEMPERATURE FOR 10 SECONDS IN A WAVE SOLDER APPLICATION WITH A 1.00MM MINIMUM THICK CIRCUIT BOARD.
- THE PRODUCTS FOR SUFFIX " LF " MEET EUROPEAN UNION DIRECTIVES AND OTHER COUNTRY REGULATIONS AS DESCRIBED IN GS-22-008 OTHER PRODUCTS ARE COMPLIANT EXCEPT FOR Pb.
- LEAD FREE P/N PACKAGING MEETS GS-14-920 SPECIFICATION
- FINISH (PIN)
CONTACT AREA : 0.1 µm MIN. GOLD OVER
0.5 µm MIN. Pd-Ni (FOR-***CA,***CALF)
0.8 µm MIN. Pd-Ni (FOR-***CAC,***CACLF)
SOLDER TAIL(FOR -*****) : 2.5 µm MIN. Sn-Pb
SOLDER TAIL(FOR -*****LF) : 2.5 µm MIN. PURE Sn

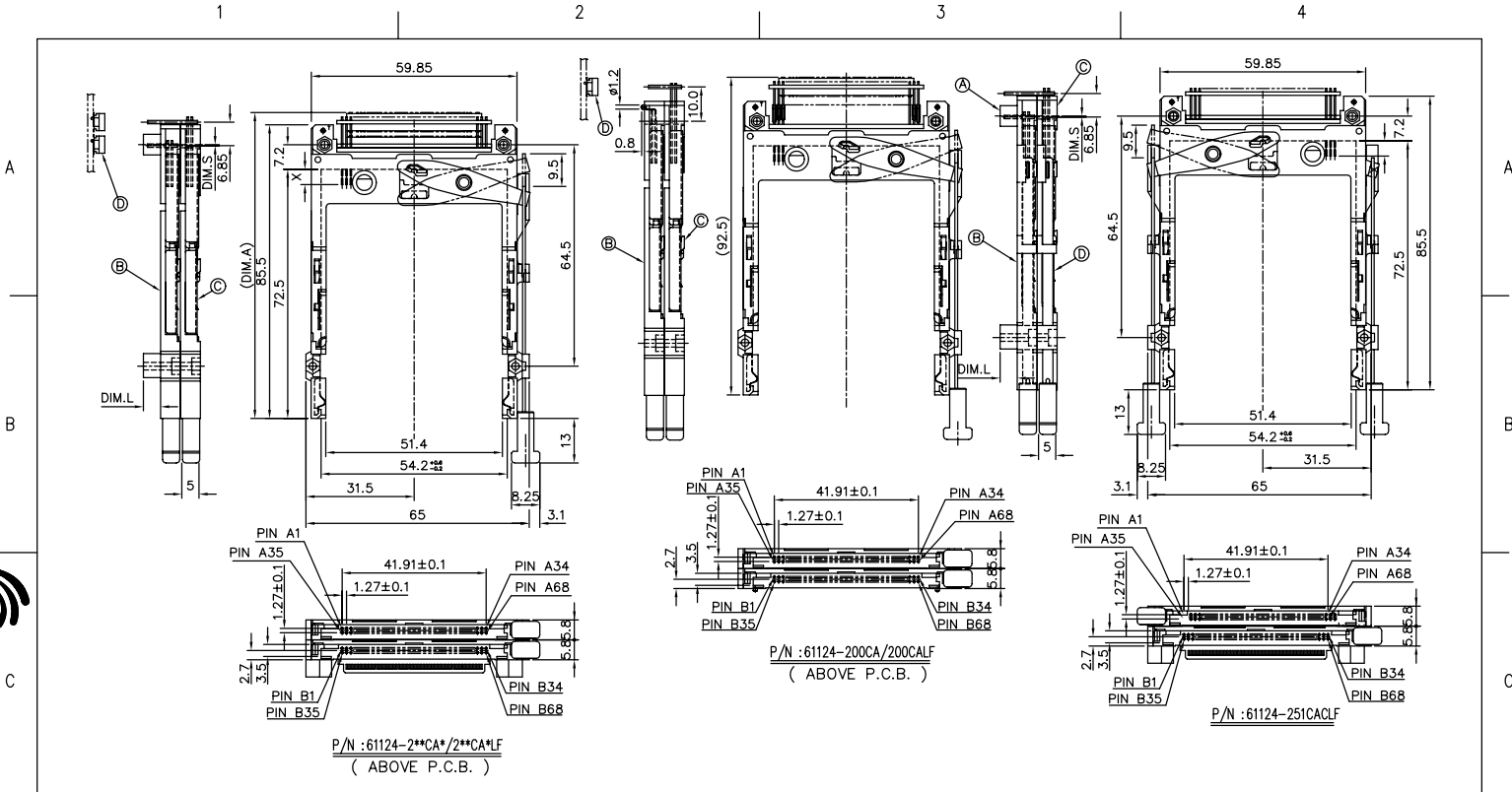
www.fciconnect.com		surface 6.4	tolerance std ISO 1302	projection	MM
Dr	WENDY CHEN	07/06/95	ANGULAR	size A4	Scale 1.000
Eng	L.V. LU	07/06/95	LINEAR	ECN	NII-0015
Chr	JOSEPH HSIA	07/06/95	° ±2°	Spec ref	RELEASE
Appr	JENN TSAO	07/06/95	Product family	61124	
FCJ title		EJECTOR HEADER ASS'Y		2	61124
catalog no		3.3V SMT, TYPE 1/2/3		Rev. H	
				CUSTOMER	sheet 2 of 8



Copyright FCJ



Copyright FCI



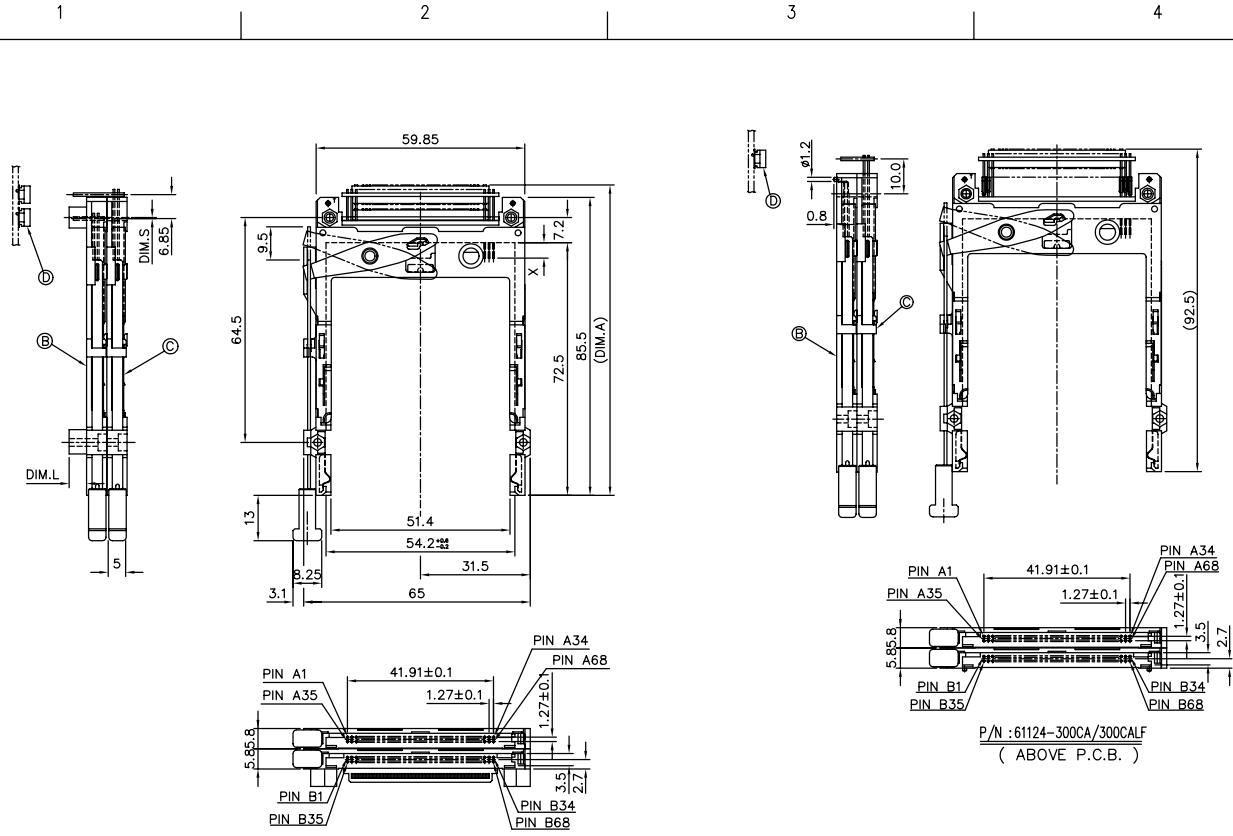
(A) PART NUMBER	DIM.L	DIM.S	DIM.A
61124-220CA	2.2	-0.3	89.05
61124-240CA	4.3	-0.3	89.05
61124-250CA	5.0	-0.3	89.05
61124-220CALF	2.2	-0.3	89.05
61124-240CALF	4.3	-0.3	89.05
61124-250CALF	5.0	-0.3	89.05
61124-220CAC	2.2	-0.3	89.05
61124-240CAC	4.3	-0.3	89.05
61124-250CAC	5.0	-0.3	89.05
61124-220CACLF	2.2	-0.3	89.05
61124-240CACLF	4.3	-0.3	89.05
61124-250CACLF	5.0	-0.3	89.05
61124-251CACLF	5.0	-0.3	89.05

www.fciconnect.com		surface 6.4	tolerance std ISO 1302	projection	MM
		ISO 1302	ISO 406 ISO 1101		
		TOLERANCES UNLESS OTHERWISE SPECIFIED		size A4	Scale 1.000
Dr	WENDY CHEN	07/06/95	ANGULAR	0.X	±0.3
Eng	L.V. LU	07/06/95	LINEAR	0.XX	±0.15
Chr	JOSEPH HSIA	07/06/95	0° ±2°	0.XXX	±0.05
Appr	JENN TSAD	07/06/95	Product family	61124	Spec ref RELEASE
	title		EJECTOR HEADER ASS'Y		Rev. H
			3.3V SMT, TYPE 1/2/3		
	catalog no	CUSTOMER		sheet 3 of 8	

PDM: Rev:H STATUS:Released 4 Printed: Feb 10, 2011



Copyright FCJ



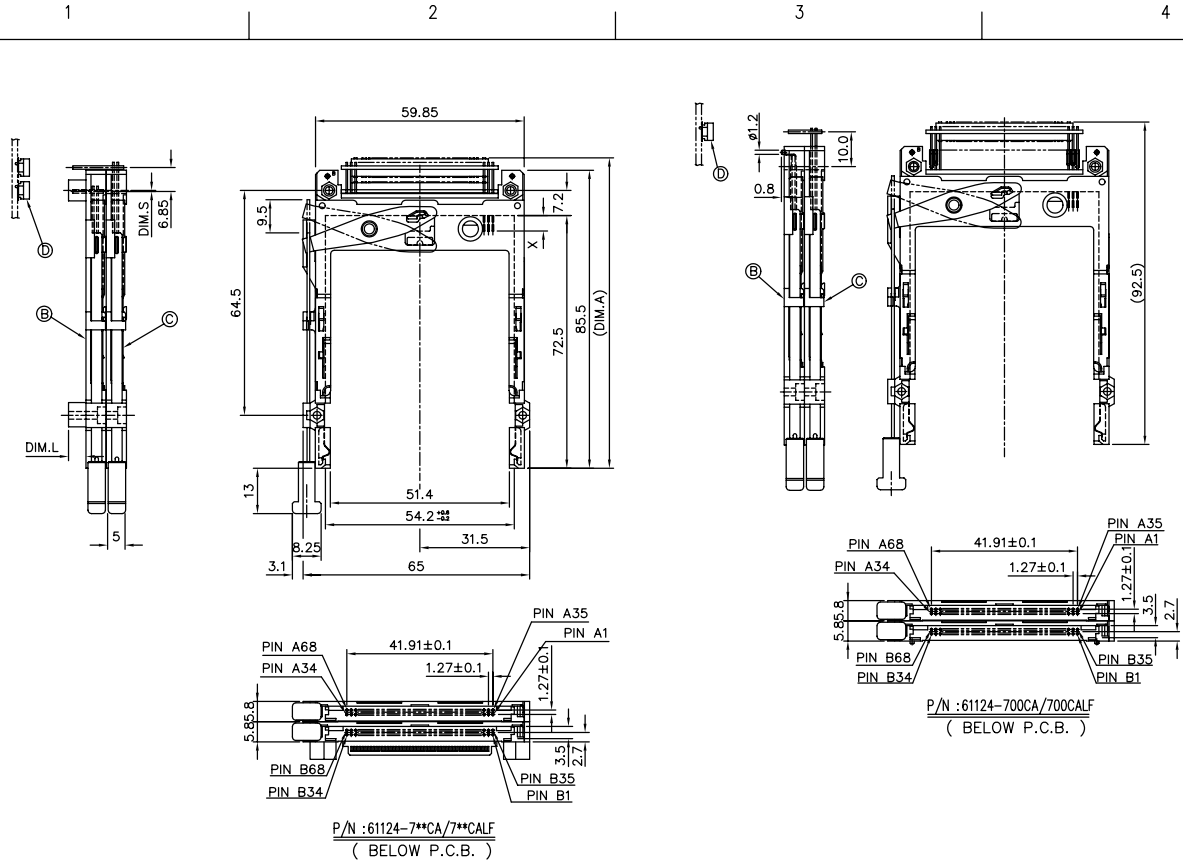
① PART NUMBER	DIM.L	DIM.S	DIM.A
61124-320CA	2.2	-0.3	89.05
61124-340CA	4.3	-0.3	89.05
61124-350CA	5.0	-0.3	89.05
61124-320CALF	2.2	-0.3	89.05
61124-340CALF	4.3	-0.3	89.05
61124-350CALF	5.0	-0.3	89.05
61124-350CACLF	5.0	-0.3	89.05

www.fcconnect.com		surface 6.4	tolerance std	projection	MM
		ISO 1302	ISO 406 ISO 1101		
TOLERANCES UNLESS OTHERWISE SPECIFIED					
Dr	WENDY CHEN	07/06/95	ANGULAR	0.X	±0.3
Eng	L.V. LU	07/06/95	LINEAR	0.XX	±0.15
Chr	JOSEPH HSIA	07/06/95	0° ±2°	0.XXX	±0.05
Appr	JENN TSAD	07/06/95	Product family	61124	Spec ref
		title EJECTOR HEADER ASS'Y 3.3V SMT, TYPE 1/2/3		size 61124	Rev. H
catalog no		CUSTOMER		sheet 4 of 8	

PDM: Rev:H STATUS:Released 4 Printed: Feb 10, 2011



Copyright FCJ



Ⓐ PART NUMBER	DIM.L	DIM.S	DIM.A
61124-720CA	2.2	-0.3	89.05
61124-740CA	4.3	-0.3	89.05
61124-750CA	5.0	-0.3	89.05
61124-720CALF	2.2	-0.3	89.05
61124-740CALF	4.3	-0.3	89.05
61124-750CALF	5.0	-0.3	89.05

REV F - 2008-06-17

www.fcjconnect.com		surface 6.4 ISO 1302	tolerance std ISO 406 ISO 1101	projection A4	MM
TOLERANCES UNLESS OTHERWISE SPECIFIED		0.X	±0.3	Scale 1.000	
Dir WENDY CHEN 07/06/95	07/06/95	ANGULAR	LINEAR	0.XX	±0.15
Eng L.V. LU 07/06/95	07/06/95	0° ±2°	0.XXX	±0.05	ECN N11-0015
Chr JOSEPH HSIA 07/06/95	07/06/95	Product family		61124	Spec ref RELEASE
Appr JENN TSAD 07/06/95	07/06/95	Product family		61124	Spec ref RELEASE
FCJ	title	EJECTOR HEADER ASS'Y 3.3V SMT, TYPE 1/2/3		Rev. H	
catalog no	61124	customer	sheet 5 of 8		

PDM: Rev:H STATUS:Released 4 Printed: Feb 10, 2011



Copyright FCI.

1 2 3 4

A

B

C

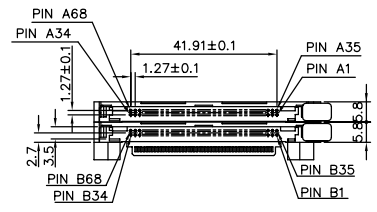
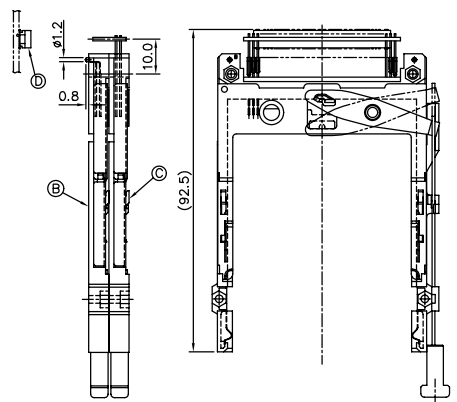
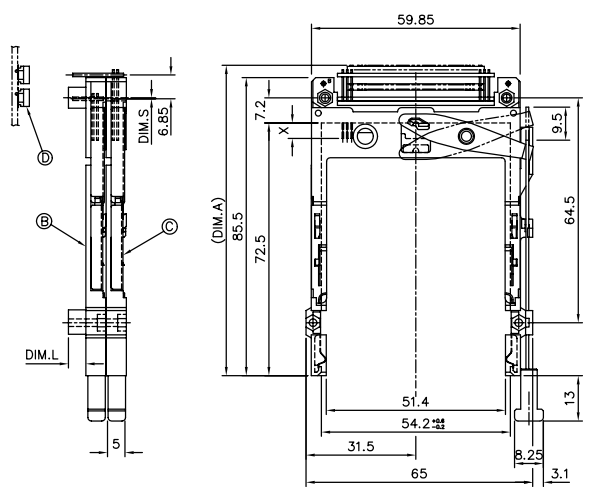
D

A

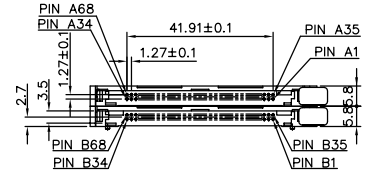
B

C

D



P/N : 61124-8**CA/8**CALF
(BELOW P.C.B.)



P/N : 61124-800CA/800CALF
(BELOW P.C.B.)

④ PART NUMBER	DIM.L	DIM.S	DIM.A
61124-820CA	2.2	-0.3	89.05
61124-840CA	4.3	-0.3	89.05
61124-850CA	5.0	-0.3	89.05
61124-820CALF	2.2	-0.3	89.05
61124-840CALF	4.3	-0.3	89.05
61124-850CALF	5.0	-0.3	89.05

REV F - 2008-06-17

www.fciconnect.com		surface 6.4	tolerance std	projection	MM
		ISO 1302	ISO 406 ISO 1101		←
TOLERANCES UNLESS OTHERWISE SPECIFIED					
Dr	WENDY CHEN	07/06/95	ANGULAR	0.X	±0.3
Eng	L.V. LU	07/06/95	LINEAR	0.XX	±0.15
Chr	JOSEPH HSIA	07/06/95	0° ±2°	0.XXX	±0.05
Appr	JENN TSAO	07/06/95	Product family	61124	Spec ref
			61124	Spec ref	RELEASE
			title		Rev.
			EJECTOR HEADER ASS'Y 3.3V SMT, TYPE 1/2/3		H
			catalog no	CUSTOMER	sheet 6 of 8

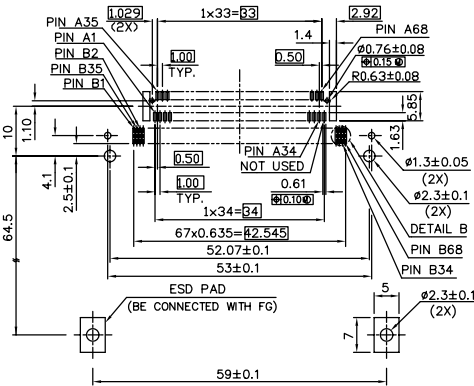
1 2 3 4

PDM: Rev:H

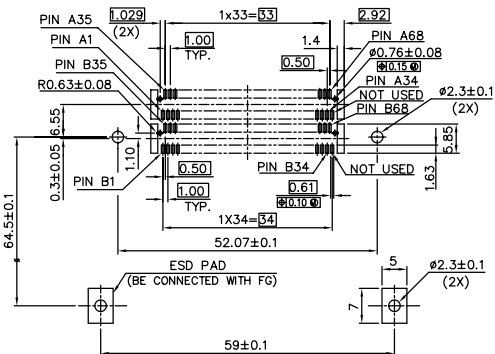
STATUS:Released

4 Printed: Feb 10, 2011

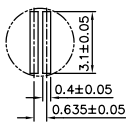
PRODUCT NO.
61124-*****/****LF



4 CARD INSERTION DIRECTION
RECOMMENDED P.C.B. LAYOUT 1 (MOUNTED SIDE)



4 CARD INSERTION DIRECTION
RECOMMENDED P.C.B. LAYOUT 2 (MOUNTED SIDE)



www.fcconnect.com			surface 6.4 ISO 1302	tolerance std ISO 406 ISO 1101	projection MM		
TOLERANCES UNLESS OTHERWISE SPECIFIED							
Dr	WENDY CHEN	07/06/95	ANGULAR	0.X	±0.3	size A4	Scale 1.000
Eng	L.V. LU	07/06/95	LINEAR	0.XX	±0.15	ECN N11-0015	
Chr	JOSEPH HSIA	07/06/95	0° ±2*	0.XXX	±0.05	Spec ref RELEASE	
Appr	JENN TSAD	07/06/95	Product family	61124		Rev. H	
FCJ	title EJECTOR HEADER ASS'Y 3.3V SMT, TYPE 1/2/3		2	61124		sheet 7 of 8	
catalog no		CUSTOMER					

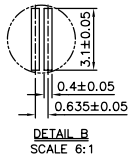
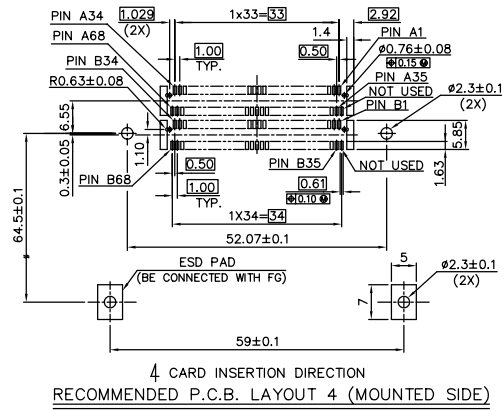
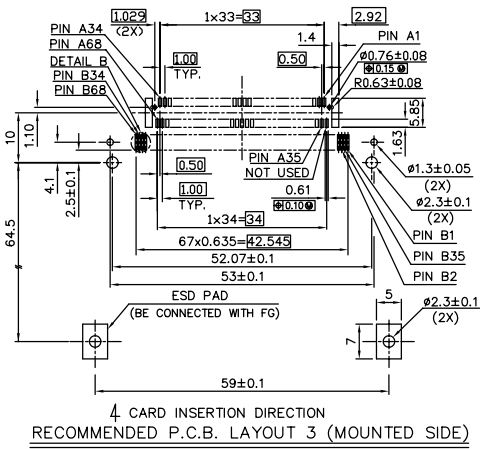
3 PDM: Rev:H STATUS:Released 4 Printed: Feb 10, 2011



Copyright FCJ.

REV 1 - 2009-09-17

PRODUCT
61124-*****/****LF



www.fcconnect.com		surface 6.4	tolerance std ISO 1302	projection	MM
		tolerance std ISO 406 ISO 1101		←→	
TOLERANCES UNLESS OTHERWISE SPECIFIED					
Dr	WENDY CHEN	07/06/95	ANGULAR	0.X	±0.3
Eng	L.V. LU	07/06/95	LINEAR	0.XX	±0.15
Chr	JOSEPH HSIA	07/06/95	0° ±2°	0.XXX	±0.05
Appr	JENN TSAD	07/06/95	Product family	61124	Spec ref
				61124	Rev. H
title EJECTOR HEADER ASS'Y 3.3V SMT, TYPE 1/2/3				customer	sheet 8 of 8

3 PDM: Rev:H STATUS:Released 4 Printed: Feb 10, 2011