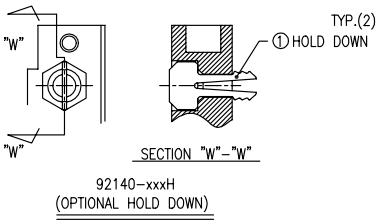
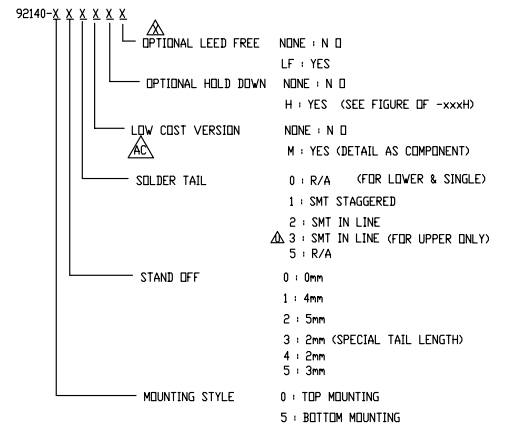


FCI CONFIDENTIAL

FCI  
FCIconnect.com

This document is the property of and embodies CONFIDENTIAL and PROPRIETARY information of FCI. No part of the information shown on this document may be used in any way or disclosed to others without the written consent of FCI. Copyright FCI.

PRODUCT NO.	PRODUCT NO. STAND OFF	SOLDER TAIL	DIM "P" (mm)	DIM "Q" (mm)	FOR LOWER DECK OR UPPER DECK	D HOLD DOWN	INDICATOR FOR SOLDER TAIL ALIGNMENT	SHEET NO.	MOUNTING STYLE TO PCB
92140	92140-XXXX	0	2.8	---	---	---	---		
000	0	R/A	2.8	---	---	---	---		
000M	0	R/A	2.8	---	---	---	---		
000LF	0	R/A	2.8	---	---	---	---		
000MF	0	R/A	2.8	---	---	---	---		
000H	0	R/A	2.8	---	---	---	---		
000HLF	0	R/A	2.8	---	---	---	---		
001	0	SMT STG	---	---	---	---	---		
001LF	0	SMT STG	---	---	---	---	---		
001H	0	SMT STG	---	---	---	---	---		
001HLF	0	SMT STG	---	---	---	---	---		
002	0	SMT IL	---	---	---	---	---		
002LF	0	SMT IL	---	---	---	---	---		
002H	0	SMT IL	---	---	---	---	---		
002HLF	0	SMT IL	---	---	---	---	---		
010	4	R/A	2.8	---	---	---	---		
010LF	4	R/A	2.8	---	---	---	---		
010H	4	R/A	2.8	---	---	---	---		
010HLF	4	R/A	2.8	---	---	---	---		
020	5	R/A	2.8	---	---	---	---		
020LF	5	R/A	2.8	---	---	---	---		
020MF	5	R/A	2.8	---	---	---	---		
020H	5	R/A	2.8	---	---	---	---		
020HLF	5	R/A	2.8	---	---	---	---		
040	2	R/A	2.5	---	---	---	---		
040LF	2	R/A	2.5	---	---	---	---		
040MF	2	R/A	2.5	---	---	---	---		
040H	2	R/A	2.5	---	---	---	---		
040HLF	2	R/A	2.5	---	---	---	---		
050	3	R/A	2.8	---	---	---	---		
050LF	3	R/A	2.8	---	---	---	---		
050H	3	R/A	2.8	---	---	---	---		
050HLF	3	R/A	2.8	---	---	---	---		
005 FBR 0	0	R/A	8.6	---	UPPER	---	---		
005LF FBR 0	0	R/A	8.6	---	UPPER	---	---		
045 FBR 0	0	R/A	10.3	---	UPPER	---	---		
045LF FBR 0	0	R/A	10.3	---	UPPER	---	---		
045H FBR 0	0	R/A	10.3	---	UPPER	---	---		
045HLF FBR 0	0	R/A	10.3	---	UPPER	---	---		
500	0	R/A	2.8	---	---	---	---		
500LF	0	R/A	2.8	---	---	---	---		
500H	0	R/A	2.8	---	---	---	---		
500HLF	0	R/A	2.8	---	---	---	---		
501	0	SMT STG	---	---	---	---	---		
501LF	0	SMT STG	---	---	---	---	---		
501H	0	SMT STG	---	---	---	---	---		
501HLF	0	SMT STG	---	---	---	---	---		
502	0	SMT IL	---	---	---	---	---		
502LF	0	SMT IL	---	---	---	---	---		
502H	0	SMT IL	---	---	---	---	---		
502HLF	0	SMT IL	---	---	---	---	---		
503	0	SMT IL	---	---	---	---	---		
503LF	0	SMT IL	---	---	---	---	---		
510	4	R/A	2.8	---	---	---	---		
510LF	4	R/A	2.8	---	---	---	---		
510H	4	R/A	2.8	---	---	---	---		
510HLF	4	R/A	2.8	---	---	---	---		
520	5	R/A	2.8	---	---	---	---		
520LF	5	R/A	2.8	---	---	---	---		
520H	5	R/A	2.8	---	---	---	---		
520HLF	5	R/A	2.8	---	---	---	---		
530	2	R/A	1.48	---	---	---	---		
530LF	2	R/A	1.48	---	---	---	---		
540	2	R/A	2.5	---	---	---	---		
540LF	2	R/A	2.5	---	---	---	---		
505 FBR 0	0	R/A	8.6	---	UPPER	---	---		
505LF FBR 0	0	R/A	8.6	---	UPPER	---	---		
535 FBR 0	0	R/A	1.48	9.28	UPPER	---	---		
535LF FBR 0	0	R/A	1.48	9.28	UPPER	---	---		
545 FBR 0	0	R/A	2.5	10.3	UPPER	---	---		
545LF FBR 0	0	R/A	2.5	10.3	UPPER	---	---		



NOTE: THIS PRODUCT MEETS EUROPEAN UNION DIRECTIVES AND OTHER COUNTRY REGULATIONS AS DESCRIBED IN GS-22-008.

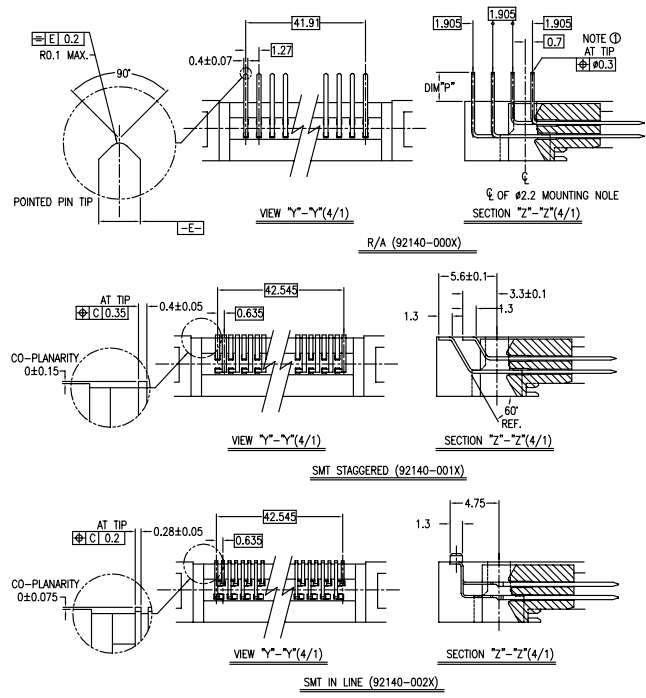
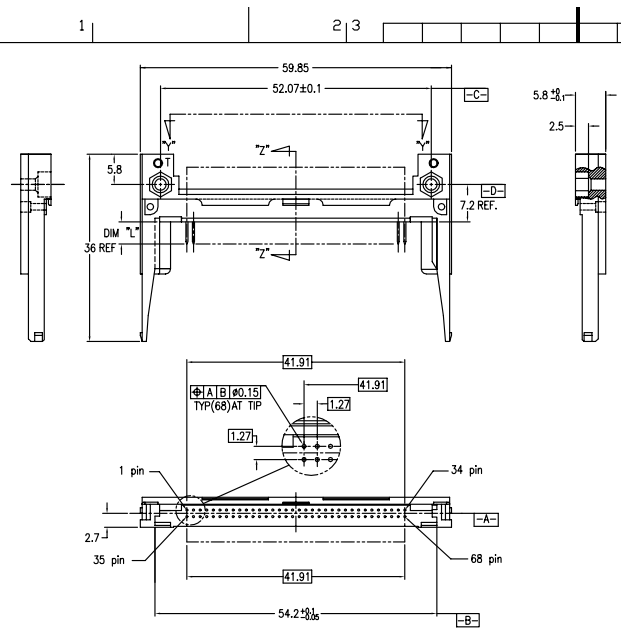
mat'l code	surface	tolerance	projection	product family
	ISO 1302	ISO 406	ISO 110	PCMCIA
tr ecn no dr	date	tolerances unless otherwise specified	title	
AD N06-0288 M.Z	11/22/06	angles	68 POS EJECTOR HEADER ASSY	
AE N07-0026 D.T	1/29/07	linear	FOR 5.0V APPLICATION	
AF N07-0114 C.M	06/14/07	±2	scale	
AG N07-0209 M.Z	11/14/06	dir Mike Zhou	11/21/06	
AH N08-0219 M.Z	11/14/06	engr Mike Zhou	11/21/06	
AJ N09-0045 SH	05/28/09	chr David Qin	11/21/06	
		app Jack Wang	11/21/06	
sheet	revision	AJ	AJ	AJ
index	sheet	1	2	3

FCI CONFIDENTIAL

FCI

This document is the property of and embodies CONFIDENTIAL and PROPRIETARY information of FCI. No part of the information shown on this document may be used in any way or disclosed to others without the written consent of FCI. Copyright © FCI.

PRODUCT NO.
92140-000M
92140-000MLF
92140-000H
92140-000HLF
92140-001
92140-001LF
92140-001H
92140-001HLF
92140-002
92140-002LF
92140-002H
92140-002HLF



- NOTES
- TRUE POSITION IS A FREE GRID TO PIN PATTERN ITSELF.
  - SEE TA-946 FOR PCB LAYOUT.
  - MATERIAL: HOUSING : LCP UL94V-0 BLACK(SPECIAL VERSION MATERIAL: PA46). PIN : PHOSPHOR BRONZE(SPECIAL VERSION MATERIAL:BRASS). HOLD-DOWN : BRASS.
  - FINISH: PIN UNDER PLATING : 0.5µm MIN. Ni. CONTACT AREA : 0.1µm MIN. Au. OVER 0.5µm MIN. Pb-Ni. NOTE:SPECIAL VERSION-ONLY 0.25µm Au. SOLDER AREA : 2.5µm MIN. Sn-Pb. OR 2.5µm MIN. PURE Sn.(FOR -XXXLF) HOLD-DOWN : 2.5µm MIN. PURE Sn.
  - RECOMMENDED PCB HOLE (OPTIONAL HOLD-DOWN) : 2.3±0.1
  - SEQUENCE PIN ASSIGNMENT

DIM	
4.25±0.1	3.5±0.1
36.67	35±0.08
PIN No.	OTHERS

- GENERAL TOLERANCE : ±0.3
- SEE SHEET 1 REGARDING COMPONENTS.

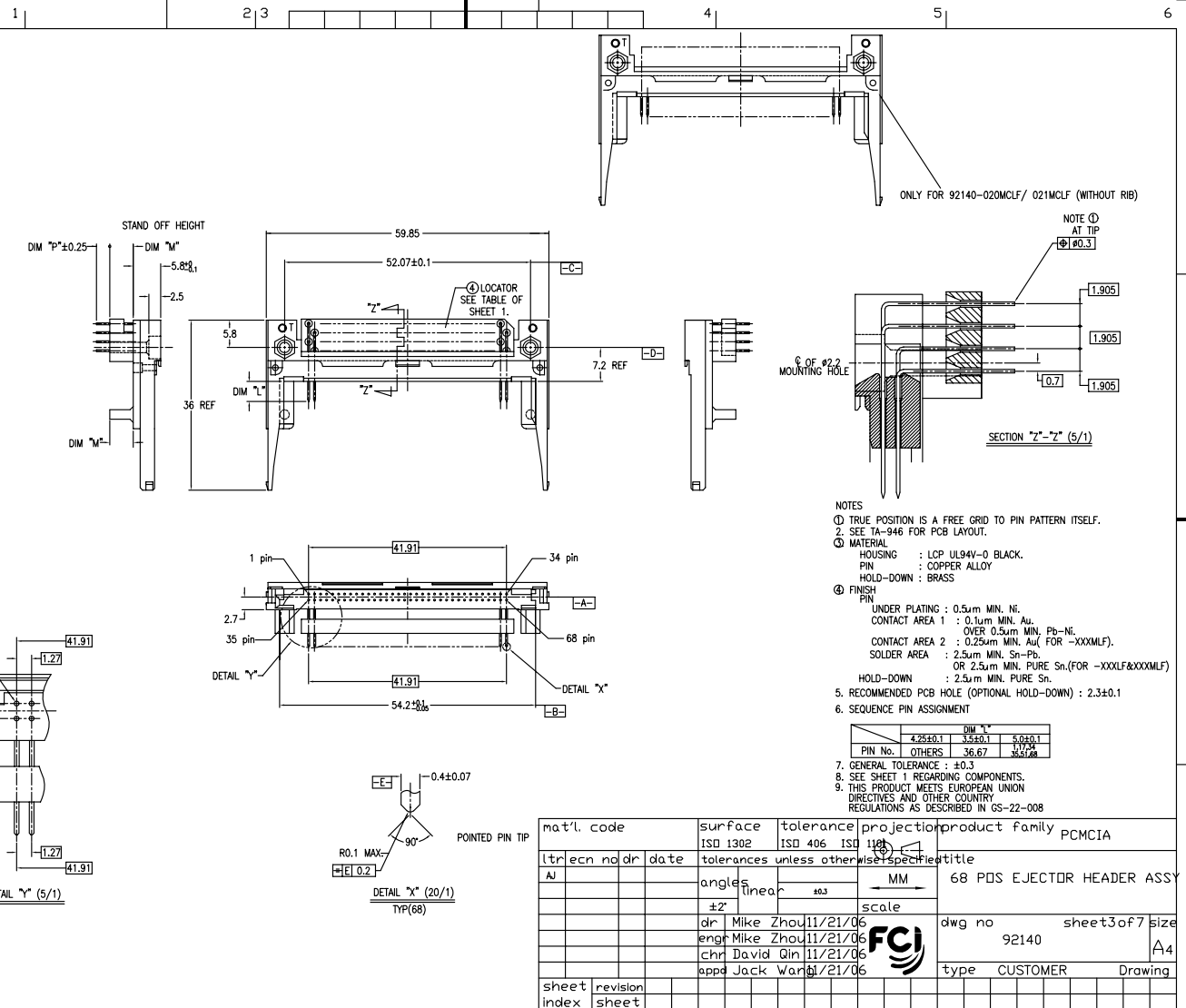
mat'l. code	surface	tolerance	projection	product family
l	ISO 1302	ISO 406	ISO 1101	PCMCIA
tr	angles	linear	MM	68 PDS EJECTOR HEADER ASSY
AJ	±2'	±0.3	scale	
	dr Mike Zhou	11/21/06		dwg no 92140
	eng Mike Zhou	11/21/06		sheet 2 of 7
	chr David Qin	11/21/06		size A4
	app Jack Wang	11/21/06		type CUSTOMER Drawing
sheet	revision			
index	sheet			

FCI CONFIDENTIAL

FCI

This document is the property of and embodies CONFIDENTIAL and PROPRIETARY information of FCI. No part of the information shown on this document may be used in any way or disclosed to others without the written consent of FCI. Copyright © FCI.

PRODUCT NO.	PRODUCT NO.
92140-010	92140-010LF
92140-010H	92140-010HLF
92140-020	92140-020LF
92140-020H	92140-020HLF
92140-040	92140-040LF
92140-050	92140-050LF
92140-050H	92140-050HLF
92140-020MLF	92140-040HLF
92140-021MLF	



- NOTES
- TRUE POSITION IS A FREE GRID TO PIN PATTERN ITSELF.
  - SEE TA-946 FOR PCB LAYOUT.
  - MATERIAL  
HOUSING : LCP UL94V-0 BLACK.  
PIN : COPPER ALLOY  
HOLD-DOWN : BRASS
  - FINISH  
PIN  
UNDER PLATING : 0.5um MIN. Ni.  
CONTACT AREA 1 : 0.1um MIN. Au.  
OVER 0.5um MIN. Pb-Ni.  
CONTACT AREA 2 : 0.25um MIN. Au (FOR -XXXMLF).  
OR 2.5um MIN. PURE Sn (FOR -XXXLF&XXXMLF)  
SOLDER AREA : 2.5um MIN. PURE Sn.  
HOLD-DOWN : 2.5um MIN. PURE Sn.
  - RECOMMENDED PCB HOLE (OPTIONAL HOLD-DOWN) : 2.3±0.1
  - SEQUENCE PIN ASSIGNMENT

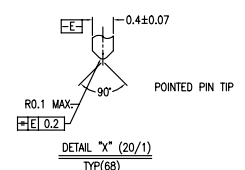
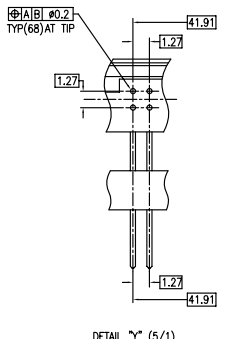
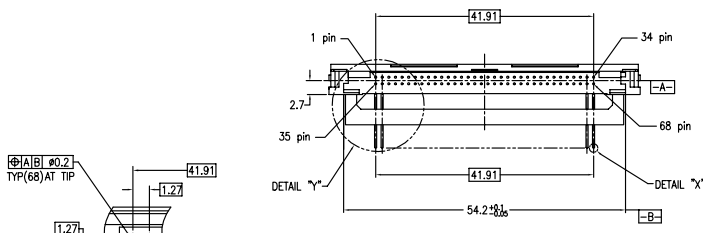
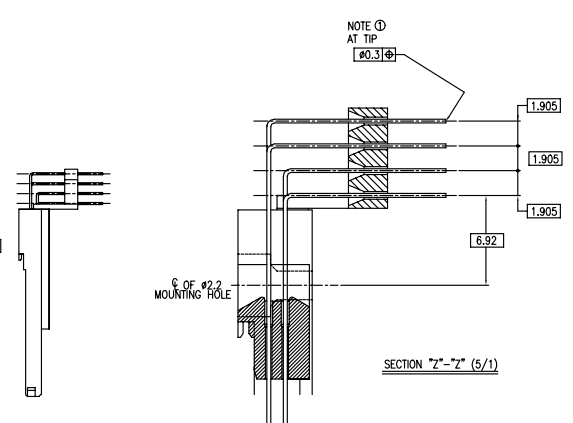
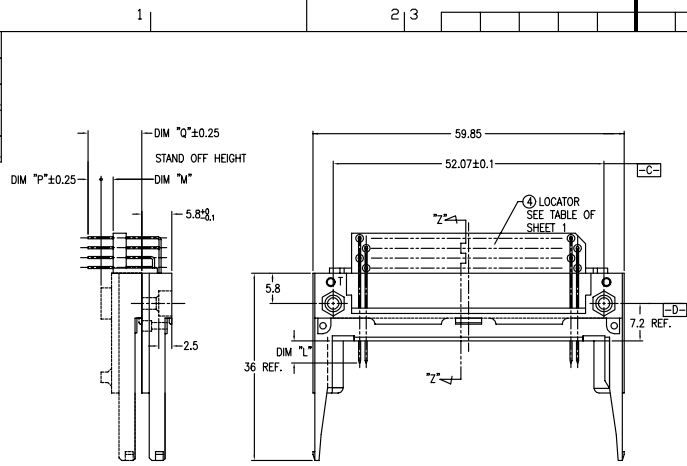
	DIM "L"	
	4.25±0.1	5.0±0.1
PIN No. OTHERS	35±0.1	37±0.1

mat'l. code	surface	tolerance	projection	product family	PCMCIA
tr/ecn no/dr date	ISO 1302	ISO 406 ISO 1101	MM	68 PDS EJECTOR HEADER ASSY	
AJ	angles	linear	±0.3	dwg no 92140 sheet 3 of 7 size A4	
	±2'	scale		type CUSTOMER Drawing	
	dr Mike Zhou 11/21/06				
	eng Mike Zhou 11/21/06				
	chr David Qin 11/21/06				
	app Jack Wang 11/21/06				
sheet index	revision sheet				

PDM: Rev: AJ STATUS Released Printed: Oct 12, 2010 6

FCI CONFIDENTIAL  
 FCI  
 This document is the property of and embodies CONFIDENTIAL and PROPRIETARY information of FCI. No part of the information shown on this document may be used in any way or disclosed to others without the written consent of FCI.  
 Copyright FCI  
 FCIconnect.com

PRODUCT NO.
92140-005
92140-005LF
92140-045
92140-045LF



- NOTES
- TRUE POSITION IS A FREE GRID TO PIN PATTERN ITSELF.
  - SEE TA-346 FOR PCB LAYOUT.
  - MATERIAL
    - HOUSING : LCP UL94V-0 BLACK.
    - PIN : PHOSPHOR BRONZE.
    - HOLD-DOWN : BRASS
  - FINISH
    - PIN
    - UNDER PLATING : 0.5µm MIN. Ni.
    - CONTACT AREA : 0.1µm MIN. Au.
    - OVER 0.5µm MIN. Pb-Ni.
    - SOLDER AREA : 2.5µm MIN. Sn-Pb.
    - OR 2.5µm MIN. PURE Sn.(FOR -XXXLF)
    - HOLD-DOWN : 2.5µm MIN. PURE Sn.
  - RECOMMENDED PCB HOLE (OPTIONAL HOLD-DOWN) : 2.3±0.1
  - SEQUENCE PIN ASSIGNMENT

PIN No.	DIM "Y"		
	4.28±0.1	3.5±0.1	5.0±0.1
OTHERS	36.67	17.74	33.78

- GENERAL TOLERANCE : ±0.3
- SEE SHEET 1 REGARDING COMPONENTS.
- THIS PRODUCT MEETS EUROPEAN UNION DIRECTIVES AND OTHER COUNTRY REGULATIONS AS DESCRIBED IN GS-22-008

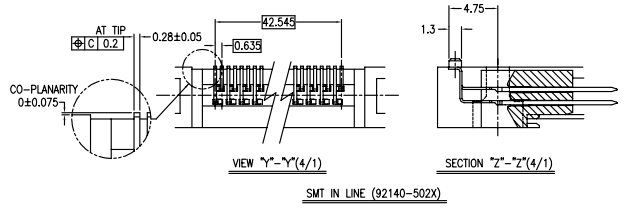
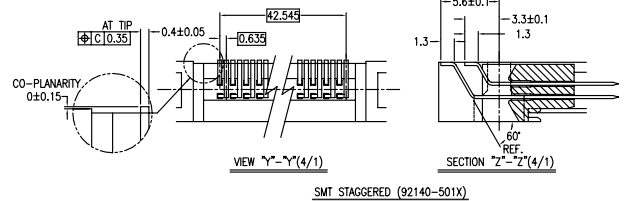
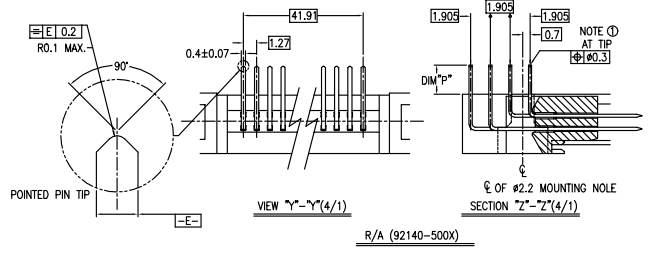
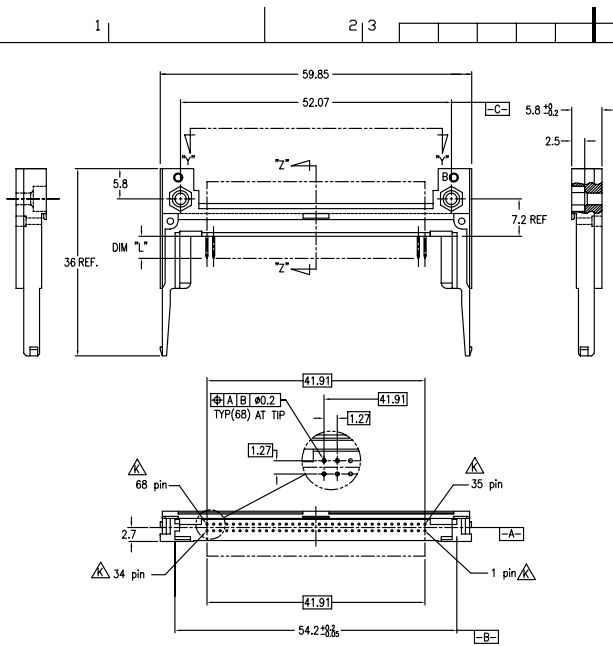
mat'l. code	surface	tolerance	projection	product family	PCMCIA
l/tec n no dr date	ISO 1302	ISO 406	ISO 1101	title	
AJ	angles	linear	±0.3	68 PDS EJECTOR HEADER ASSY FOR 5.0V APPLICATION	
	±2'	linear	MM	dwg no	92140
	dr Mike Zhou	11/21/06	scale	sheet 4 of 7	size A4
	eng Mike Zhou	11/21/06		type	CUSTOMER Drawing
	chr David Qin	11/21/06			
	app Jack Wang	11/21/06			
sheet index	revision sheet				

FCI CONFIDENTIAL

FCI

This document is the property of and embodies CONFIDENTIAL and PROPRIETARY information of FCI. No part of the information shown on this document may be used in any way or disclosed to others without the written consent of FCI. Copyright © FCI.

PRODUCT NO.
92140-500
92140-500LF
92140-500H
92140-500HLF
92140-501
92140-501LF
92140-501H
92140-501HLF
92140-502
92140-502LF
92140-502H
92140-502HLF
92140-503
92140-503LF



- NOTES
- TRUE POSITION IS A FREE GRID TO PIN PATTERN ITSELF.
  - SEE TA-946 FOR PCB LAYOUT.
  - MATERIAL  
HOUSING : LCP UL94V-0 NATURAL  
PIN : PHOSPHOR BRONZE  
HOLD-DOWN : BRASS
  - FINISH  
PIN  
UNDER PLATING : 0.5µm MIN. Ni.  
CONTACT AREA : 0.1µm MIN. Au.  
OVER 0.5µm MIN. Pb-Ni.  
SOLDER AREA : 2.5µm MIN. PURE Sn-Pb.  
OR 2.5µm MIN. PURE Sn.(FOR -XXXLF)  
HOLD-DOWN : 2.5µm MIN. PURE Sn.
  - RECOMMENDED PCB HOLE (OPTIONAL HOLD-DOWN) : 2.3±0.1
  - SEQUENCE PIN ASSIGNMENT

DIM "A"	
PIN No.	OTHERS
4.25±0.1	3.5±0.1
5.0±0.1	3.5±0.1
1.7±0.08	1.7±0.08

- GENERAL TOLERANCE : ±0.3
- SEE SHEET 1 REGARDING COMPONENTS.
- THIS PRODUCT MEETS EUROPEAN UNION DIRECTIVES AND OTHER COUNTRY REGULATIONS AS DESCRIBED IN GS-22-008

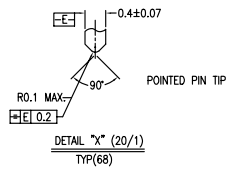
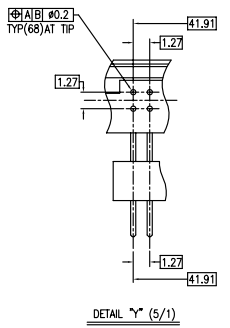
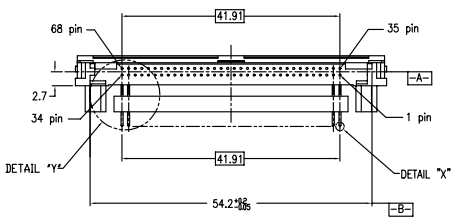
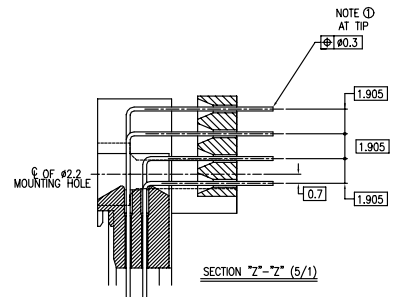
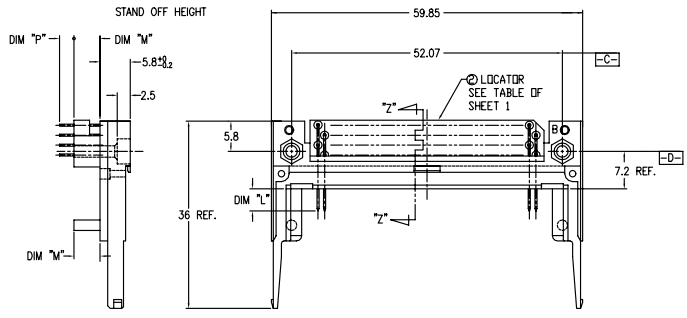
mat'l code	surface	tolerance	projection	product family
	ISO 1302	ISO 406	ISO 1101	PCMCIA
tr/ecc no/dr date	angles	linear	MM	68 PDS EJECTOR HEADER ASSY FOR 5.0V APPLICATION
AJ	±2'	±0.3	scale	
	dr Mike Zhou 11/21/06			dwg no 92140 sheet 5 of 7 size A4
	eng Mike Zhou 11/21/06			
	chr David Qin 11/21/06			
	app Jack Wang 11/21/06			type CUSTOMER Drawing
sheet index	revision sheet			

FCI CONFIDENTIAL

FCI

This document is the property of and embodies CONFIDENTIAL and PROPRIETARY information of FCI. No part of the information shown on this document may be used in any way or disclosed to others without the written consent of FCI. Copyright © FCI.

PRODUCT NO.		
92140-510	92140-510LF $\Delta$	92140-510HLF $\Delta$
92140-520	92140-520LF $\Delta$	
92140-520H $\Delta$	92140-520HLF $\Delta$	
92140-530	92140-530LF $\Delta$	
92140-540	92140-540LF $\Delta$	



- NOTES
- TRUE POSITION IS A FREE GRID TO PIN PATTERN ITSELF.
  - SEE TA-946 FOR PCB LAYOUT.
  - MATERIAL: HOUSING : LCP UL94V-0 NATURAL. PIN : PHOSPHOR BRONZE. HOLD-DOWN : BRASS.
  - FINISH: UNDER PLATING : 0.5µm MIN. Ni. CONTACT AREA : 0.1µm MIN. Au. OVER : 0.5µm MIN. Ni-Pb-Ni. SOLDER AREA : 2.5µm MIN. PURE Sn-Pb. OR 2.5µm MIN. PURE Sn.(FOR -XXXLF) HOLD-DOWN : 2.5µm MIN. PURE Sn.
  - RECOMMENDED PCB HOLE (OPTIONAL HOLD-DOWN) : 2.3±0.1
  - SEQUENCE PIN ASSIGNMENT
- |         | DIM "M"  |         |         |
|---------|----------|---------|---------|
| PIN No. | 4.25±0.1 | 3.5±0.1 | 5.0±0.1 |
| OTHERS  | 36.67    | 35.5    | 35.5    |
- GENERAL TOLERANCE : ±0.3
  - SEE SHEET 1 REGARDING COMPONENTS.
  - THIS PRODUCT MEETS EUROPEAN UNION DIRECTIVES AND OTHER COUNTRY REGULATIONS AS DESCRIBED IN GS-22-008

mat'l. code	surface	tolerance	projection	product family	PCMCIA
ltr ecn no dr date	ISO 1302	ISO 406	ISO 1101	title	
AJ	angles	tolerances unless otherwise specified	MM	68 POS EJECTOR HEADER ASSY FOR 5.0V APPLICATION	
	±2'	±0.3	scale	dwg no	sheet 6 of 7 size
	dr Mike Zhou 11/21/06			92140	A4
	eng Mike Zhou 11/21/06			type	CUSTOMER Drawing
	chr David Qin 11/21/06				
	app Jack Wang 11/21/06				
sheet index	revision sheet				

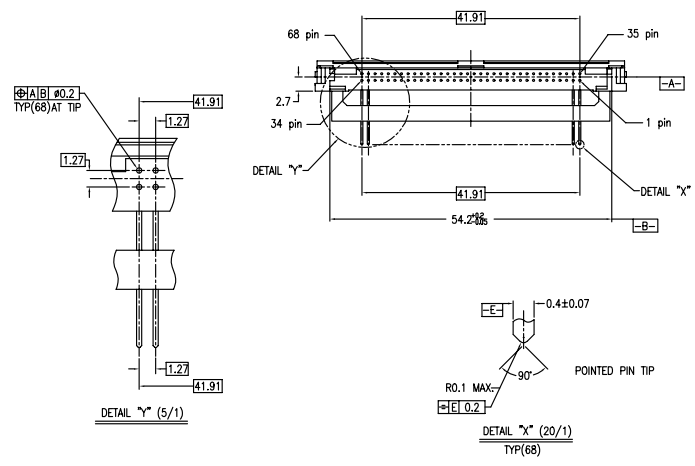
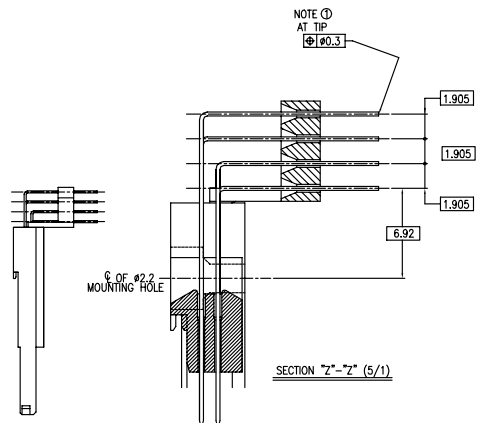
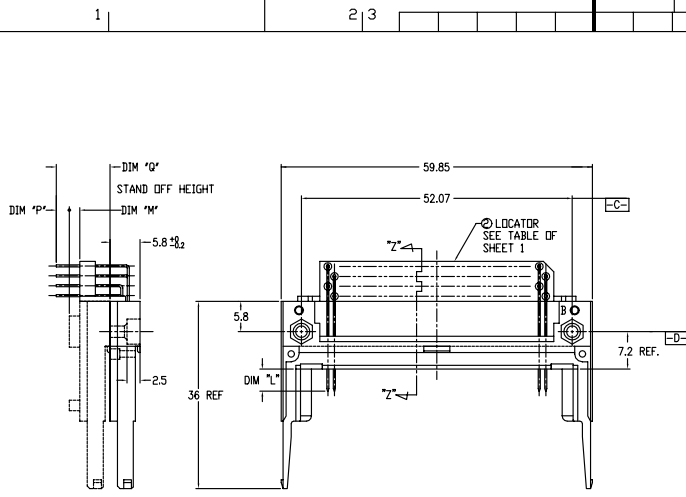
PDM: 4 Rev: AJ STATUS Released Printed: Oct 12, 2010 6

FCI CONFIDENTIAL

FCI

This document is the property of and embodies CONFIDENTIAL and PROPRIETARY information of FCI. No part of the information shown on this document may be used in any way or disclosed to others without the written consent of FCI. Copyright © FCI

PRODUCT NO.
92140-505
92140-505LF
92140-535
92140-535LF
92140-545
92140-545LF



- NOTES
- TRUE POSITION IS A FREE GRID TO PIN PATTERN ITSELF.
  - SEE SHEET 1 REGARDING COMPONENTS.
  - MATERIAL : LCP UL94V-0 NATURAL  
PIN : PHOSPHOR BRONZE  
HOLD-DOWN : BRASS
  - FINISH : UNDER PLATING : 0.5um MIN. Ni  
CONTACT AREA : 0.1um MIN. Au  
OVER : 0.5um MIN. Pb-Ni  
SOLDER AREA : 2.5um MIN. Sn-Pb  
OR 2.5um MIN. PURE Sn.(FOR -XXXLF)  
HOLD-DOWN : 2.5um MIN. PURE Sn.
  - RECOMMENDED PCB HOLE (OPTIONAL HOLD-DOWN) : 2.3±0.1
  - SEQUENCE PIN ASSIGNMENT
- |         | QW       | TY      |
|---------|----------|---------|
|         | 4.25±0.1 | 3.5±0.1 |
| PIN No. | OTHERS   | 36.67   |
- GENERAL TOLERANCE : ±0.3
  - SEE SHEET 1 REGARDING COMPONENTS.
  - THIS PRODUCT MEETS EUROPEAN UNION DIRECTIVES AND OTHER COUNTRY REGULATIONS AS DESCRIBED IN GS-22-008

mat'l. code	surface	tolerance	projection	product family	PCMCIA
	ISO 1302	ISO 406	ISO 1101		
tr.ecn no.dr date	tolerances unless otherwise specified			title	
AJ	angles	linear	±0.3	68 PDS EJECTOR HEADER ASSY FOR 5.0V APPLICATION	
	±2'		MM	dwg no 92140 sheet 7 of 7 size A4	
	dr Mike Zhou 11/21/06		scale	type CUSTOMER Drawing	
	eng Mike Zhou 11/21/06				
	chr David Qin 11/21/06				
	app Jack Wang 11/21/06				
sheet index	revision sheet				