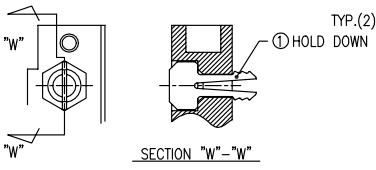
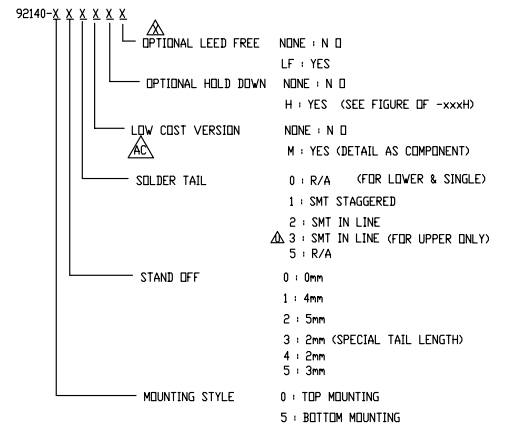


FCI CONFIDENTIAL

FCI

This document is the property of and embodies CONFIDENTIAL and PROPRIETARY information of FCI. No part of the information shown on this document may be used in any way or disclosed to others without the written consent of FCI. Copyright © FCI

PRODUCT NO.	PRODUCT NO. STAND OFF	SOLDER TAIL	DIM "P" (mm)	DIM "Q" (mm)	FOR LOWER DECK OR UPPER DECK	D HOLD DOWN	INDICATOR FOR SOLDER TAIL ALIGNMENT	SHEET NO.	MOUNTING STYLE TO PCB
92140	92140-XXXX	0	2.8	---	---	---	---		
92140	000M	0	R/A	2.8	---	---	---		TOP MOUNT
92140	000MF	0	R/A	2.8	---	---	---		92140-0000
92140	000H	0	R/A	2.8	---	---	---		
92140	000HLF	0	R/A	2.8	---	---	---		
92140	001	0	SMT STG	---	---	---	---	NO2	
92140	001LF	0	SMT STG	---	---	---	---		
92140	001H	0	SMT STG	---	---	---	---		
92140	001HLF	0	SMT STG	---	---	---	---		
92140	002	0	SMT IL	---	---	---	---		
92140	002LF	0	SMT IL	---	---	---	---		
92140	002H	0	SMT IL	---	---	---	---		
92140	002HLF	0	SMT IL	---	---	---	---		
92140	010	4	R/A	2.8	---	---	---		
92140	010LF	4	R/A	2.8	---	---	---		
92140	010H	4	R/A	2.8	---	---	---		
92140	010HLF	4	R/A	2.8	---	---	---		
92140	020	5	R/A	2.8	---	---	---		
92140	020LF	5	R/A	2.8	---	---	---		
92140	020H	5	R/A	2.8	---	---	---		
92140	020HLF	5	R/A	2.8	---	---	---		
92140	040	2	R/A	2.5	---	---	---		
92140	040LF	2	R/A	2.5	---	---	---		
92140	040H	2	R/A	2.5	---	---	---		
92140	040HLF	2	R/A	2.5	---	---	---		
92140	050	3	R/A	2.8	---	---	---		
92140	050LF	3	R/A	2.8	---	---	---		
92140	050H	3	R/A	2.8	---	---	---		
92140	050HLF	3	R/A	2.8	---	---	---		
92140	085	FDR 0	R/A	8.6	UPPER	---	---		
92140	085LF	FDR 0	R/A	8.6	UPPER	---	---		
92140	045	FDR 2	R/A	10.3	UPPER	---	---		
92140	045LF	FDR 2	R/A	10.3	UPPER	---	---		
92140	045H	FDR 2	R/A	10.3	UPPER	---	---		
92140	500	0	R/A	2.8	---	---	---		BOTTOM MOUNT
92140	500LF	0	R/A	2.8	---	---	---		92140-5000
92140	500H	0	R/A	2.8	---	---	---		
92140	500HLF	0	R/A	2.8	---	---	---		
92140	501	0	SMT STG	---	---	---	---		
92140	501LF	0	SMT STG	---	---	---	---		
92140	501H	0	SMT STG	---	---	---	---		
92140	501HLF	0	SMT STG	---	---	---	---		
92140	502	0	SMT IL	---	---	---	---		
92140	502LF	0	SMT IL	---	---	---	---		
92140	502H	0	SMT IL	---	---	---	---		
92140	502HLF	0	SMT IL	---	---	---	---		
92140	503	0	SMT IL	---	---	---	---		
92140	503LF	0	SMT IL	---	---	---	---		
92140	510	4	R/A	2.8	---	---	---		
92140	510LF	4	R/A	2.8	---	---	---		
92140	510H	4	R/A	2.8	---	---	---		
92140	510HLF	4	R/A	2.8	---	---	---		
92140	520	5	R/A	2.8	---	---	---		
92140	520LF	5	R/A	2.8	---	---	---		
92140	520H	5	R/A	2.8	---	---	---		
92140	520HLF	5	R/A	2.8	---	---	---		
92140	530	2	R/A	1.48	---	---	---		
92140	530LF	2	R/A	1.48	---	---	---		
92140	540	2	R/A	2.5	---	---	---		
92140	540LF	2	R/A	2.5	---	---	---		
92140	505	FDR 0	R/A	8.6	UPPER	---	---		
92140	505LF	FDR 0	R/A	8.6	UPPER	---	---		
92140	535	FDR 2	R/A	1.48	UPPER	---	---		
92140	535LF	FDR 2	R/A	1.48	UPPER	---	---		
92140	545	FDR 2	R/A	2.5	UPPER	---	---		
92140	545LF	FDR 2	R/A	2.5	UPPER	---	---		



NOTE: THIS PRODUCT MEETS EUROPEAN UNION DIRECTIVES AND OTHER COUNTRY REGULATIONS AS DESCRIBED IN GS-22-008.

mat'l code	surface	tolerance	projection	product family
	ISO 1302	ISO 406	ISO 110	PCMCIA
tr ecn no dr	date	tolerances unless otherwise specified	title	
AD N06-0288 M.Z	11/22/06	angles	linear	68 POS EJECTOR HEADER ASSY
AE N07-0026 D.T	1/29/07	±2	scale	FDR 5.0V APPLICATION
AF N07-0114 C.M	06/14/07	±2	scale	
AG N07-0209 M.Z	11/14/06	dir Mike Zhou	11/21/06	dwg no 92140 sheet 1 of 7 size A4
AH N08-0219 M.Z	11/14/06	engr Mike Zhou	11/21/06	
AJ N09-0045 SH	05/28/09	chr David Qin	11/21/06	type CUSTOMER Drawing
		app Jack Wang	11/21/06	

sheet index	revision	AJ	AJ	AJ	AJ	AJ	AJ	AJ	AJ	AJ	AJ	AJ	AJ	AJ	AJ	AJ	AJ	AJ	AJ	AJ
	sheet	1	2	3	4	5	6	7												

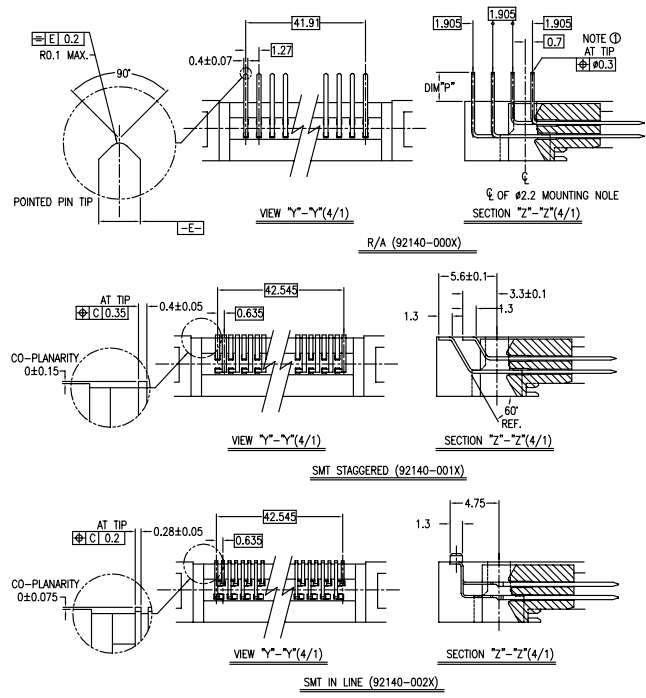
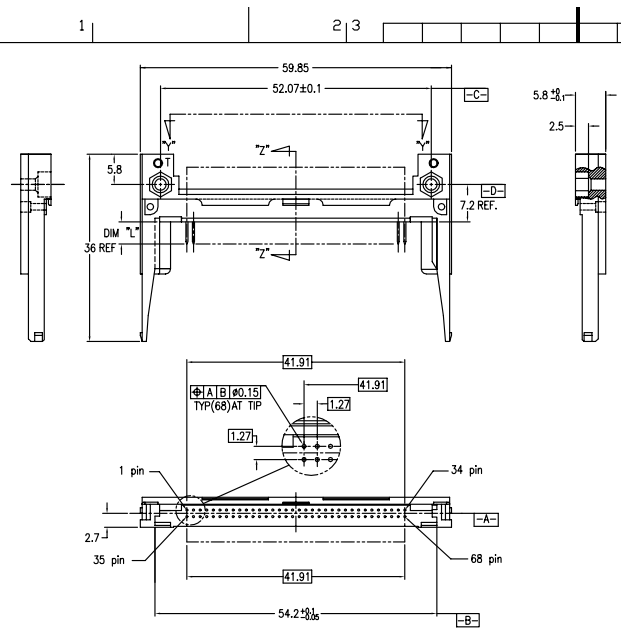
PDM: Rev:AJ STATUS Released Printed: Oct 12, 2010

FCI CONFIDENTIAL

FCI

This document is the property of and embodies CONFIDENTIAL and PROPRIETARY information of FCI. No part of the information shown on this document may be used in any way or disclosed to others without the written consent of FCI. Copyright © FCI.

PRODUCT NO.
92140-000M
92140-000MLF
92140-000H
92140-000HLF
92140-001
92140-001LF
92140-001H
92140-001HLF
92140-002
92140-002LF
92140-002H
92140-002HLF



- NOTES
- TRUE POSITION IS A FREE GRID TO PIN PATTERN ITSELF.
 - SEE TA-946 FOR PCB LAYOUT.
 - MATERIAL: HOUSING : LCP UL94V-0 BLACK(SPECIAL VERSION MATERIAL: PA46). PIN : PHOSPHOR BRONZE(SPECIAL VERSION MATERIAL:BRASS). HOLD-DOWN : BRASS.
 - FINISH: PIN UNDER PLATING : 0.5µm MIN. Ni. CONTACT AREA : 0.1µm MIN. Au. OVER 0.5µm MIN. Pb-Ni. NOTE:SPECIAL VERSION-ONLY 0.25µm Au. SOLDER AREA : 2.5µm MIN. Sn-Pb. OR 2.5µm MIN. PURE Sn.(FOR -XXXLF) HOLD-DOWN : 2.5µm MIN. PURE Sn.
 - RECOMMENDED PCB HOLE (OPTIONAL HOLD-DOWN) : 2.3±0.1
 - SEQUENCE PIN ASSIGNMENT

DIM	
4.25±0.1	3.5±0.1
5.0±0.1	3.0±0.1
OTHERS	36.67

- GENERAL TOLERANCE : ±0.3
- SEE SHEET 1 REGARDING COMPONENTS.

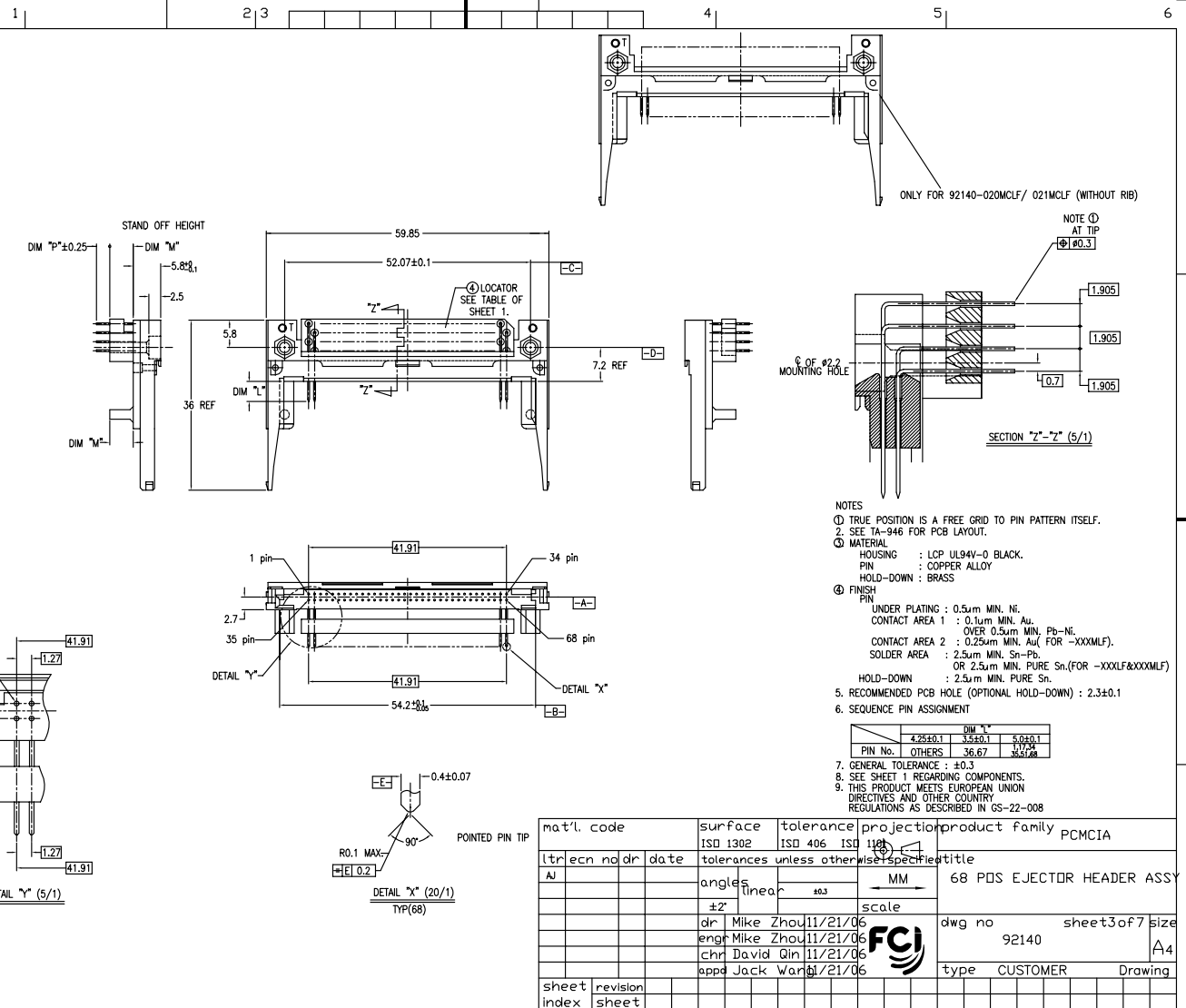
mat'l. code	surface	tolerance	projection	product family
l	ISO 1302	ISO 406	ISO 1101	PCMCIA
tr	angles	linear	MM	68 PDS EJECTOR HEADER ASSY
ec	±2'	±0.3	scale	
n	dr Mike Zhou	11/21/06	dwg no	sheet2of7 size
d	eng Mike Zhou	11/21/06	92140	A4
r	chr David Qin	11/21/06	type	CUSTOMER Drawing
e	app Jack Wang	11/21/06		
sheet	revision			
index	sheet			

FCI CONFIDENTIAL

FCI

This document is the property of and embodies CONFIDENTIAL and PROPRIETARY information of FCI. No part of the information shown on this document may be used in any way or disclosed to others without the written consent of FCI. Copyright © FCI.

PRODUCT NO.	PRODUCT NO.
92140-010	92140-010LF
92140-010H	92140-010HLF
92140-020	92140-020LF
92140-020H	92140-020HLF
92140-040	92140-040LF
92140-050	92140-050LF
92140-050H	92140-050HLF
92140-020MLF	92140-040HLF
92140-021MLF	



- NOTES
- TRUE POSITION IS A FREE GRID TO PIN PATTERN ITSELF.
 - SEE TA-946 FOR PCB LAYOUT.
 - MATERIAL
HOUSING : LCP UL94V-0 BLACK.
PIN : COPPER ALLOY
HOLD-DOWN : BRASS
 - FINISH
PIN
UNDER PLATING : 0.5um MIN. Ni.
CONTACT AREA 1 : 0.1um MIN. Au.
OVER 0.5um MIN. Pb-Ni.
CONTACT AREA 2 : 0.25um MIN. Au (FOR -XXXMLF).
OR 2.5um MIN. PURE Sn (FOR -XXXLF&XXXMLF)
SOLDER AREA : 2.5um MIN. PURE Sn.
HOLD-DOWN : 2.5um MIN. PURE Sn.
 - RECOMMENDED PCB HOLE (OPTIONAL HOLD-DOWN) : 2.3±0.1
 - SEQUENCE PIN ASSIGNMENT

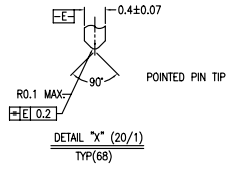
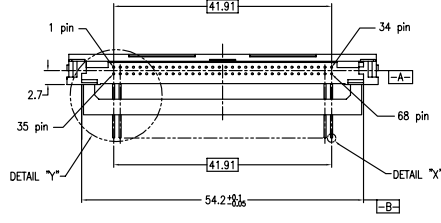
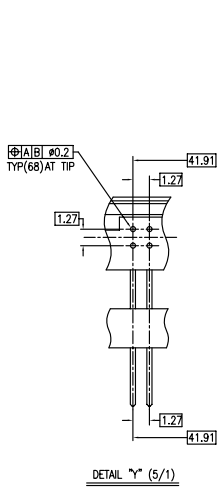
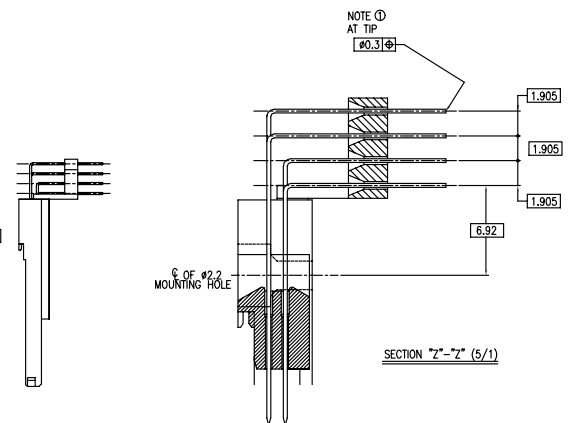
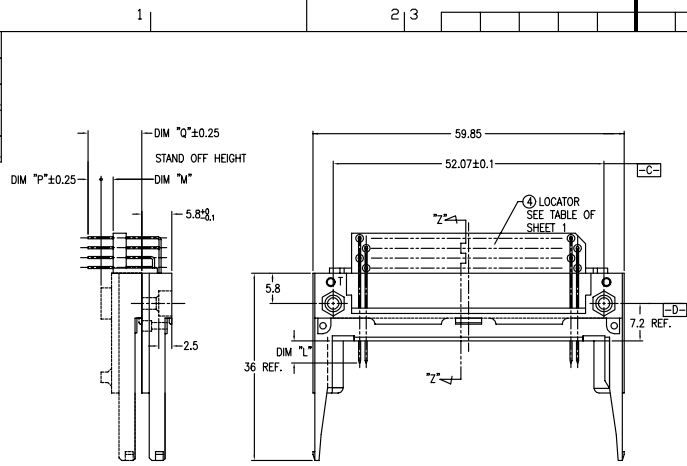
	DIM "L"	
	4.25±0.1	5.0±0.1
PIN No. OTHERS	35±0.1	37±0.1

mat'l. code	surface	tolerance	projection	product family
	ISO 1302	ISO 406	ISO 1101	PCMCIA
tr/ecc no/dr date	tolerances unless otherwise specified			
AJ	angles	linear	MM	68 PDS EJECTOR HEADER ASSY
	±2'	±0.3	scale	
	dr Mike Zhou 11/21/06			dwg no 92140 sheet 3 of 7 size A4
	eng Mike Zhou 11/21/06			
	chr David Qin 11/21/06			
	app Jack Wang 11/21/06			type CUSTOMER Drawing
sheet index	revision sheet			

PDM: Rev: AJ STATUS Released Printed: Oct 12, 2010 6

FCI CONFIDENTIAL
 FCI
 This document is the property of and embodies CONFIDENTIAL and PROPRIETARY information of FCI. No part of the information shown on this document may be used in any way or disclosed to others without the written consent of FCI.
 Copyright FCI.

PRODUCT NO.
92140-005
92140-005LF
92140-045
92140-045LF



- NOTES
- TRUE POSITION IS A FREE GRID TO PIN PATTERN ITSELF.
 - SEE TA-346 FOR PCB LAYOUT.
 - MATERIAL: HOUSING : LCP UL94V-0 BLACK. PIN : PHOSPHOR BRONZE. HOLD-DOWN : BRASS.
 - FINISH: UNDER PLATING : 0.5µm MIN. Ni. CONTACT AREA : 0.1µm MIN. Au. OVER 0.5µm MIN. Pb-Ni. SOLDER AREA : 2.5µm MIN. Sn-Pb. OR 2.5µm MIN. PURE Sn.(FOR -XXXLF) HOLD-DOWN : 2.5µm MIN. PURE Sn.
 - RECOMMENDED PCB HOLE (OPTIONAL HOLD-DOWN) : 2.3±0.1
 - SEQUENCE PIN ASSIGNMENT
- | PIN No. | DIM "Y" | | |
|---------|----------|---------|---------|
| | 4.28±0.1 | 3.5±0.1 | 5.0±0.1 |
| OTHERS | 36.67 | 17.74 | 33.78 |
- GENERAL TOLERANCE : ±0.3
 - SEE SHEET 1 REGARDING COMPONENTS.
 - THIS PRODUCT MEETS EUROPEAN UNION DIRECTIVES AND OTHER COUNTRY REGULATIONS AS DESCRIBED IN GS-22-008

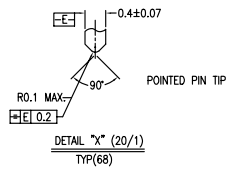
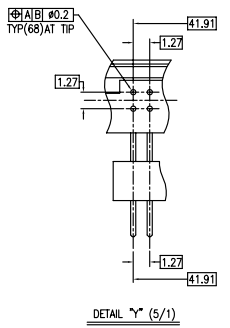
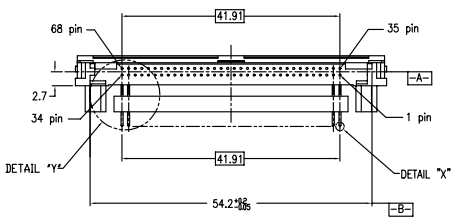
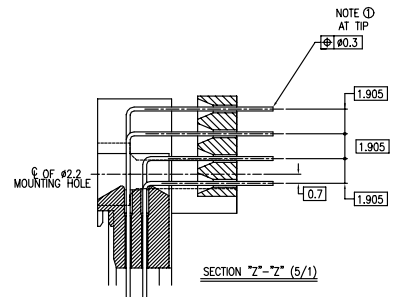
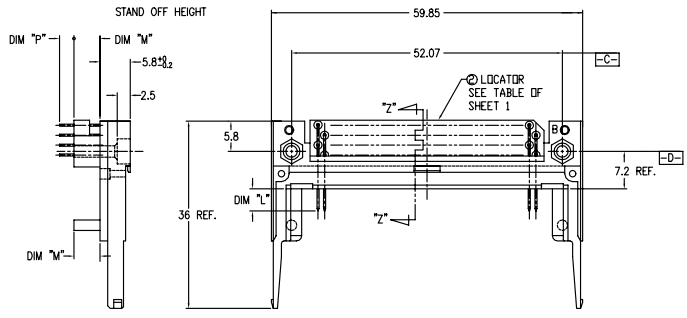
mat'l. code	surface	tolerance	projection	product family	PCMCIA
l/tecn no/dr date	ISO 1302	ISO 406	ISO 1101	title	
AJ	angles	linear	±0.3	68 PDS EJECTOR HEADER ASSY FOR 5.0V APPLICATION	
	±2'	linear	MM	dwg no	sheet 4 of 7 size
	dr Mike Zhou	11/21/06	scale	92140	A4
	eng Mike Zhou	11/21/06		type	CUSTOMER Drawing
	chr David Qin	11/21/06			
	app Jack Wang	11/21/06			
sheet	revision				
index	sheet				

FCI CONFIDENTIAL

FCI

This document is the property of and embodies CONFIDENTIAL and PROPRIETARY information of FCI. No part of the information shown on this document may be used in any way or disclosed to others without the written consent of FCI. Copyright © FCI.

PRODUCT NO.		
92140-510	92140-510LF Δ	92140-510HLF Δ
92140-520	92140-520LF Δ	
92140-520H Δ	92140-520HLF Δ	
92140-530	92140-530LF Δ	
92140-540	92140-540LF Δ	



- NOTES
- TRUE POSITION IS A FREE GRID TO PIN PATTERN ITSELF.
 - SEE TA-946 FOR PCB LAYOUT.
 - MATERIAL: HOUSING : LCP UL94V-0 NATURAL. PIN : PHOSPHOR BRONZE. HOLD-DOWN : BRASS.
 - FINISH: UNDER PLATING : 0.5µm MIN. Ni. CONTACT AREA : 0.1µm MIN. Au. OVER : 0.5µm MIN. Ni-Pb-Ni. SOLDER AREA : 2.5µm MIN. PURE Sn-Pb. OR 2.5µm MIN. PURE Sn (FOR -XXXLF). HOLD-DOWN : 2.5µm MIN. PURE Sn.
 - RECOMMENDED PCB HOLE (OPTIONAL HOLD-DOWN) : 2.3±0.1
 - SEQUENCE PIN ASSIGNMENT
- | PIN No. | DIM "M" | | |
|---------|----------|---------|---------|
| | 4.25±0.1 | 3.5±0.1 | 5.0±0.1 |
| OTHERS | 36.67 | 35.51 | 35.51 |
- GENERAL TOLERANCE : ±0.3
 - SEE SHEET 1 REGARDING COMPONENTS.
 - THIS PRODUCT MEETS EUROPEAN UNION DIRECTIVES AND OTHER COUNTRY REGULATIONS AS DESCRIBED IN GS-22-008

mat'l. code	surface	tolerance	projection	product family	PCMCIA
ltr ecn no dr date	ISO 1302	ISO 406	ISO 1101	title	
AJ	angles	tolerances unless otherwise specified	MM	68 POS EJECTOR HEADER ASSY FOR 5.0V APPLICATION	
	±2'	±0.3	scale	dwg no	92140
	dr Mike Zhou 11/21/06			sheet 6 of 7	size A4
	eng Mike Zhou 11/21/06			type	CUSTOMER Drawing
	chr David Qin 11/21/06				
	app Jack Wang 11/21/06				
sheet index	revision sheet				

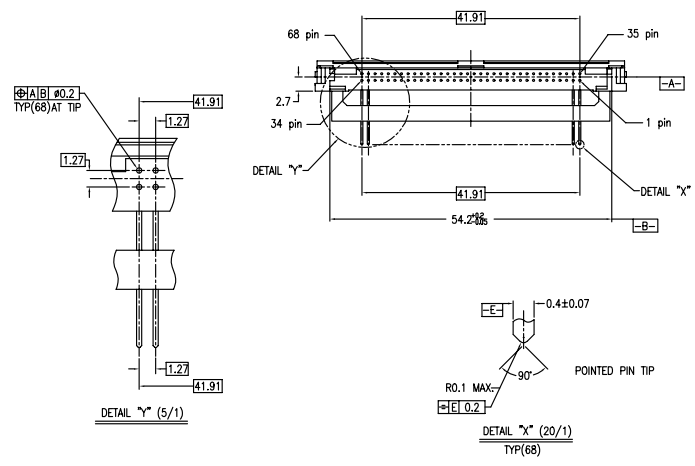
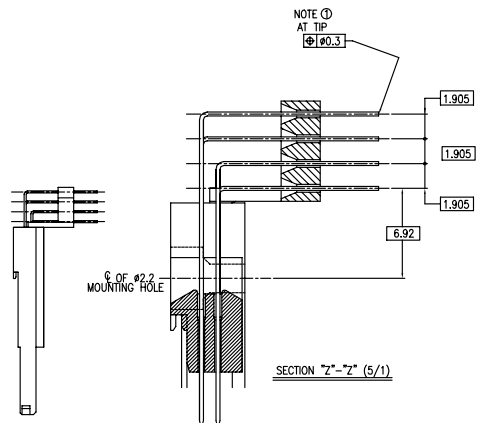
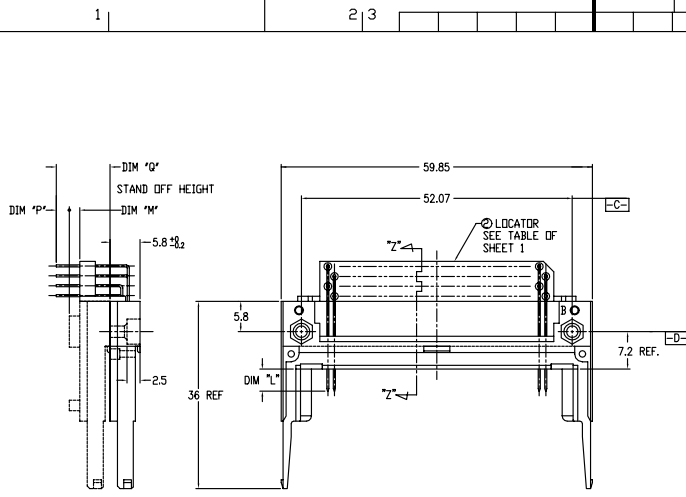
PDM: Rev: AJ STATUS Released Printed: Oct 12, 2010 6

FCI CONFIDENTIAL

FCI

This document is the property of and embodies CONFIDENTIAL and PROPRIETARY information of FCI. No part of the information shown on this document may be used in any way or disclosed to others without the written consent of FCI. Copyright © FCI

PRODUCT NO.
92140-505
92140-505LF
92140-535
92140-535LF
92140-545
92140-545LF



- NOTES
- TRUE POSITION IS A FREE GRID TO PIN PATTERN ITSELF.
 - SEE SHEET 1 REGARDING COMPONENTS.
 - MATERIAL : LCP UL94V-0 NATURAL
PIN : PHOSPHOR BRONZE
HOLD-DOWN : BRASS
 - FINISH : UNDER PLATING : 0.5µm MIN. Ni
CONTACT AREA : 0.1µm MIN. Au
OVER : 0.5µm MIN. Pb-Ni
SOLDER AREA : 2.5µm MIN. Sn-Pb
OR 2.5µm MIN. PURE Sn.(FOR -XXXLF)
HOLD-DOWN : 2.5µm MIN. PURE Sn.
 - RECOMMENDED PCB HOLE (OPTIONAL HOLD-DOWN) : 2.3±0.1
 - SEQUENCE PIN ASSIGNMENT
- | | QW | TY |
|----------|---------|---------|
| 4.25±0.1 | 3.5±0.1 | 5.0±0.1 |
| PIN No. | OTHERS | 36.67 |
- GENERAL TOLERANCE : ±0.3
 - SEE SHEET 1 REGARDING COMPONENTS.
 - THIS PRODUCT MEETS EUROPEAN UNION DIRECTIVES AND OTHER COUNTRY REGULATIONS AS DESCRIBED IN GS-22-008

mat'l code	surface	tolerance	projection	product family	PCMCIA
tr ecn no dr date	ISO 1302	ISO 406	ISO 1101	title	68 PDS EJECTOR HEADER ASSY FOR 5.0V APPLICATION
AJ	angles	linear	±0.3	MM	
	±2'		scale		
	dr Mike Zhou	11/21/06		dwg no	92140
	eng Mike Zhou	11/21/06		sheet	7 of 7
	chr David Qin	11/21/06		size	A4
	app Jack Wang	11/21/06		type	CUSTOMER Drawing
sheet	revision				
index	sheet				