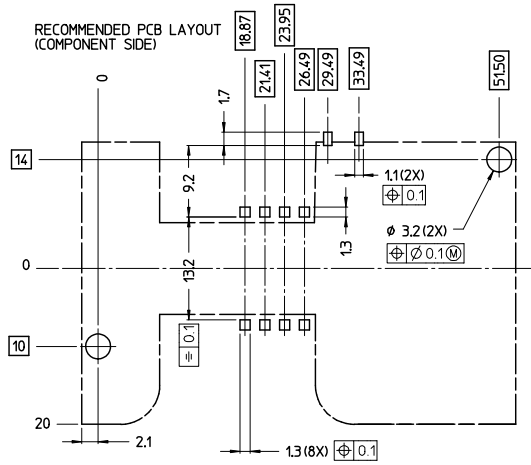
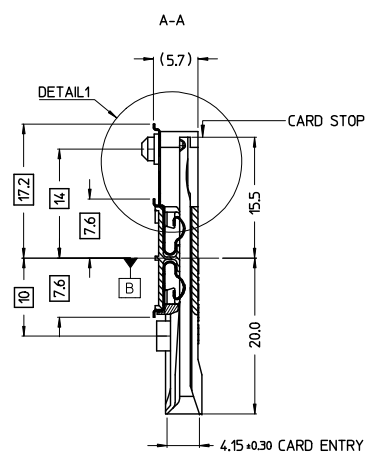
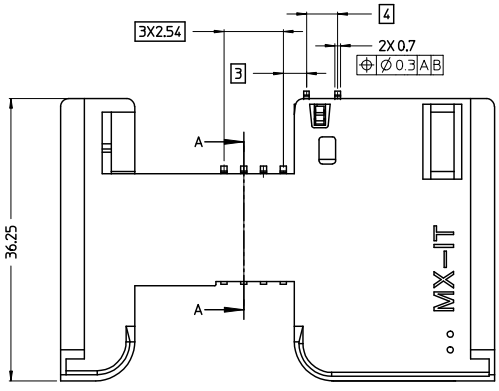
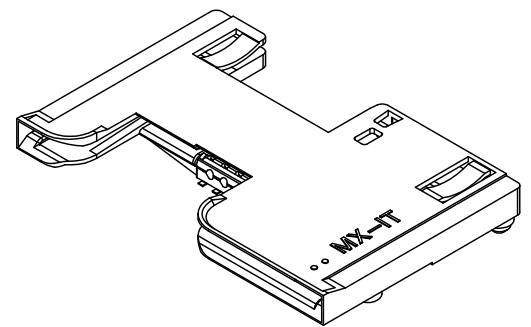
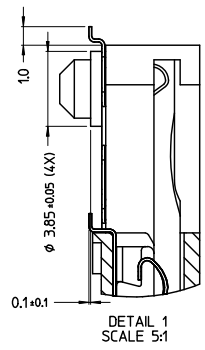
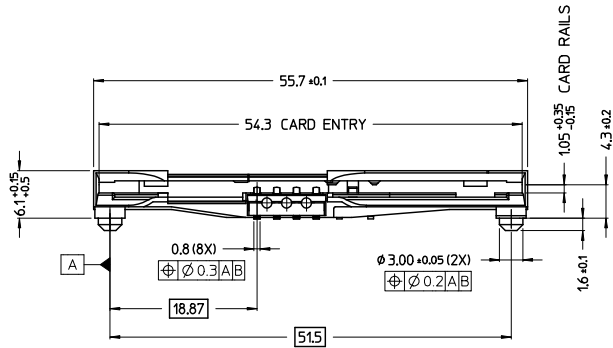


10 9 8 7 6 5 4 3 2 1



MATERIALS:
 HOUSING - LCP GLASS FILLED BLACK COLOR
 TERMINALS - PbZr CuSn8 (C521) 0.15mm THICK
PLATING:
 CONTACT AREA - 127um Au MIN OVER 2-4.5um Ni
 SOLDERING AREA - 3.8um Sn MIN OVER 2-4.5um Ni
 PACKAGING: TRAYS IN BOX (SEE DRW PK-94304-010)

NOTES:
 - REFLOW SOLDERING PROFILE ACCORDING TO CECC0802
 - COPLANARITY OF METAL SOLDERING SURFACES 0.15mm
 - THE GUIDE IS COMPATIBLE WITH ISO/IEC 7816-2 (identification cards - Integrated circuit(s) cards with contacts)
 - OTHER PRODUCT CHARACTERISTICS ACCORDING TO PS-94304-010

STD. DESCR.: 'SMART CARD CONN SMT 8 CKT W/SW N.O.'

| | | | | | | | | |
|---|-------------------------------|---|---------|----------------------------|--------------------|--|------------------------------|------------------------|
| E.C. NO: Z2009-0136 DRWNGZJUN 2009/05/25 CHYKHI SANI ESSO 2009/06/04 APPR:FBI SELLO 2009/06/09 | QUALITY SYMBOLS ▽=0 ▽=0 | GENERAL TOLERANCES (UNLESS SPECIFIED) | | DIMENSION STYLE MM ONLY | | SCALE 2:1 | DESIGN UNITS METRIC | FIRST ANGLE PROJECTION |
| | | 4 PLACES ± --- ± --- 3 PLACES ± --- ± --- 2 PLACES ± 0.05 ± --- 1 PLACE ± 0.15 ± --- ANGULAR ± 2° | mm INCH | DRAWN BY GZJUN | DATE 2005/05/13 | TITLE SMART CARD CONNECTOR 8 CKT W/SWITCH N.O. | | |
| REV A1 | DESCRIPTION | DRAFT WHERE APPLICABLE MUST REMAIN WITHIN DIMENSIONS | | CHECKED BY RSANDANO | DATE 2005/05/13 | MOLEX INCORPORATED | | |
| | | MATERIAL NO. 94304-0108 | | APPROVED BY FBI SELLO | | DATE 2005/05/13 | DOCUMENT NO. SD-94304-010 | SHEET NO. 1 OF 1 |

tb_frame_A3_P_AM.FJ
 Rev. D 2004/06/28

9 8 7 6 5 4 3 2 1