

PIN NUMBER	DIM. L
25,26	3.50
ALL OTHER PINS	4.25
1, 13, 38, 50	5.00

NOTES :

- MATERIAL :  
 INSULATOR : HIGH TEMPERATURE THERMOPLASTIC  
 FLAMMABILITY RATING: UL94V-0  
 COLOR: IVORY  
 CONTACT : COPPER ALLOY  
 GROUND MOUNTING EAR: COPPER ALLOY
- PLATING :  
 CONTACT AREA: SELECTIVE GOLD (SEE P/N DESCRIPTION)  
 UNDER PLATING: 50u" NICKEL OVERALL  
 SOLDER TAIL AREA: 100u" TIN/LEAD OR 100u" MATTE TIN  
 GROUND MOUNT EAR AREA: 100u" TIN/LEAD OR 100u" MATTE TIN
- SOLDERTAILS TO BE WITHIN 0.05 UPWARD  
 AND 0.2 DOWNWARD FROM Z-DATUM PLACE,  
 AND COPLANARITY OF SOLDER TAILS TO BE  
 WITHIN 0.10mm.
- PRODUCT SPEC: GS-12-240.
- PACKAGING SPEC: GS-14-980.

mat'l. code				tolerances unless otherwise specified		CUSTOMER COPY	FCJ	
ltr	ecn no	dr	date	linear	.X ± 0.30	projection	www.fciconnect.com	
A	T04-0429	A.C	12/16/04		.XX ± 0.20		title	
B	T05-0256	A.C	11/09/05		.XXX ± 0.10		CF HEADER TYPE II NORMAL	
C	T06-0172	A.C	10/09/06	angles	0° ± 2°		S/O=0.0MM	
D	T09-1097	S.LIN	07/09/09	dr	ALLEN CHANG 12/16/04	MM	product family	CF
E	T09-1113	S.LIN	09/03/09	engr	ALLEN CHANG 12/16/04		size	dwg no
F	T09-1144	S.LIN	11/27/09	chr	STERLING LIN 12/16/04	scale	A4	10044078
				appd	H.C LIU 12/16/04	NA		
sheet index	revision sheet	F	F					
		1	2					

ACAD PDM: Rev:F STATUS:Released cage code Printed: Dec 01, 2009

Tous droits strictement reserves. Reproduction ou communication a des tiers interdite sous quelque forme que ce soit sans autorisation ecrite du proprietaire. Propriete de c FCI. Droits de reproduction FCI.

All rights strictly reserved. Reproduction or issue to third parties in any form whatever is not permitted without written authority from the proprietor. Property of FCI. Copyright FCI.

Tous droits strictement réservés. Reproduction ou communication à des tiers interdite sous quelque forme que ce soit sans autorisation écrite du propriétaire. Propriété de c FCI. Droits de reproduction FCI.



All rights strictly reserved. Reproduction or issue to third parties in any form whatever is not permitted without written authority from the proprietor. Property of FCI. Copyright FCI.

6. Part Number Description:

P/N: 10044078-XX50XX

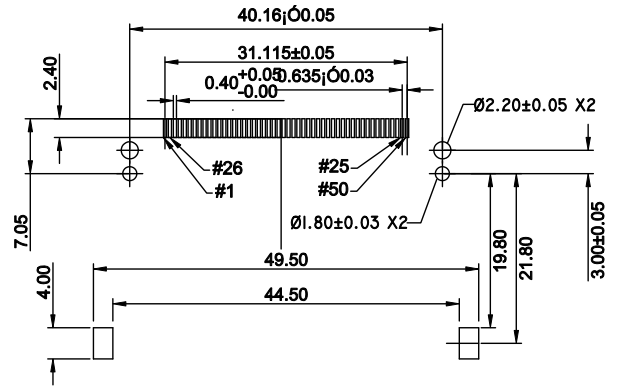
PLATING ON SOLDER TAIL AREA:  
 BLANK: 100u" TIN/LEAD.  
 LF: 100u" MATTE TIN.

BLANK: WITHOUT CAP+TRAY PACKING  
 2: WITH CAP+TRAY PACKING  
 3: WITH CAP+T&R PACKING

PIN COUNT.

KEY TYPE:  
 0: NORMAL TYPE

GOLD PLATING:  
 B: 10u" GOLD PLATE  
 E: 30u" GOLD PLATE



General Tolerance +/-0.05mm  
 Recommended PCB Pattern

- 7. THE HOUSING WILL WITHSTAND EXPOSURE TO 260°C PEAK TEMPERATURE FOR 10 SECONDS IN A CONVECTION, IR OR VAPER PHASE REFLOW OVEN.
- 8. THIS PRODUCT (10053867-XXXXXLF) MEETS THE EUROPEAN UNION DIRECTIVE AS DESCRIBED IN GS-22-008.

mat'l. code				tolerances unless otherwise specified		CUSTOMER COPY		FCI		www.fciconnect.com	
ltr	ecn no	dr	date	linear	.X ± 0.30	projection	title				
F	-	-	-		.XX ± 0.20		CF HEADER TYPE II NORMAL				
				angles	.XXX ± 0.10		S/O=0.0MM				
					0° ± 2°	MM	product family CF				code
				dr	ALLEN CHANG 12/16/04	scale	size  dwg no				TWN
				engr	ALLEN CHANG 12/16/04	NA	10044078				sheet
				chr	STERLING LIN 12/16/04						2 of 2
				appd	H.C LIU 12/16/04						
sheet index	revision sheet										

ACAD PDM: Rev:F STATUS: Released cage code Printed: Dec 01, 2009