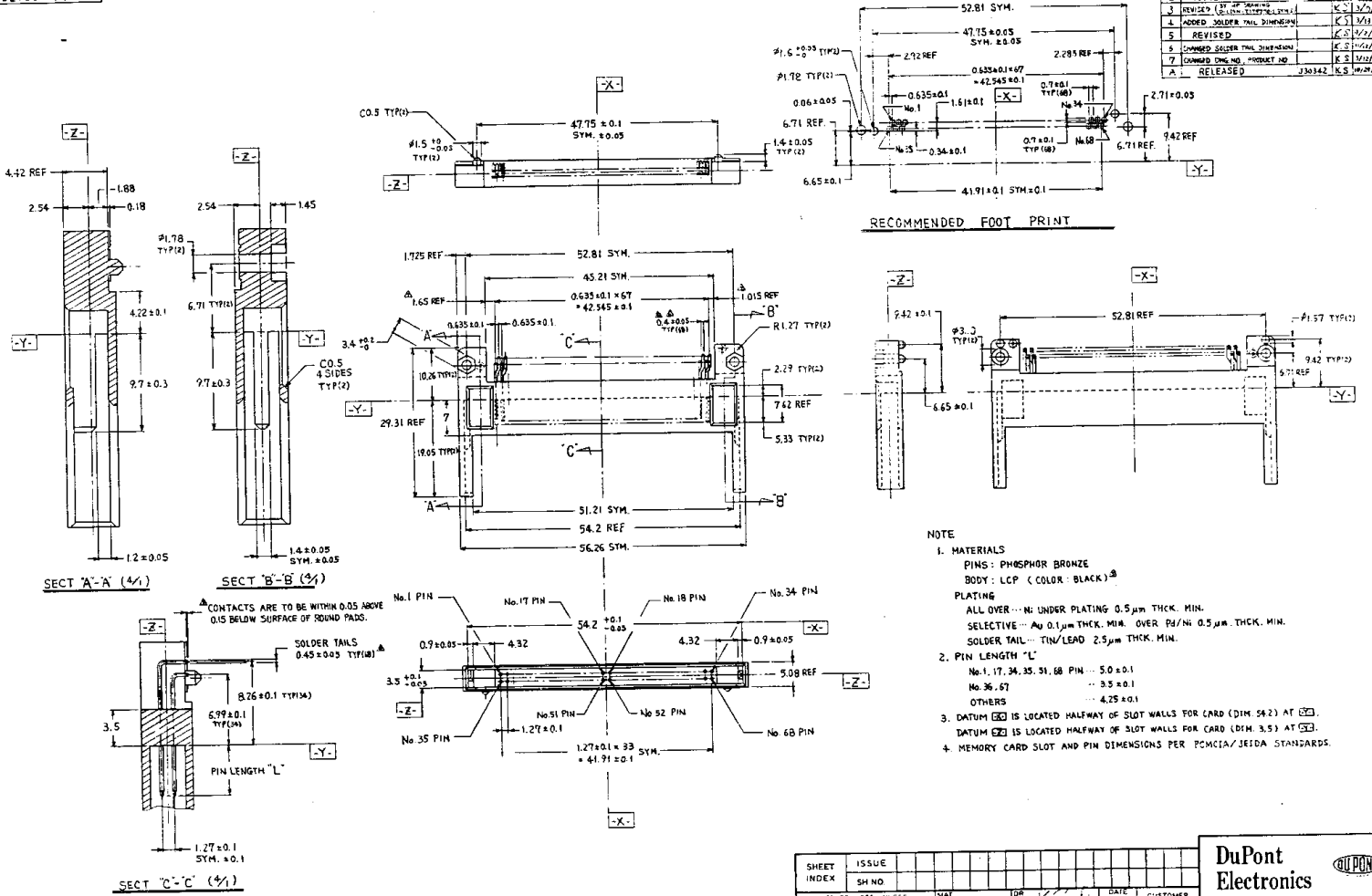


PRODUCT NO.  
92155-001

REVISIONS				
REV	DESCRIPTION	ECN	BY	DATE
1	SKETCHED		K.S.	3/27/92
2	REVISED		K.S.	3/27/92
3	REVISED (BY APP. SIGNATURE)		K.S.	3/27/92
4	ADDED SOLDER TAIL DIMENSIONS		K.S.	3/27/92
5	REVISED		K.S.	3/27/92
6	CHANGED SOLDER TAIL DIMENSIONS		K.S.	3/27/92
7	CHANGED DIM. NO. PRODUCT NO.		K.S.	3/27/92
A	RELEASED	J30342	K.S.	3/27/92



- NOTE
- MATERIALS  
PINS - PHOSPHOR BRONZE  
BODY - LCP (COLOR: BLACK)<sup>3</sup>  
PLATING  
ALL OVER --- Ni UNDER PLATING 0.5µm THICK. MIN.  
SELECTIVE --- Au 0.1µm THICK. MIN. OVER Pd/Ni 0.5µm THICK. MIN.  
SOLDER TAIL --- TIN/LEAD 2.5µm THICK. MIN.
  - PIN LENGTH "L"  
No. 1, 17, 34, 35, 51, 68 PIN --- 50.0 ± 0.1  
No. 36, 57 --- 3.5 ± 0.1  
OTHERS --- 4.25 ± 0.1
  - DATUM  $\square$  IS LOCATED HALFWAY OF SLOT WALLS FOR CARD (DIM. 54.2) AT  $\square$ .  
DATUM  $\square$  IS LOCATED HALFWAY OF SLOT WALLS FOR CARD (DIM. 3.5) AT  $\square$ .
  - MEMORY CARD SLOT AND PIN DIMENSIONS PER PCMCIA/JEIDA STANDARDS.

SHEET INDEX	ISSUE	SH NO.	DATE	CUSTOMER COPY	<b>DuPont Electronics</b> TITLE: 68 POS. HEADER SCALE: SIZE (UNITS) NO. 92155 (UK 279.38) A 1:10F
TOLERANCES UNLESS OTHERWISE SPECIFIED		MM	DATE	COPY	
LINEAR	± 0.2	MM	3/27/92		
ANGLES	± 2°	MM	3/27/92		

PDM: Rev:A STATUS:Released Printed: Feb 06, 2008