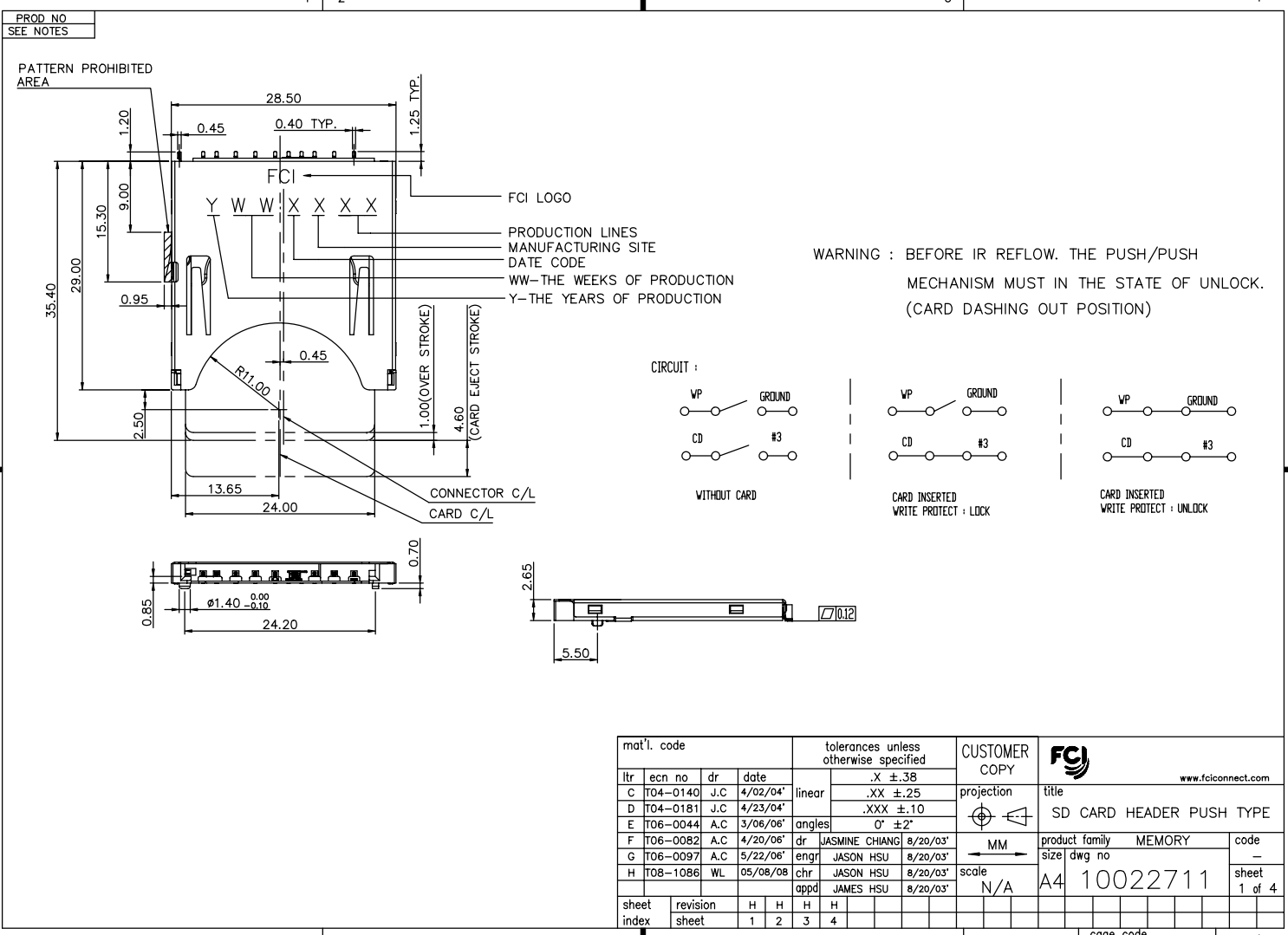


Tous droits strictement réservés. Reproduction ou communication à des tiers interdite sous quelque forme que ce soit sans autorisation écrite du propriétaire. Propriété de c FCI. Droits de reproduction FCI.



All rights strictly reserved. Reproduction or issue to third parties in any form whatever is not permitted without written authority from the proprietor. Property of FCI. Copyright FCI.



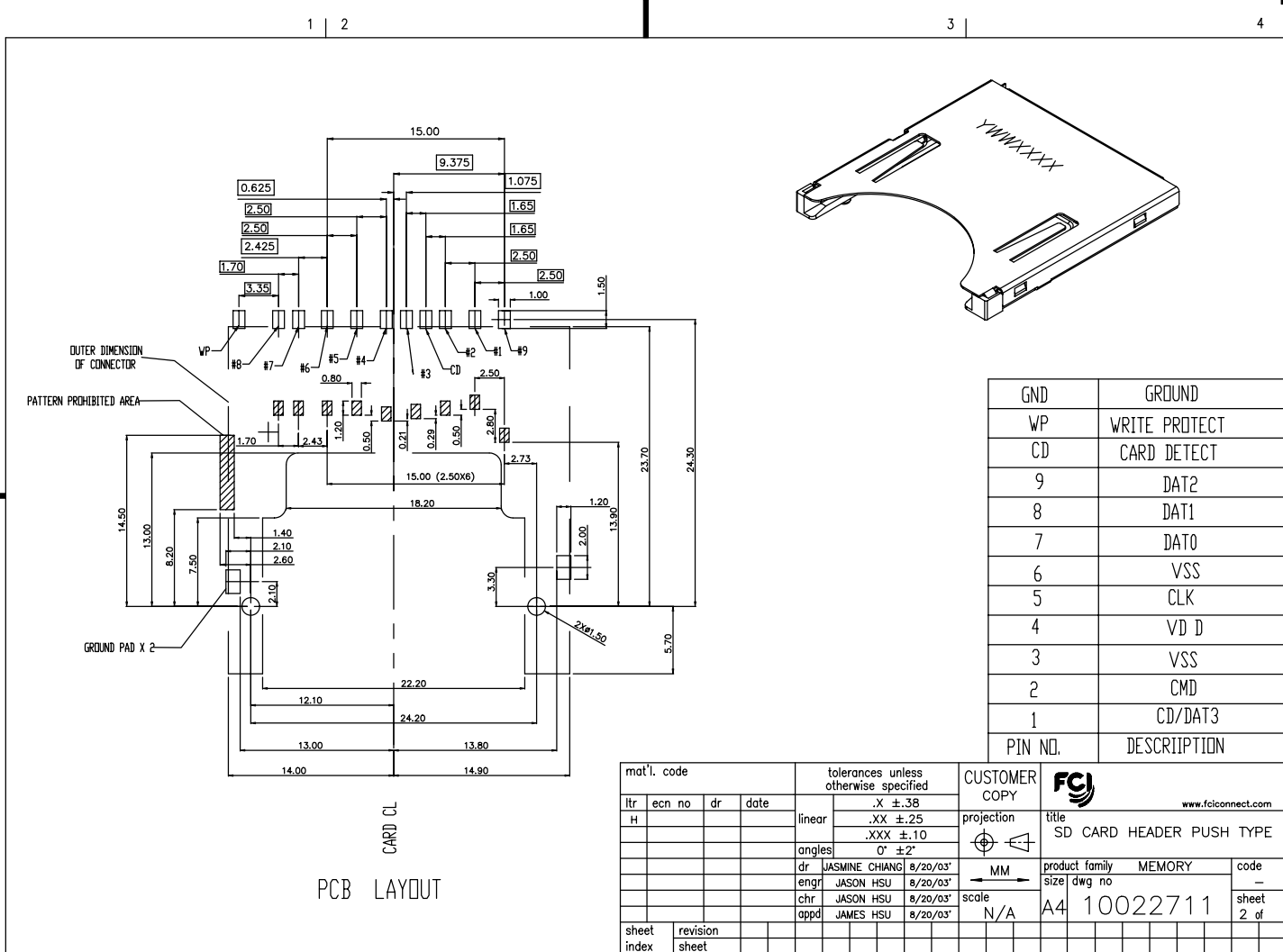
mat'l. code				tolerances unless otherwise specified		CUSTOMER COPY	FCI	www.fciconnect.com
C	T04-0140	J.C	4/02/04'	linear	.X ±.38	projection		
D	T04-0181	J.C	4/23/04'		.XX ±.25			
E	T06-0044	A.C	3/06/06'	angles	.XXX ±.10			
F	T06-0082	A.C	4/20/06'	dr	0' ±2'			
G	T06-0097	A.C	5/22/06'	enrg	JASMINE CHIANG 8/20/03'	MM	product family	MEMORY
H	T08-1086	WL	05/08/08	chr	JASON HSU 8/20/03'	scale	size	dwg no
				appd	JAMES HSU 8/20/03'	N/A	A4	10022711
sheet index	revision sheet	H	H	H	H			
		1	2	3	4			

STATUS: Released 22/02/08 Oct 10, 2008

Tous droits strictement réservés. Reproduction ou communication à des tiers interdite sous quelque forme que ce soit sans autorisation écrite du propriétaire. Property of FCJ. Droits de reproduction FCJ.



All rights strictly reserved. Reproduction or issue to third parties in any form whatsoever is not permitted without written authority from the proprietor. Property of FCJ. Copyright FCJ.



GND	GROUND
WP	WRITE PROTECT
CD	CARD DETECT
9	DAT2
8	DAT1
7	DAT0
6	VSS
5	CLK
4	VD D
3	VSS
2	CMD
1	CD/DAT3
PIN NO.	DESCRIPTION

mat'l. code		tolerances unless otherwise specified		CUSTOMER COPY		FCJ	
ltr	ecn no	dr	date	linear	projection	www.fcjconnect.com	
H				.X ±.38	⊕	title	
				.XX ±.25		SD CARD HEADER PUSH TYPE	
				.XXX ±.10			
				angles	0° ±2°		
				dr	JASMINE CHIANG	8/20/03'	product family
				enrg	JASON HSU	8/20/03'	MEMORY
				chr	JASON HSU	8/20/03'	size/ dwg no
				appd	JAMES HSU	8/20/03'	A4 10022711
sheet index	revision sheet				scale	N/A	code - sheet 2 of

ACAD

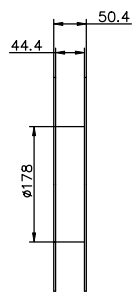
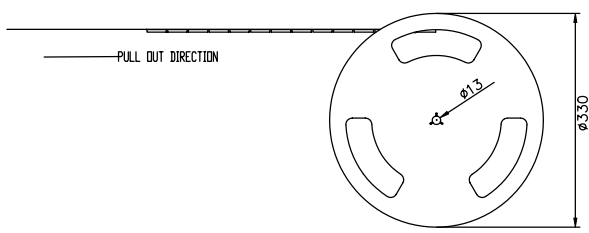
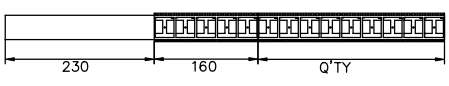
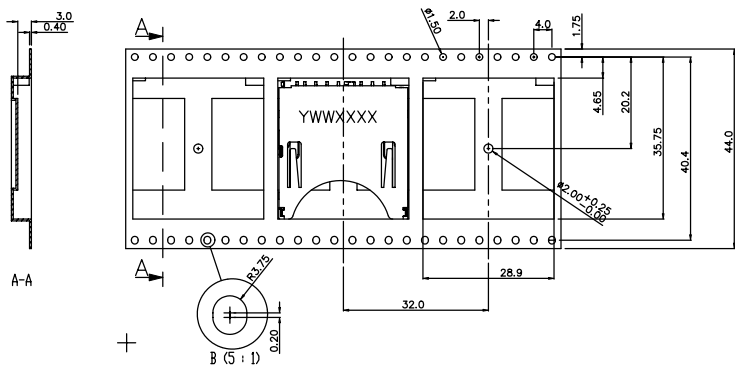
PDM: Rev:H

STATUS Released

Printed: Oct 10, 2006

Tous droits strictement réservés. Reproduction ou communication a des tiers interdite sous quelque forme que ce soit sans autorisation écrite du propriétaire. Propriété de c FCI. Droits de reproduction FCI.

All rights strictly reserved. Reproduction or issue to third parties in any form whatever is not permitted without written authority from the proprietor. Property of FCI. Copyright FCI.



NOTES :
 1. MATERIAL :
 CARRIER TAPE: POLYSTYRENE , COLOR : BLACK
 COVER TAPE : POLYSTYRENE , COLOR : TRANSPARENT
 PLASTIC RELL : POLYSTYRENE , COLOR : BLUE
 2. QUANTITY : 300PCS/REEL

mat'l. code				tolerances unless otherwise specified		CUSTOMER COPY		FCI		www.fciconnect.com	
ltr	ecn no	dr	date	linear	.X ±.38	projection	title SD CARD HEADER PUSH TYPE				
H					.XX ±.25						
				angles	.XXX ±.10						
					0' ±2'		product family		MEMORY		
				dr	JASMINE CHIANG 8/20/03'		size		dwg no		
				enr	JASON HSU 8/20/03'	scale		A4 10022711			
				chr	JASON HSU 8/20/03'	N/A		sheet 3 of			
				appd	JAMES HSU 8/20/03'						
sheet index	revision sheet										

ACAD PDM: Rev:H 3 STATUS Released 2008 Oct 10, 2008 cage code 20526 4

NOTES :

1. MATERIAL :

INSULATOR : UL 94V-0, LCP+30%G/F, COLOR : BLACK
SIGNAL CONTACTS : PHOSPHOR BRONZE, C5210R-SH.
CD/WP CONTACTS : Ti-Cu, TICUR1-M-EH.
SHIELD: STAINLESS STEEL SUS-301.

2. PLATING SPEC:

CONTACT: 50u" Min NICKEL UNDERPLATED ALL OVER,
100u" Min TIN/LEAD OR MATTE TIN ON SOLDER TAIL AREA,
SELECTIVE GOLD PLATED ON CONTACT AREA.

3. PRODUCT SPECIFICATION: GS-12-241.

4. PACKAGING SPECIFICATION: GS-14-851.

5. CARD PULLING-OUT FORCE EXCEED 0.36KGF(3.5N)
UNDER LOCKING-CONDITION.

6. MULTIMEDIA CARD COMPATIBLE.

7. WP: WRITE PROTECT

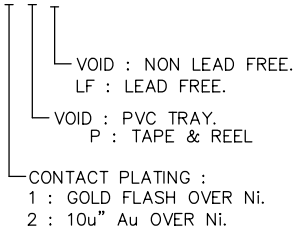
CD: CARD DETECT INDICATION

8. LEAD FREE NOTES:

- 8.1. THE HOUSING WILL WITHSTAND EXPOSURE TO 260°C PEAK TEMPERATURE FOR 10 SECONDS IN A CONVECTION, IR OR VAPOR PHASE REFLOW OVEN.
- 8.2. THIS PRODUCT (10022711-00XXLF) MEETS THE EUROPEAN UNION DIRECTIVE AS DESCRIBED IN GS-22-008.

9. PART NUMBER DESCRIPTIONS:

10022711- 0 0 X X X



Tous droits strictement reserves. Reproduction ou communication a des tiers interdite sous quelque forme que ce soit sans autorisation écrite du propriétaire. Propriete de c FCI. Droits de reproduction FCI.



All rights strictly reserved. Reproduction or issue to third parties in any form whatever is not permitted without written authority from the proprietor. Property of FCI. Copyright FCI.

mat'l. code				tolerances unless otherwise specified				CUSTOMER COPY		FCI www.fciconnect.com		
ltr	ecn no	dr	date	linear	.X ±.38			projection	SD CARD HEADER PUSH TYPE			
H					.XX ±.25				MM	product family MEMORY		code
					.XXX ±.10					size dwg no		-
				angles	0° ±2°			scale	A4		sheet	
				dr	JASMINE CHIANG	8/20/03'	N/A		10022711		4 of	
				enqr	JASON HSU	8/20/03'			22526			
				chr	JASON HSU	8/20/03'			STATUS Released			
				appd	JAMES HSU	8/20/03'		Printed: Oct 10, 2008				
sheet index	revision sheet							cage code		4		