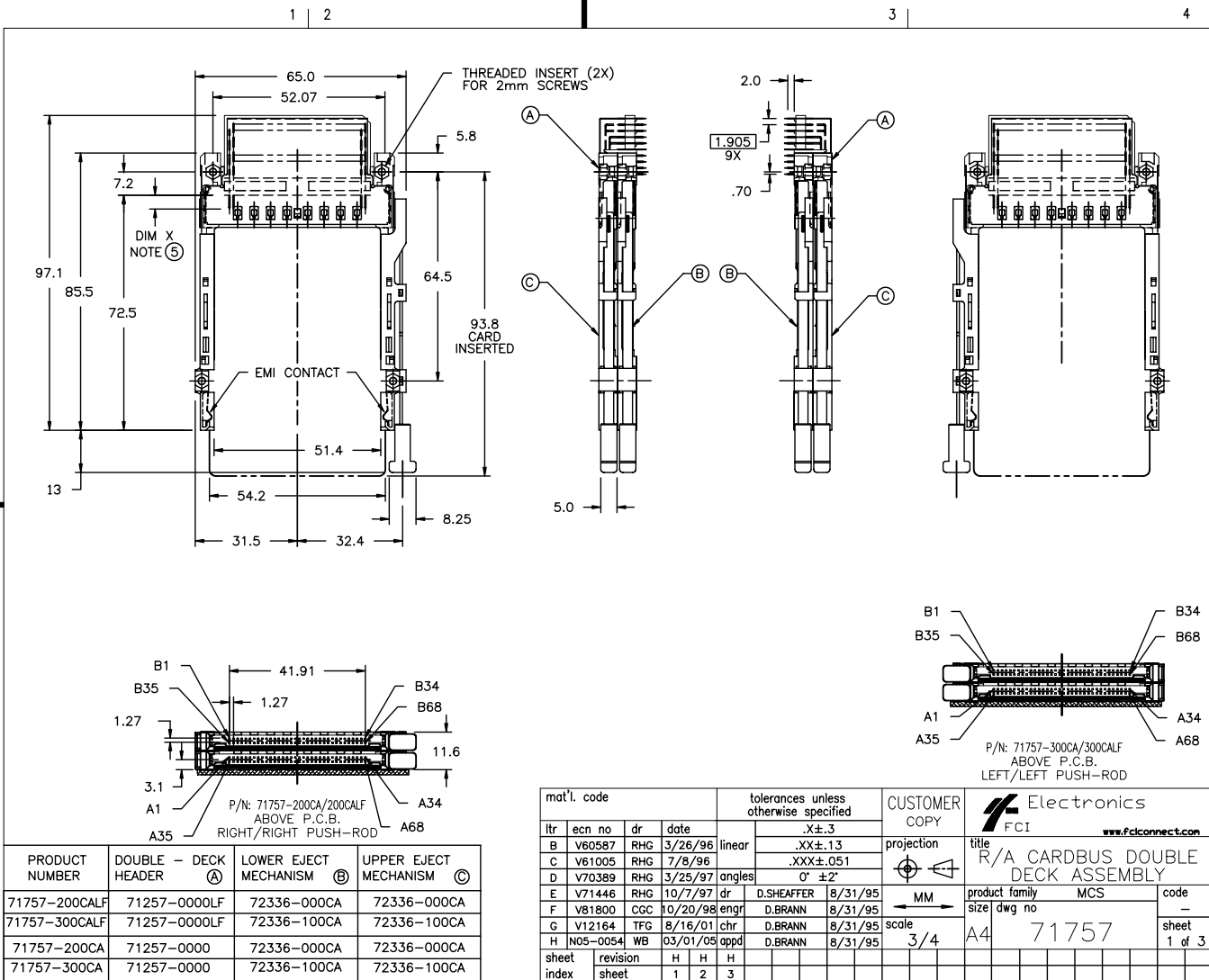


Tous droits strictement réservés. Reproduction ou communication à des tiers interdite sous quelque forme que ce soit sans autorisation écrite du propriétaire. Propriété de c FCI. Droits de reproduction FCI.

All rights strictly reserved. Reproduction or issue to third parties in any form whatever is not permitted without written authority from the proprietor. Property of FCI. Copyright FCI.



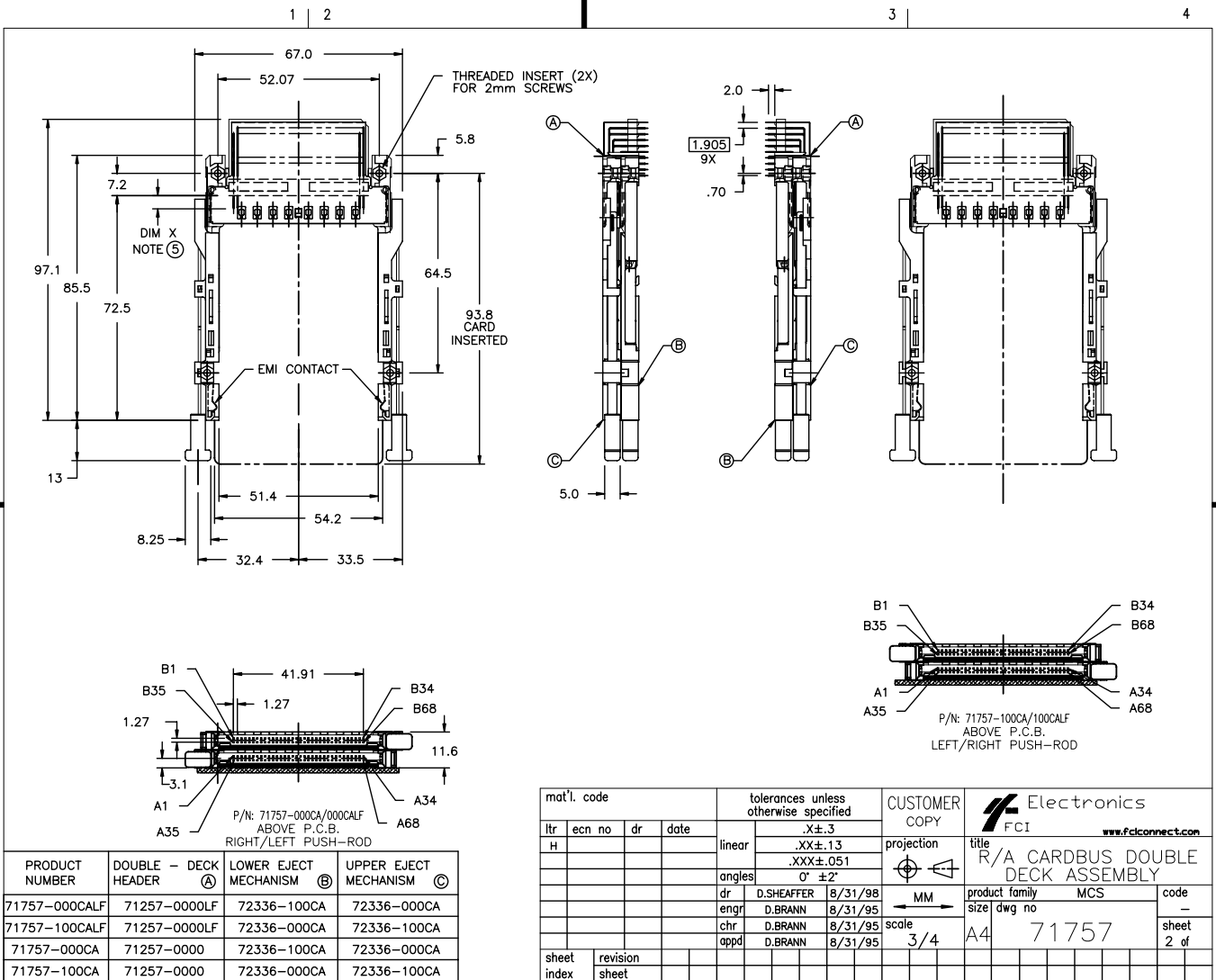
PRODUCT NUMBER	DOUBLE DECK HEADER (A)	LOWER EJECT MECHANISM (B)	UPPER EJECT MECHANISM (C)
71757-200CALF	71257-0000LF	72336-000CA	72336-000CA
71757-300CALF	71257-0000LF	72336-100CA	72336-100CA
71757-200CA	71257-0000	72336-000CA	72336-000CA
71757-300CA	71257-0000	72336-100CA	72336-100CA

mat'l. code		tolerances unless otherwise specified		CUSTOMER COPY	
ltr	ecn no	dr	date	linear	projection
B	V60587	RHG	3/26/96	.X±.3	MM
C	V61005	RHG	7/8/96	.XX±.13	3/4
D	V70389	RHG	3/25/97	.XXX±.051	
E	V71446	RHG	10/7/97	0° ±2'	
F	V81800	CGC	10/20/98		
G	V12164	TFG	8/16/01		
H	N05-0054	WB	03/01/05		
revision	H	H	H		
sheet index	1	2	3		

		<b>Electronics</b> www.fciconnect.com	
title <b>R/A CARBUS DOUBLE DECK ASSEMBLY</b>		product family MCS	
size A4		code 71757	
scale 3/4		sheet 1 of 3	
cage code 26		sheet 4	

Tous droits strictement réservés. Reproduction ou communication à des tiers  
interdite sous quelque forme que ce soit sans autorisation écrite du propriétaire.  
Propriété de c FCI. Droits de reproduction FCI.

All rights strictly reserved. Reproduction or issue to third parties in any  
form whatever is not permitted without written authority from the proprietor.  
Property of FCI. Copyright FCI.

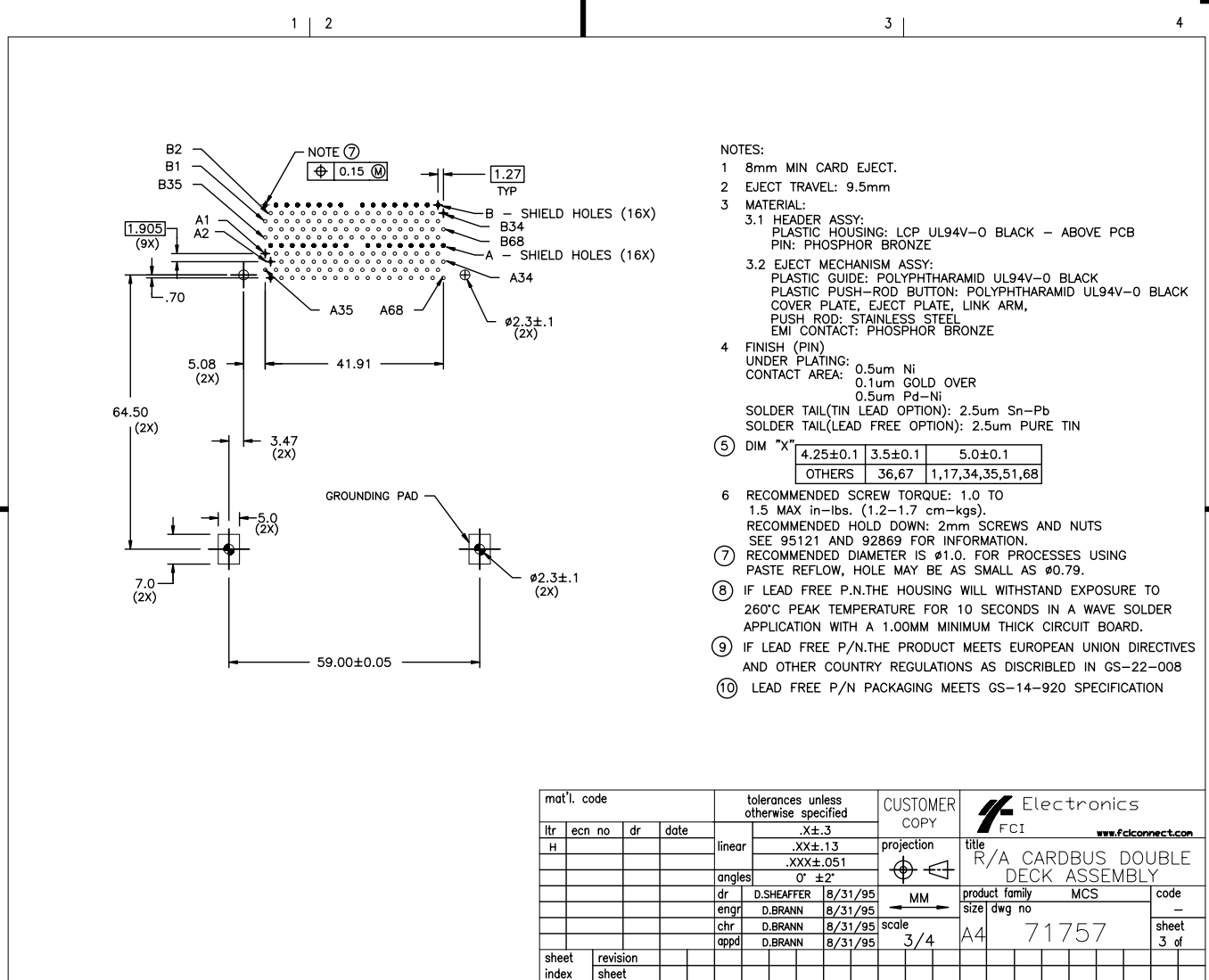


PRODUCT NUMBER	DOUBLE - DECK HEADER	LOWER EJECT MECHANISM	UPPER EJECT MECHANISM
71757-000CALF	71257-0000LF	72336-100CA	72336-000CA
71757-100CALF	71257-0000LF	72336-000CA	72336-100CA
71757-000CA	71257-0000	72336-100CA	72336-000CA
71757-100CA	71257-0000	72336-000CA	72336-100CA

mat'l. code		tolerances unless otherwise specified		CUSTOMER COPY		Electronics FCI	
ltr	ecn no	dr	date	linear	.XX±.13	projection	title
H				angles	.XXX±.051	MM	R/A CARBUS DOUBLE DECK ASSEMBLY
				dr	0° ±2'	product family	MCS
				engr	D.SHEAFFER 8/31/98	size	dwg no
				chr	D.BRANN 8/31/95	scale	71757
				appd	D.BRANN 8/31/95	sheet	2 of
sheet index	revision sheet					cage code	4

Tous droits strictement réservés. Reproduction ou communication à des tiers interdite sous quelque forme que ce soit sans autorisation écrite du propriétaire. Property of FCI. Copyright FCI. Droits de reproduction FCI.

All rights strictly reserved. Reproduction or issue to third parties in any form whatever is not permitted without written authority from the proprietor. Property of FCI. Copyright FCI.



NOTES:

- 1 8mm MIN CARD EJECT.
- 2 EJECT TRAVEL: 9.5mm
- 3 MATERIAL:
  - 3.1 HEADER ASSY: PLASTIC HOUSING: LCP UL94V-0 BLACK - ABOVE PCB  
PIN: PHOSPHOR BRONZE
  - 3.2 EJECT MECHANISM ASSY: PLASTIC GUIDE: POLYPHTHARAMID UL94V-0 BLACK  
PLASTIC PUSH-ROD BUTTON: POLYPHTHARAMID UL94V-0 BLACK  
COVER PLATE, EJECT PLATE, LINK ARM, PUSH ROD: STAINLESS STEEL  
EMI CONTACT: PHOSPHOR BRONZE
- 4 FINISH (PIN)
  - UNDER PLATING: 0.5um Ni  
0.1um GOLD OVER  
0.5um Pd-Ni
  - CONTACT AREA: 2.5um Sn-Pb
  - SOLDER TAIL(TIN LEAD OPTION): 2.5um Sn-Pb
  - SOLDER TAIL(LEAD FREE OPTION): 2.5um PURE TIN
- 5 DIM "X"
 

4.25±0.1	3.5±0.1	5.0±0.1
OTHERS	36,67	1,17,34,35,51,68
- 6 RECOMMENDED SCREW TORQUE: 1.0 TO 1.5 MAX in-lbs. (1.2-1.7 cm-kgs).  
RECOMMENDED HOLD DOWN: 2mm SCREWS AND NUTS  
SEE 95121 AND 92869 FOR INFORMATION.
- 7 RECOMMENDED DIAMETER IS Ø1.0. FOR PROCESSES USING PASTE REFLOW, HOLE MAY BE AS SMALL AS Ø0.79.
- 8 IF LEAD FREE P/N.THE HOUSING WILL WITHSTAND EXPOSURE TO 260°C PEAK TEMPERATURE FOR 10 SECONDS IN A WAVE SOLDER APPLICATION WITH A 1.00MM MINIMUM THICK CIRCUIT BOARD.
- 9 IF LEAD FREE P/N.THE PRODUCT MEETS EUROPEAN UNION DIRECTIVES AND OTHER COUNTRY REGULATIONS AS DISCRIBLED IN GS-22-008
- 10 LEAD FREE P/N PACKAGING MEETS GS-14-920 SPECIFICATION

mat'l. code		tolerances unless otherwise specified		CUSTOMER COPY		 www.fciconnect.com	
ltr	ecn no	dr	date	linear	.XX±.13	projection	title
H				angles	.XXX±.051		R/A CARDBUS DOUBLE DECK ASSEMBLY
				dr	D.SHEAFFER 8/31/95	MM	product family MCS
				engr	D.BRANN 8/31/95	scale	size dwg no
				chr	D.BRANN 8/31/95	3/4	A4 71757
				appd	D.BRANN 8/31/95		code -
sheet index	revision sheet						sheet 3 of