

Through Hole Transformers Trigger, SCR Isolation



FEATURES

- Designed for low-cost trigger source isolation in SCR power control circuits.
- Small physical size and low profile provide packaging advantages.
- Designed to transfer high amplitude or long duration pulses without saturation.
- Industrial and commercial applications include motor speed controls, lighting controls and heater controls.
- Interchangeable. Designed for circuit board mounting using same mounting dimensions as 11Z and PT-20 models.
- Compliant to RoHS directive 2002/95/EC

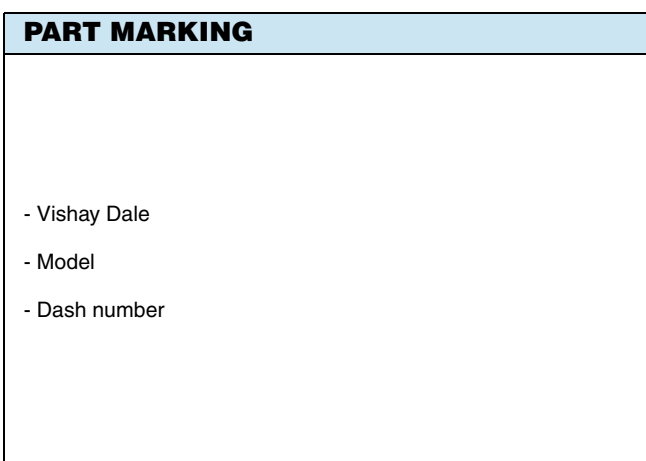
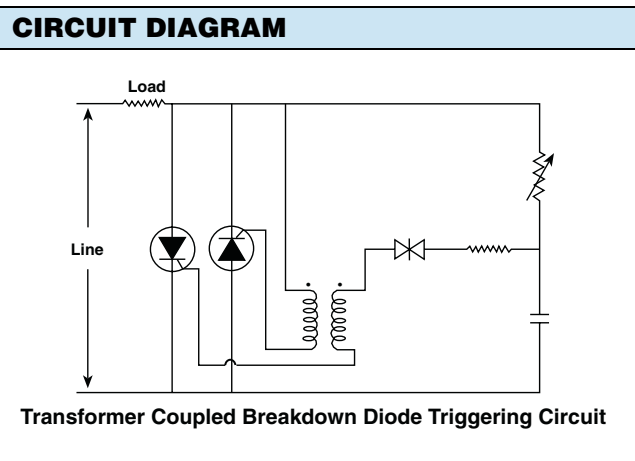
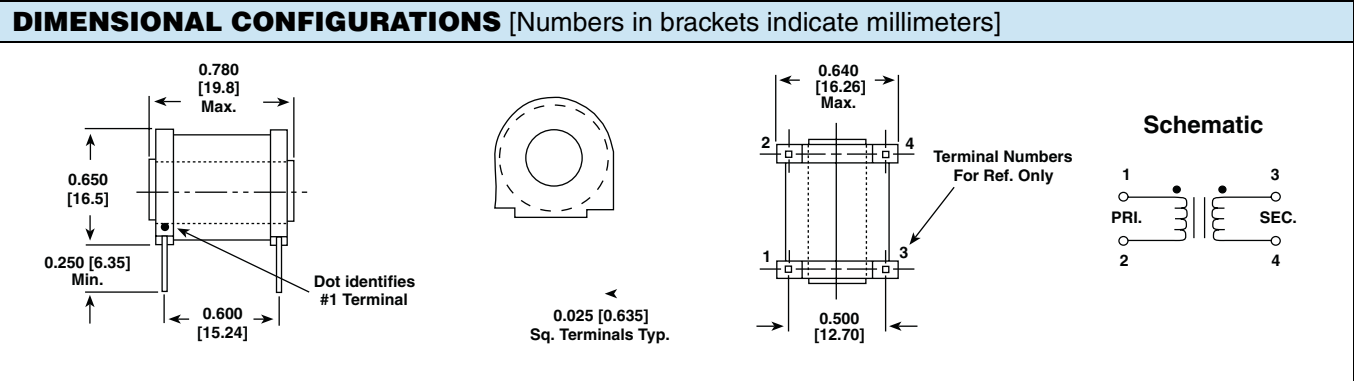


RoHS COMPLIANT

STANDARD ELECTRICAL SPECIFICATIONS						
DASH NUMBER	TURNS RATIO	PRIMARY INDUCTANCE MIN. (μH)	LEAKAGE INDUCTANCE MAX. (μH)	INTERWINDING CAPACITY MAX. (pF)	DCR MAX. (Ω)	UNIPOLAR ET (V-μs)
101	1:1 ± 10 %	200	3	800	1.5-1.5	570
102	1:1 ± 10 %	500	6	1500	4.5-4.5	912
103	1:1 ± 10 %	1000	12	2000	8.0-8.0	1283
104	1:1 ± 10 %	2000	13	2800	12-12	1853
105	1:1 ± 10 %	5000	15	3500	18-18	2850
106	2:1 ± 10 %	500	6	1000	4-2	912
107	2:1 ± 10 %	1000	10	1300	10-2	1288
108	2:1 ± 10 %	2000	12	1800	10-5	1881
109	2:1 ± 10 %	5000	15	2400	18-10	2565
110	5:1 ± 10%	5000	1500	400	19-3	2850

ELECTRICAL SPECIFICATIONS

Primary Inductance Values: From 200 μH to 5000 μH
Turns Ratio: 1:1, 2:1 and 5:1
Temperature Range: - 55 °C to + 105 °C
Dielectric Test at 60 Hz: 1600 V RMS (Windings to core)
AC Line Voltage at 60 Hz: 240 V_{RMS} maximum in test circuits shown
MATERIAL SPECIFICATIONS
Bobbin: Glass-filled nylon
Terminals: 0.025" [0.635] square tinned copper
Material Rating: + 105 °C class A





ORDERING INFORMATION

PT-50 MODEL	101 DASH NUMBER	EB PACKAGE CODE	e2 JEDEC LEAD (Pb)-FREE STANDARD
-----------------------	---------------------------	---------------------------	--

GLOBAL PART NUMBER





Disclaimer

All product specifications and data are subject to change without notice.

Vishay Intertechnology, Inc., its affiliates, agents, and employees, and all persons acting on its or their behalf (collectively, "Vishay"), disclaim any and all liability for any errors, inaccuracies or incompleteness contained herein or in any other disclosure relating to any product.

Vishay disclaims any and all liability arising out of the use or application of any product described herein or of any information provided herein to the maximum extent permitted by law. The product specifications do not expand or otherwise modify Vishay's terms and conditions of purchase, including but not limited to the warranty expressed therein, which apply to these products.

No license, express or implied, by estoppel or otherwise, to any intellectual property rights is granted by this document or by any conduct of Vishay.

The products shown herein are not designed for use in medical, life-saving, or life-sustaining applications unless otherwise expressly indicated. Customers using or selling Vishay products not expressly indicated for use in such applications do so entirely at their own risk and agree to fully indemnify Vishay for any damages arising or resulting from such use or sale. Please contact authorized Vishay personnel to obtain written terms and conditions regarding products designed for such applications.

Product names and markings noted herein may be trademarks of their respective owners.