

# SMT COMMON MODE CHOKES

## 1.22A to 14.0A



- Solutions based on impedance, size and current
- Designed for DC/DC converters
- Wide variety of inductor sizes and current ratings available
- Dielectric strength: 1000V<sub>RMS</sub>

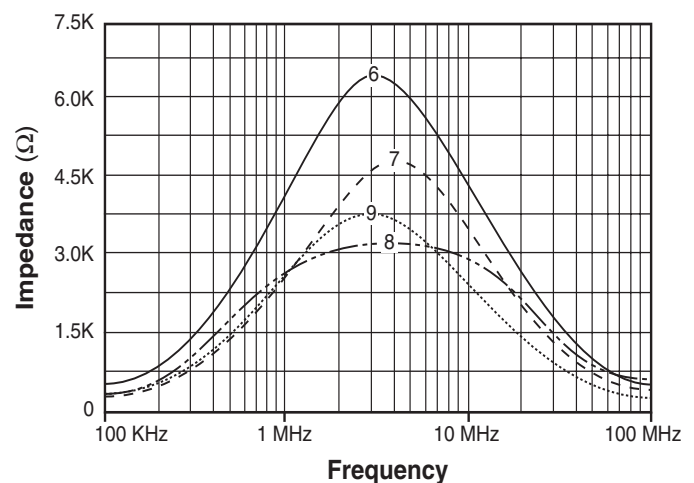
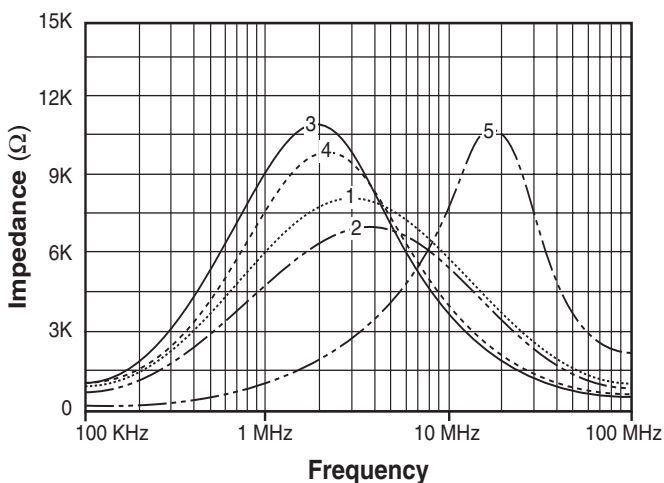
### Electrical Specifications @ 25°C — Operating Temperature -40°C to +120°C<sup>3</sup>

| Part <sup>1,2</sup> Number | Inductance (mH ±35%) | I <sub>rated</sub> (A) | DCR (MAX) (mΩ) | Curve (see # below) | Package  | Weight (Grams) | Quantity In Tube | Quantity In Reel |
|----------------------------|----------------------|------------------------|----------------|---------------------|----------|----------------|------------------|------------------|
| P0502                      | 0.47                 | 14.0                   | 8              | 9                   | Big Foot | 14.8           | 15               | 75               |
| P0469                      | 0.63                 | 11.6                   | 10             | 7                   | Big Foot | 14.3           | 20               | 75               |
| P0429                      | 0.81                 | 9.70                   | 14             | 6                   | Big Foot | 13.5           | 20               | 75               |
| P0527                      | 0.53                 | 7.20                   | 15             | 8                   | HCCI-68  | 7.7            | 15               | 100              |
| P0353                      | 0.59                 | 5.60                   | 21             | 7                   | LCCI-50  | 5.2            | 30               | 200              |
| P0422                      | 0.77                 | 4.70                   | 40             | 6                   | LCCI-50  | 4.9            | 30               | 200              |
| P0421                      | 0.22                 | 3.30                   | 60             | 5                   | LCCI-50  | 4.7            | 30               | 200              |
| P0420                      | 1.32                 | 3.30                   | 60             | 4                   | LCCI-50  | 4.6            | 30               | 200              |
| P0351                      | 1.47                 | 2.80                   | 80             | 3                   | LCCI-50  | 4.3            | 30               | 200              |
| P0473                      | 0.88                 | 1.63                   | 110            | 2                   | Polecat  | 1.5            | 40               | 500              |
| P0354                      | 1.17                 | 1.22                   | 200            | 1                   | Polecat  | 1.4            | 40               | 500              |

#### NOTE:

1. Optional Tape & Reel packaging can be ordered by adding a "T" suffix to the part number (i.e. P0502 becomes P0502T). Pulse complies to industry standard tape and reel specification EIA481.
2. To order RoHS compliant part, add the suffix "NL" to the part number (i.e. P0502 becomes P0502NL and P0502T becomes P0502NLT).
3. The temperature of the component (ambient plus temperature rise) must be within the stated operating temperature range.

### Impedance Curves



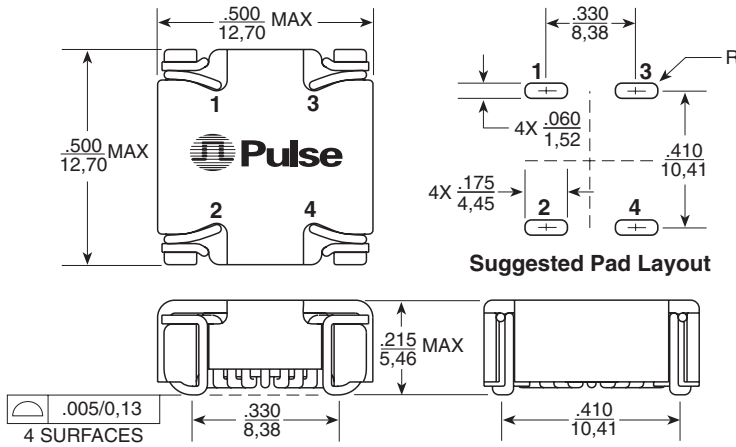
# SMT COMMON MODE CHOKES

## 1.22A to 14.0A

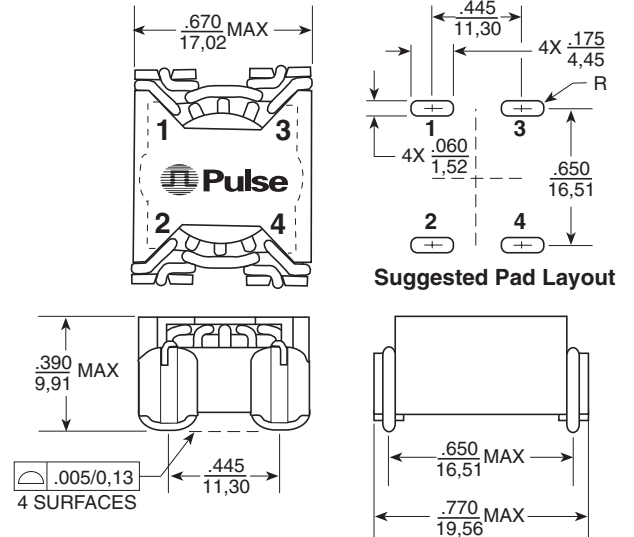


### Mechanicals

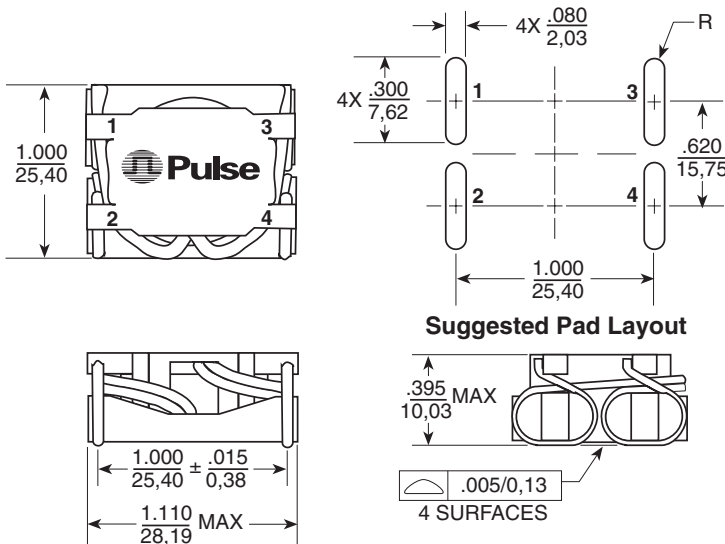
#### Polecat



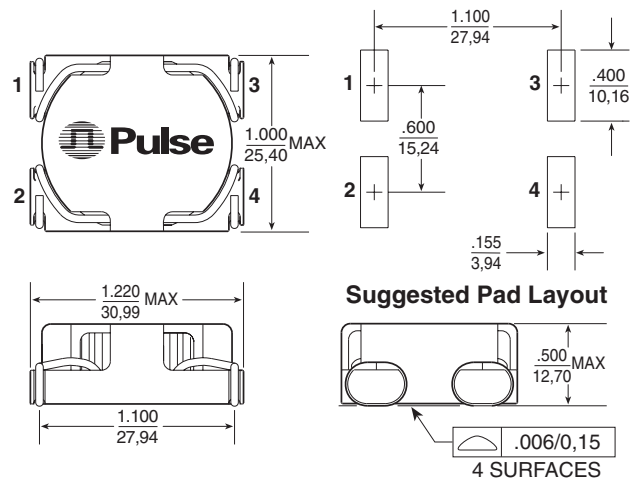
#### LCCI-50



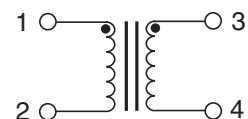
#### HCCI-68



#### Big Foot



#### Schematic



Dimensions:  $\frac{\text{Inches}}{\text{mm}}$

Unless otherwise specified, all tolerances are  $\pm \frac{.005}{0,13}$