

Features

- Formerly *J.W. Miller* model
- Shielded
- High Q value
- Inductance range: 0.1 μ H to 100,000 μ H
- RoHS compliant*

Applications

- Filters
- Output chokes

9250A Series Molded Axial Inductor

Electrical Specifications

Bourns Part No.	Inductance		Q Min.	Test Frequency (MHz)	SRF (MHz) Min.	DCR Ω Max.	Idc (mA)	Isat (mA)
	(μ H)	Tol. (%)						
9250A-101-RC	0.10	± 10	50	25	250	0.025	1790	1790
9250A-121-RC	0.12	± 10	51	25	250	0.034	1530	1530
9250A-151-RC	0.15	± 10	51	25	250	0.037	1470	1470
9250A-181-RC	0.18	± 10	50	25	250	0.047	1300	1300
9250A-221-RC	0.22	± 10	49	25	250	0.067	1100	1100
9250A-271-RC	0.27	± 10	47	25	250	0.11	855	855
9250A-331-RC	0.33	± 10	46	25	250	0.13	780	780
9250A-391-RC	0.39	± 10	44	25	250	0.18	670	670
9250A-471-RC	0.47	± 10	44	25	235	0.25	565	565
9250A-561-RC	0.56	± 10	43	25	210	0.33	490	490
9250A-681-RC	0.68	± 10	42	25	190	0.45	420	420
9250A-821-RC	0.82	± 10	50	25	180	0.59	370	370
9250A-102-RC	1.0	± 10	40	25	140	0.07	1070	1070
9250A-122-RC	1.2	± 10	44	7.9	130	0.10	895	895
9250A-152-RC	1.5	± 10	44	7.9	115	0.12	815	815
9250A-182-RC	1.8	± 10	44	7.9	105	0.14	775	775
9250A-222-RC	2.2	± 10	44	7.9	100	0.19	650	650
9250A-272-RC	2.7	± 10	44	7.9	92	0.28	535	535
9250A-332-RC	3.3	± 10	44	7.9	85	0.35	480	480
9250A-392-RC	3.9	± 10	44	7.9	75	0.40	450	450
9250A-472-RC	4.7	± 10	44	7.9	70	0.55	380	380
9250A-562-RC	5.6	± 10	44	7.9	65	0.72	335	335
9250A-682-RC	6.8	± 10	50	7.9	55	1.02	280	280
9250A-822-RC	8.2	± 10	50	7.9	50	1.32	250	250
9250A-103-RC	10	± 10	50	7.9	46	1.62	220	220
9250A-123-RC	12	± 10	55	2.5	44	2.00	200	200
9250A-153-RC	15	± 10	45	2.5	49	0.80	315	250
9250A-183-RC	18	± 10	45	2.5	45	0.89	300	235
9250A-223-RC	22	± 10	45	2.5	41	0.96	290	220
9250A-273-RC	27	± 10	45	2.5	38	1.19	260	200
9250A-333-RC	33	± 10	45	2.5	34	1.37	240	190
9250A-393-RC	39	± 10	50	2.5	29	1.93	205	180
9250A-473-RC	47	± 10	50	2.5	27	2.11	195	175
9250A-563-RC	56	± 10	50	2.5	25	2.23	190	160
9250A-683-RC	68	± 10	50	2.5	21	2.70	170	150
9250A-823-RC	82	± 10	50	2.5	10.5	2.44	180	140
9250A-104-RC	100	± 10	50	2.5	10	3.12	160	120
9250A-124-RC	120	± 10	55	0.79	9.7	3.6	150	95
9250A-154-RC	150	± 10	55	0.79	8.5	4.1	140	90
9250A-184-RC	180	± 10	55	0.79	8.0	4.4	135	85
9250A-224-RC	220	± 10	55	0.79	7.5	5.0	125	80
9250A-274-RC	270	± 10	55	0.79	7.0	5.8	115	70
9250A-334-RC	330	± 10	55	0.79	6.5	6.4	110	65
9250A-394-RC	390	± 10	60	0.79	6.2	7.4	105	60
9250A-474-RC	470	± 10	60	0.79	5.7	9.5	92	58
9250A-564-RC	560	± 10	60	0.79	4.7	10.5	90	55
9250A-684-RC	680	± 10	60	0.79	4.5	11.8	80	50
9250A-824-RC	820	± 10	60	0.79	4.2	13.0	80	45

Electrical specifications continued on page 2.

General Specifications

Temperature Rise35 °C at Idc
 Rated Current
Inductance drop 5 % typical at Isat
 Operating Temperature ...-55 °C to +125 °C
 Storage Temperature.....-55 °C to +125 °C
 Dielectric Strength.....1000 Vrms

Materials

Core.....Ferrite
 WireEnameled copper
 Terminal CoatingSn
 Packaging
 Standard1000 pcs. per bag
 Optional2500 pcs. per 12-inch reel

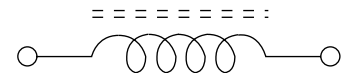
How To Order

9250A - 102 - - - RC

Model _____
 Value Code _____
 (See table)
 Packaging Code _____
 Blank = 1000 pcs./bag
 TR = 2500 pcs./12-inch reel
 Compliance Code _____
 RC = RoHS compliant*

- Examples:
- 9250A-151-RC = 0.15 μ H packaged 1000 pcs./bag.
 - 9250A-681-TR-RC = 0.68 μ H packaged 2500 pcs./12-inch reel.

Electrical Schematic



*RoHS Directive 2002/95/EC Jan 27 2003 including Annex
 Specifications are subject to change without notice.
 Customers should verify actual device performance in their specific applications.

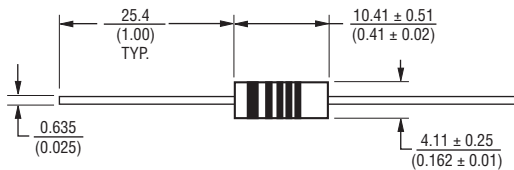
9250A Series Molded Axial Inductor

BOURNS®

Electrical Specifications (Continued)

Bourns Part No.	Inductance		Q Min.	Test Frequency (MHz)	SRF (MHz) Min.	DCR Ω Max.	Idc (mA)	Isat (mA)
	(μ H)	Tol. (%)						
9250A-105-RC	1000	± 10	60	0.79	3.8	17.5	70	40
9250A-125-RC	1200	± 10	45	0.25	1.5	22.1	60	35
9250A-155-RC	1500	± 10	45	0.25	1.2	26.5	55	33
9250A-185-RC	1800	± 10	45	0.25	1.0	29.9	50	30
9250A-225-RC	2200	± 10	45	0.25	0.97	33.8	50	27
9250A-275-RC	2700	± 10	45	0.25	0.92	47.3	40	25
9250A-335-RC	3300	± 10	45	0.25	0.84	53.0	40	22
9250A-395-RC	3900	± 10	45	0.25	0.8	73.8	35	20
9250A-475-RC	4700	± 10	45	0.25	0.74	81.6	31	19
9250A-565-RC	5600	± 10	44	0.25	0.73	98.9	28	17
9250A-685-RC	6800	± 10	40	0.25	0.66	111	27	16
9250A-825-RC	8200	± 10	40	0.25	0.54	119	26	15
9250A-106-RC	10,000	± 10	40	0.25	0.47	137	24	14
9250A-126-RC	12,000	± 10	30	0.079	0.33	143	23	13
9250A-156-RC	15,000	± 10	30	0.079	0.29	157	22	12
9250A-186-RC	18,000	± 10	30	0.079	0.28	175	21	10
9250A-226-RC	22,000	± 10	27	0.079	0.25	274	17	9
9250A-276-RC	27,000	± 10	27	0.079	0.21	308	16	8
9250A-336-RC	33,000	± 10	27	0.079	0.19	343	15	7.5
9250A-396-RC	39,000	± 10	27	0.079	0.17	376	15	6
9250A-476-RC	47,000	± 10	23	0.079	0.16	473	13	5.5
9250A-566-RC	56,000	± 10	23	0.079	0.14	512	13	5
9250A-686-RC	68,000	± 10	23	0.079	0.13	580	12	4
9250A-826-RC	82,000	± 10	21	0.079	0.12	618	11	3.5
9250A-107-RC	100,000	± 10	18	0.079	0.11	678	11	3

Product Dimensions

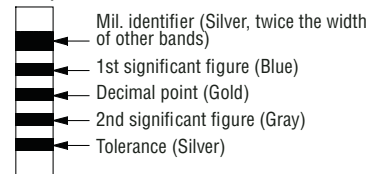


DIMENSIONS: $\frac{\text{MM}}{\text{(INCHES)}}$

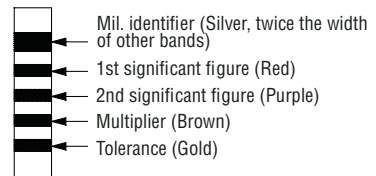
Typ. Part Marking - MIL-STD Color Code

Color	1st & 2nd Significant Figure or Decimal Point	Multiplier	Tolerance
Black	0	1	
Brown	1	10	
Red	2	100	
Orange	3	1000	
Yellow	4		
Green	5		
Blue	6		
Violet	7		
Gray	8		
White	9		
Silver			$\pm 10\%$
Gold	Decimal Point		$\pm 5\%$

Example for L value less than 10 μ H
6.8 μ H, $\pm 10\%$



Example for L value 10 μ H and higher
270 μ H, $\pm 5\%$

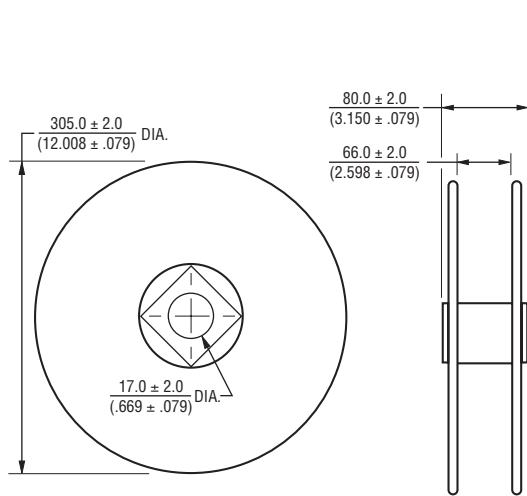


Specifications are subject to change without notice. Customers should verify actual device performance in their specific applications.

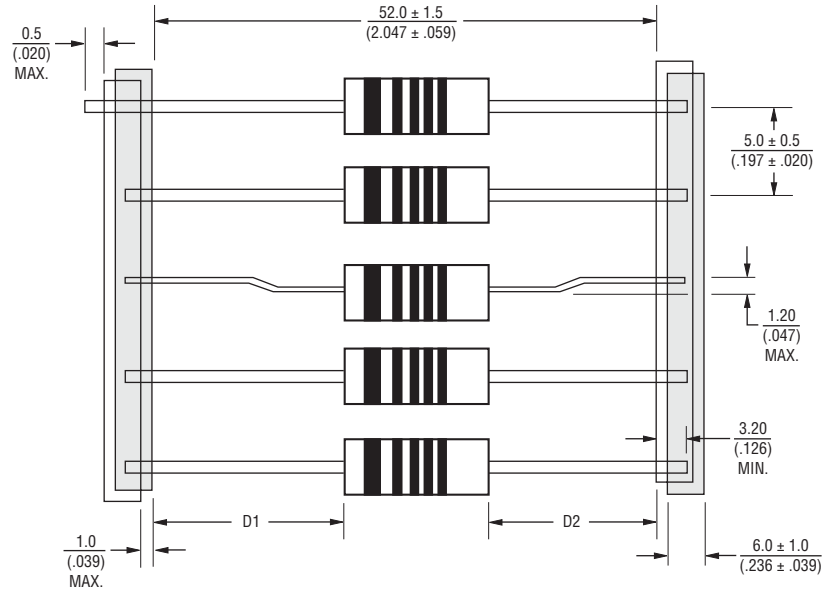
9250A Series Molded Axial Inductor

BOURNS®

Tape and Reel Packaging Specifications



DIMENSIONS: $\frac{\text{MM}}{\text{(INCHES)}}$



NOTE: THE DIFFERENCE BETWEEN D1 AND D2 SHOULD NOT EXCEED 1.0 (.039).

REV. 08/09

Specifications are subject to change without notice.
Customers should verify actual device performance in their specific applications.