

On-Board Type (DC) EMI Suppression Filters (EMIFIL®)



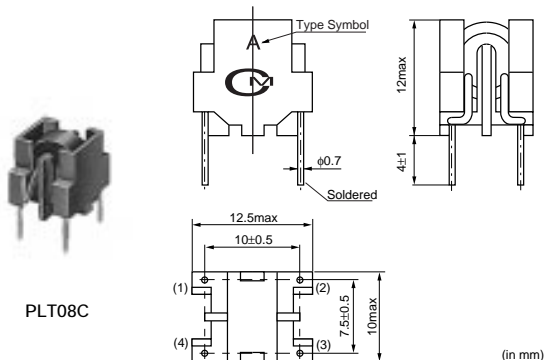
Common Mode Choke Coils (for DC Line) PLT08C/09H Series

PLT08C Series

The PLT08C series is common mode choke coil for DC line. It is effective against the common mode noise that can cause radiative noise in power supply lines and interface lines. The high coupling factor enables effective suppression of common mode noise without appreciably altering the normal mode signal waveforms even when the signal and noise frequencies are close to each other.

■ Applications

1. For suppressing noise radiation from interface cables of digital equipment such as computers and computer peripherals.
2. For suppressing noise radiation from the power supply cords of digital equipment that uses AC adapters.



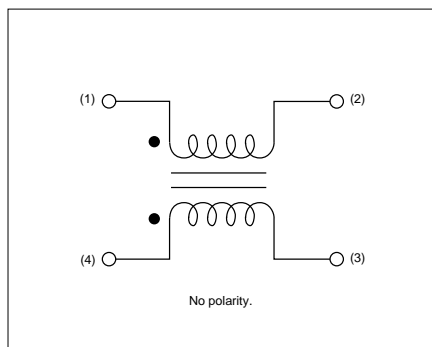
PLT08C

Part Number	Common Mode Inductance (min.) (μH)	Rated Current (A)	Rated Voltage (Vdc)	Withstand Voltage (Vdc)
PLT08CN0R53R0T0	0.5	3	50	125
PLT08CN1R53R0T0	1.5	3	50	125
PLT08CN2003R0T0	20	3	50	125

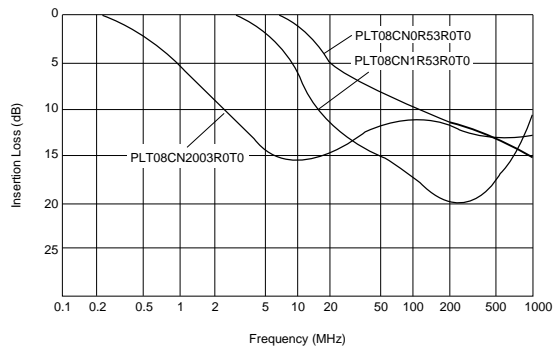
Operating Temperature Range : -25°C to 60°C

4

■ Equivalent Circuit



■ Insertion Loss Characteristics (Typical)



PLT09H Series

The PLT09H series is common mode choke coil for DC line. It is effective against the common mode noise that can cause radiative noise in power supply lines and interface lines. The additional normal mode inductance enables high suppression effect to radiation noise.

■ Features

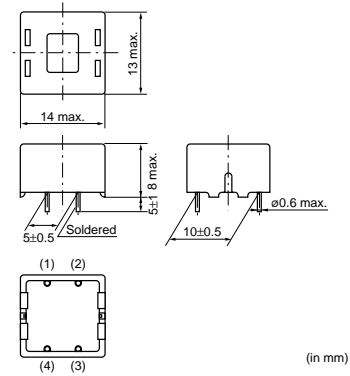
1. This is a wide frequency range type, applicable in applications ranging from a few MHz to several 100MHz.
2. It features a low-profile design.

■ Applications

1. Noise suppression of SW power supply, DC-DC converter.
2. DC power lines in AC adapter of Portable equipment



PLT09H

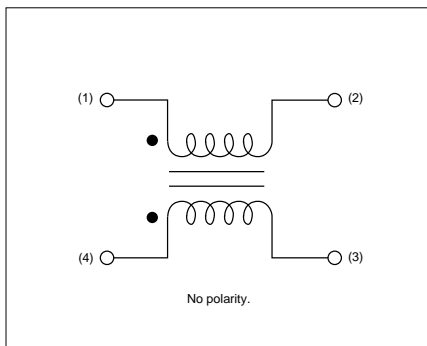


(in mm)

Part Number	Common Mode Inductance (min.) (μ H)	Rated Current (A)	Rated Voltage (Vdc)	Withstand Voltage (Vdc)
PLT09HN2003R0P1	20	3	50	125

Operating Temperature Range : -40°C to 85°C

■ Equivalent Circuit



■ Insertion Loss Characteristics (Typical)

