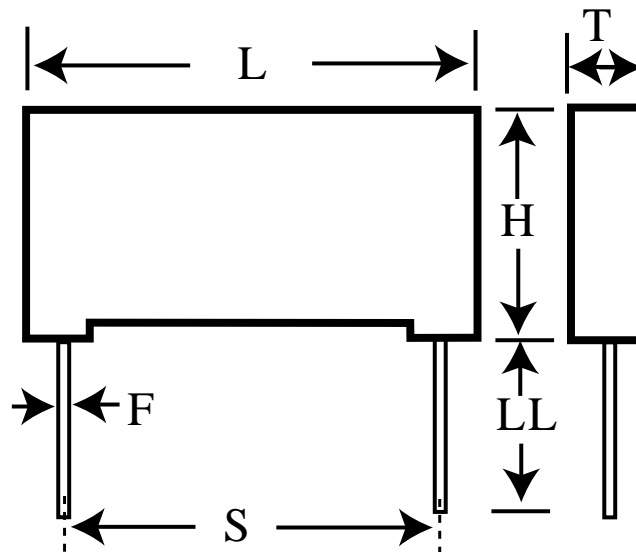


PME271YE6150KR30

aka P272EL154K300A

Capacitor, film, 0.15 μ F, +/-10% Tol, -40/+115C, Safety: Y2, 300VAC,
Lead Spacing=25.4 mm



Dimensions (mm)

ID	Dimension	Tolerance
L	30.5	max
H	22	max
T	15.3	max
S	25.4	+/-0.4
LL	30	nom
F	1	nom

Specifications

Manufacturer:	KEMET
Brand:	Rifa
Capacitance:	0.15 μ F
Temperature Range:	-40/+115C
Rated Temperature:	115C
Voltage @ rated temp:	1000V
Voltage AC:	300VAC
Tolerance:	+/-10%
Body Type:	Radial Molded
Construction:	Non-inductive
Application:	Safety: Y2
Dielectric:	Metallized Paper
Dissipation Factor @ 1 kHz:	1.3%
Insulation Resistance:	12 GOhm
Maximum dVdT:	400v/us
IEC_60384-14:	300V
EN_132400:	300V
C_22.2_NO.8:	300V
Miscellaneous Electrical:	fo= 3.1 MHz series(PME271YE)
Package Kind:	Bulk
Package Quantity:	75