

Type SNU Snubber Capacitors

Oil-Filled, Metallic Case for Snubber Applications



With a robust film/paper/extended foil construction, Type SNU capacitors have low inductance and high peak current ratings that make them ideal for power snubber applications. The Type SNU may be used to reduce voltage transients across semiconductor devices such as SCRs.

Highlights

- High peak current rating
- Film/paper/extended foil construction
- Internally protected (not UL recognized)
- Aluminum Case (tinplate steel may be substituted for aluminum)

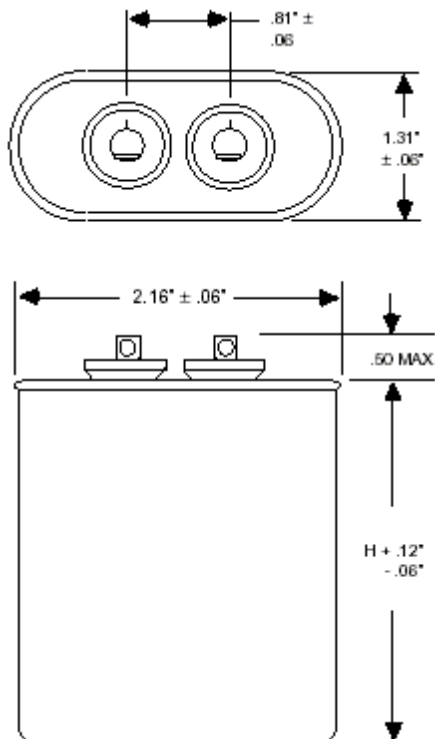
Specifications



Complies with the EU Directive 2002/95/EC requirement restricting the use of Lead (Pb), Mercury (Hg), Cadmium (Cd), Hexavalent chromium (Cr(VI)), PolyBrominated Biphenyls (PBB) and PolyBrominated Diphenyl Ethers (PBDE).

Capacitance Range:	0.05 μ F to 2.0 μ F
Voltage Range:	1000 Vpk, 2000 Vpk
Capacitance Tolerance:	\pm 10%
Temperature Range:	-50 $^{\circ}$ C to $+70$ $^{\circ}$ C
Dissipation Factor:	.3% Maximum
Self Inductance:	0.10 μ Hn Maximum

Outline Drawing



Ratings

Cap (μ F)	Catalog Part Number	Case Code	Height (H) (Inches)	Current @ 55 $^{\circ}$ C (Arms)
1000 Vpk				
0.10	SNU102K104R-F	A	2.13	3
0.25	SNU102K254R-F	A	2.13	4
0.50	SNU102K504R-F	A	2.13	6
1.00	SNU102K105R-F	A	2.13	7
2.00	SNU102K205R-F	A	3.13	11
2000 Vpk				
0.05	SNU202K503R-F	A	2.13	2
0.10	SNU202K104R-F	A	2.13	3
0.25	SNU202K254R-F	A	2.13	4
0.50	SNU202K504R-F	A	2.88	7
1.00	SNU202K105R-F	A	4.50	12