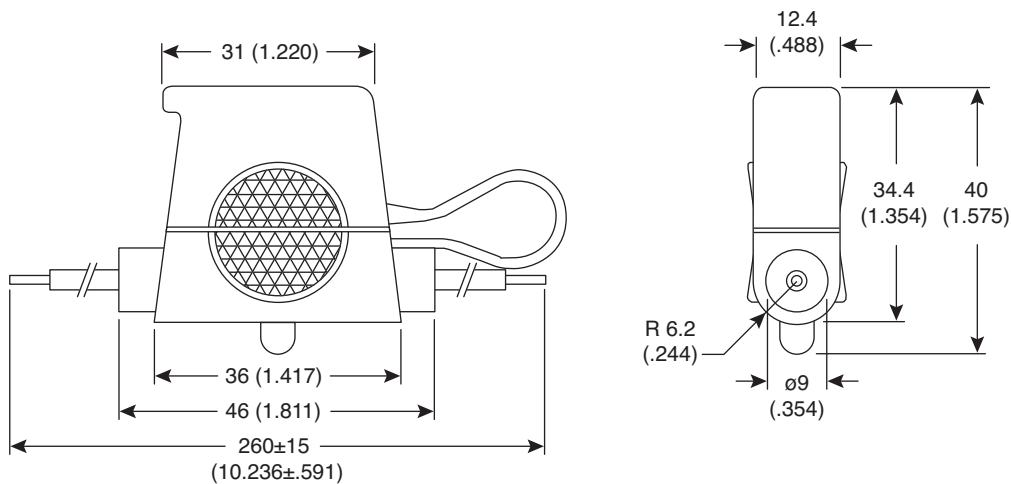
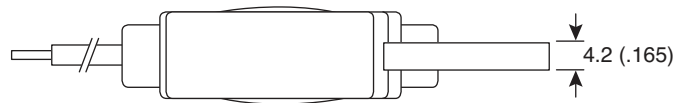
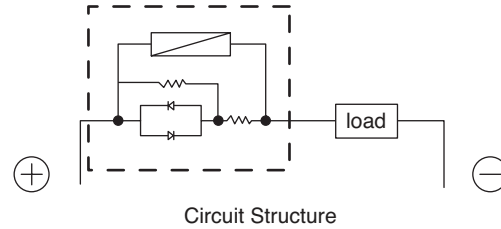
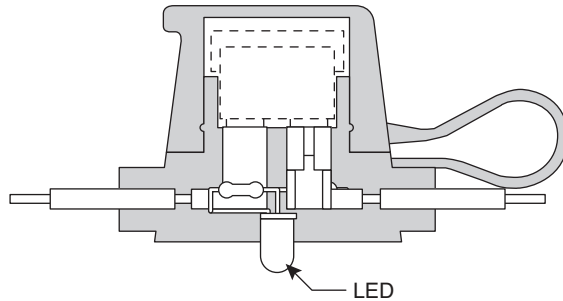


Fuse Holder

441-R359A, 441-R359B, 441-R359C, 441-R359D

Date Last Revised: 10-20-05



Dimensions: mm (In.)

Type	Wire	Rating	Wire Color
441-R359A	12AWG	30A 12-24 VDC	Red
441-R359B	14AWG	20A 12-24 VDC	Red
441-R359C	16AWG	15A 12-24 VDC	Red
441-R359D	18AWG	10A 12-24 VDC	Red

SPECIFICATIONS	
Rating:	12 - 24 VDC
Contact Resistance	50m Ω max.
Insulation Resistance:	500VDC 100M Ω min.
Dielectric Strength:	1000VAC, 1 minute
Terminals:	Brass Tin (Sn) Plated
Body:	PVC

Available from Mouser Electronics
 1-800-346-6873
 www.mouser.com

EPD-200124