

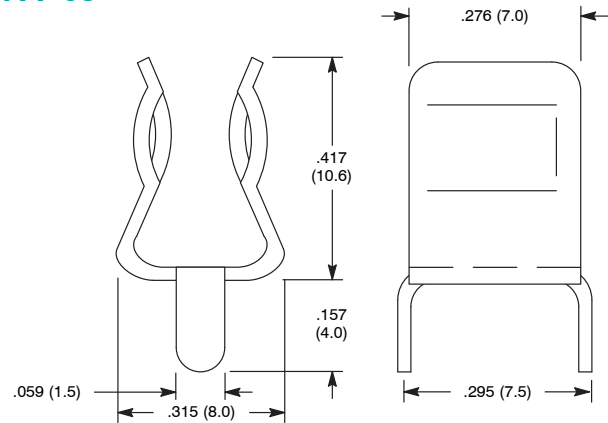
74-FC6, Fuse Clips

Specifications:

- For 6 x 30mm Fuse
- Contact Resistance: $-10M\Omega$ Max
- Rating: 12A / 250VAC



FA-03



74-FC10, Fuse Clips (Double Fluted)

Specifications:

- For 10 x 38mm Fuse
- Material: Phosphor Bronze, Nickel Plated
- Contact Resistance: 0.02Ω Max
- Rating: 25A / 1KV AC/DC



FA-12

