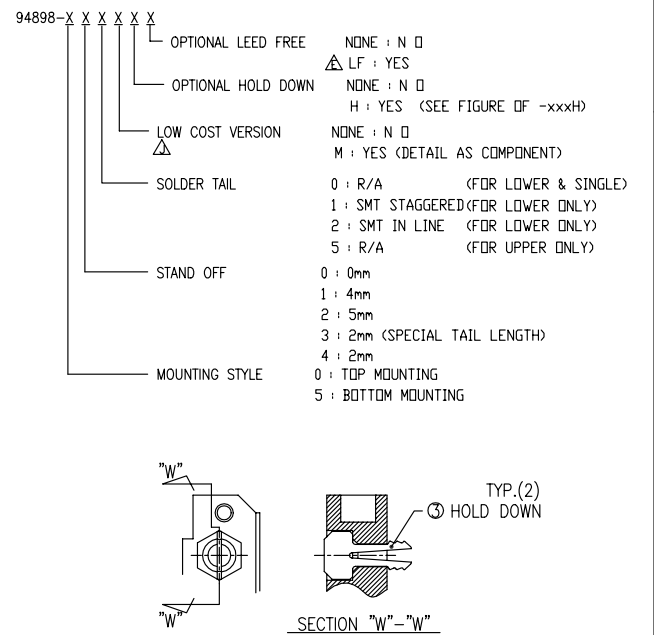


FCI CONFIDENTIAL  
 This document is the property of and embodies CONFIDENTIAL and PROPRIETARY information of FCI. No part of the information shown on this document may be used in any way or disclosed to others without the written consent of FCI.  
 Copyright © FCI

PRODUCT NO. 94898

PRODUCT NO. 94898-XXXX	STAND OFF (mm)	SOLDER TAIL (mm)	DIM "P" (mm)	DIM "Q" (mm)	FOR LOWER DECK OR UPPER DECK	HOLD DOWN	SHEET NO.	MOUNTING STYLE TO PCB		
000	0	R/A	2.8	---	LOWER	NONE	NO.2	TOP MOUNT 94898-0XXX		
000LF	0	R/A	2.8	---	LOWER	NONE				
000MLF	0	R/A	2.8	---	LOWER	NONE				
000H	0	R/A	2.8	---	LOWER	YES				
000HLF	0	R/A	2.8	---	LOWER	YES				
001	0	SMT STAGGERED	---	---	LOWER	NONE				
001LF	0	SMT STAGGERED	---	---	LOWER	NONE				
001H	0	SMT STAGGERED	---	---	LOWER	YES				
001HLF	0	SMT STAGGERED	---	---	LOWER	YES				
002	0	SMT IN LINE	---	---	LOWER	NONE				
002LF	0	SMT IN LINE	---	---	LOWER	NONE				
002H	0	SMT IN LINE	---	---	LOWER	YES				
002HLF	0	SMT IN LINE	---	---	LOWER	YES				
010	4	R/A	2.8	---	LOWER	NONE	NO.3	BLACK COLOR 94898-1XXX		
010LF	4	R/A	2.8	---	LOWER	NONE				
020	5	R/A	2.8	---	LOWER	NONE				
020LF	5	R/A	2.8	---	LOWER	NONE				
020MLF	5	R/A	2.8	---	LOWER	NONE				
021	5	R/A	2.8	---	LOWER	NONE				
021MLF	5	R/A	2.8	---	LOWER	NONE				
040	2	R/A	2.5	---	LOWER	NONE				
040MLF	2	R/A	2.5	---	LOWER	NONE				
040LF	2	R/A	2.5	---	LOWER	NONE				
005	FDR 0	R/A	2.8	8.6	UPPER	NONE	NO.4			
005LF	FDR 0	R/A	2.8	8.6	UPPER	NONE				
045	FDR 2	R/A	2.5	10.3	UPPER	NONE				
045MLF	FDR 2	R/A	2.5	10.3	UPPER	NONE				
045LF	FDR 2	R/A	2.5	10.3	UPPER	NONE				
500	0	R/A	2.8	---	LOWER	NONE			NO.5	BOTTOM MOUNT 94898-5XXX
500LF	0	R/A	2.8	---	LOWER	NONE				
500H	0	R/A	2.8	---	LOWER	YES				
500HLF	0	R/A	2.8	---	LOWER	YES				
501	0	SMT STAGGERED	---	---	LOWER	NONE				
501LF	0	SMT STAGGERED	---	---	LOWER	NONE				
501H	0	SMT STAGGERED	---	---	LOWER	YES				
501HLF	0	SMT STAGGERED	---	---	LOWER	YES				
502	0	SMT IN LINE	---	---	LOWER	NONE				
502LF	0	SMT IN LINE	---	---	LOWER	NONE				
502H	0	SMT IN LINE	---	---	LOWER	YES				
502HLF	0	SMT IN LINE	---	---	LOWER	YES				
510	4	R/A	2.8	---	LOWER	NONE	NO.6	94898-2XXX		
510LF	4	R/A	2.8	---	LOWER	NONE				
520	5	R/A	2.8	---	LOWER	NONE				
520LF	5	R/A	2.8	---	LOWER	NONE				
530	2	R/A	1.48	---	LOWER	NONE				
530LF	2	R/A	1.48	---	LOWER	NONE				
540	2	R/A	2.5	---	LOWER	NONE				
540LF	2	R/A	2.5	---	LOWER	NONE				
505	FDR 0	R/A	2.8	8.6	UPPER	NONE			NO.7	
505LF	FDR 0	R/A	2.8	8.6	UPPER	NONE				
535	FDR 2	R/A	1.48	9.28	UPPER	NONE				
535LF	FDR 2	R/A	1.48	9.28	UPPER	NONE				
545	FDR 2	R/A	2.5	10.3	UPPER	NONE				
545LF	FDR 2	R/A	2.5	10.3	UPPER	NONE				



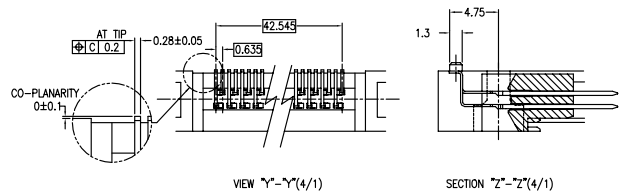
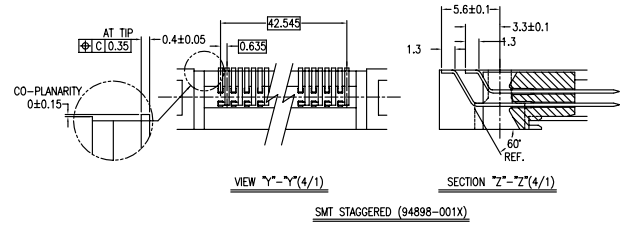
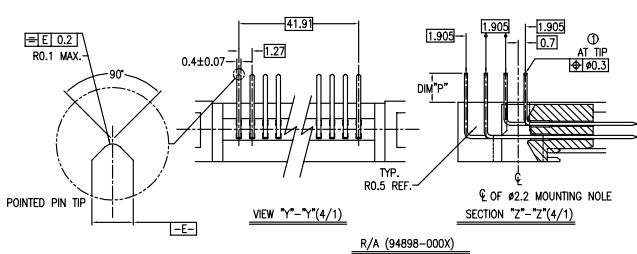
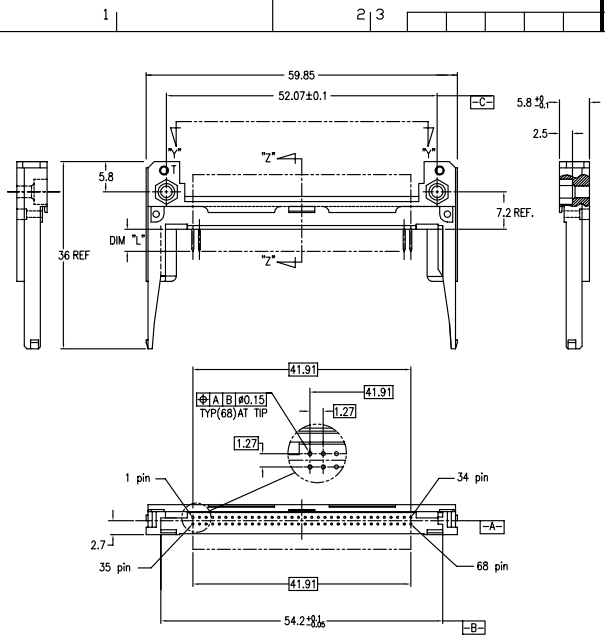
mat'l. code	surface	tolerance	projection	product family
ltr ecn no dr date	ISO 1302	ISO 406	ISO 1101	68 POS EJECTOR HEADER ASSY FOR LOW VOLTAGE
J N06-0065 M.Z 04/02/06	angles	linear	MM	
K N07-0219 M.Z 12/07/07	tolerances unless otherwise specified	linear	MM	
L N08-0041 M.Z 03/10/08	±2°	linear	scale	
M N08-0219 M.Z 10/10/08	dr M.Hasegawa 1/24/09	linear	scale	FCI
N N09-0045 SH 05/25/09	eng M.Hasegawa 1/24/09	linear	scale	dwg no 94898 sheet 1 of 7 size A4
	chr	linear	scale	type CUSTOMER Drawing
	appd	linear	scale	
sheet index	revision	M M M M M M M		
1	2	3	4	5

FCI CONFIDENTIAL

FCI

This document is the property of and embodies CONFIDENTIAL and PROPRIETARY information of FCI. No part of the information shown on this document may be used in any way or disclosed to others without the written consent of FCI. Copyright © FCI.

PRODUCT NO.
94898-000
94898-000LF
94898-000H
94898-000HLF
94898-000MLF
94898-001
94898-001LF
94898-001H
94898-001HLF
94898-002
94898-002LF
94898-002H
94898-002HLF



- NOTES
- TRUE POSITION IS A FREE GRID TO PIN PATTERN ITSELF.
  - SEE TA-946 FOR PCB LAYOUT.
  - MATERIAL
    - HOUSING : LCP UL94V-0 BLACK.
    - PIN : PHOSPHOR BRONZE.
    - HOLD-DOWN : BRASS
  - FINISH
    - PIN UNDER PLATING : 0.5µm MIN. Ni.
    - CONTACT AREA : 0.1µm MIN. Au.
    - SOLDER AREA : OVER 0.5µm MIN. Pd-Ni.
    - OR 2.5µm MIN. Sn-Pb.
    - OR 2.5µm MIN. PURE Sn.(FOR -XXLF)
    - HOLD-DOWN : 2.5µm MIN. PURE Sn.
  - RECOMMENDED PCB HOLE (OPTIONAL HOLD-DOWN) : 2.3±0.1
  - SEQUENCE PIN ASSIGNMENT
 

DIM	
4.25±0.1	3.5±0.1
5.0±0.1	1.7±0.1
36.67	35.3±0.1
PIN No.	OTHERS
  - GENERAL TOLERANCE : ±0.3
  - SEE SHEET 1 REGARDING COMPONENTS.
  - IF LEAD FREE P/N, THE HOUSING WILL WITHSTAND EXPOSURE TO 260° C PEAK TEMPERATURE FOR 10 SECONDS IN A WAVE SOLDER APPLICATION WITH A 1.00MM MINIMUM THICK CIRCUIT BOARD.
  - LEAD FREE PRODUCT MEETS EUROPEAN UNION DIRECTIVES AND OTHER COUNTRY REGULATIONS AS DISCRIBLED IN GS-22-008
  - IF LEAD FREE P/N, PACKAGE MEETS GS-14-920 SPECIFICATION

mat'l. code	surface	tolerance	projection	product family
l	ISO 1302	ISO 406	ISO 1181	
tr	tolerances unless otherwise specified			
n	angles	line ar	MM	68 POS EJECTOR HEADER ASSY FOR LOW VOLTAGE
	±2'		scale	dwg no 94898 sheet 2 of 7 size A4
	dir M.Hasegawa	engr M.Hasegawa		type CUSTOMER Drawing
sheet index	revision sheet			

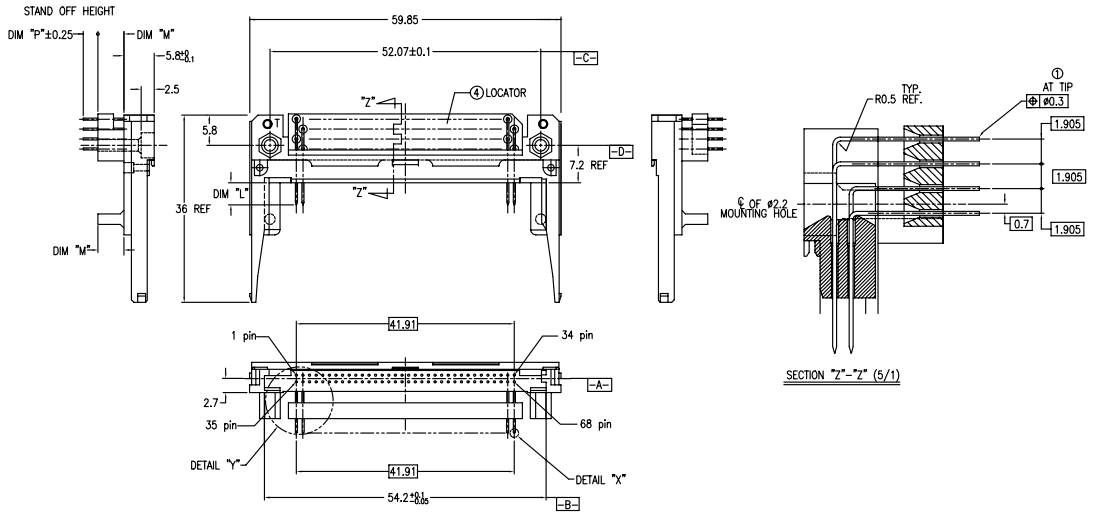
PDM Rev: N STATUS Released Printed: Oct 12, 2010 6

FCI CONFIDENTIAL

FCI

This document is the property of and embodies CONFIDENTIAL and PROPRIETARY information of FCI. No part of the information shown on this document may be used in any way or disclosed to others without the written consent of FCI. Copyright © FCI.

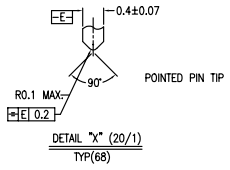
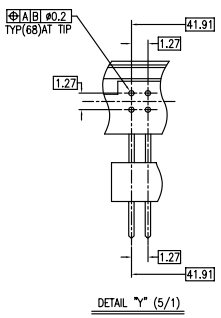
PRODUCT NO.	94898-010
94898-010LF	
94898-020/020M	
94898-020LF/020MLF	
94898-021MLF	
94898-040	
94898-040LF/040MLF	



- TRUE POSITION IS A FREE GRID TO PIN PATTERN ITSELF.
- SEE TA-946 FOR PCB LAYOUT.
- MATERIAL  
HOUSING : LCP UL94V-0 BLACK.  
PIN : PHOSPHOR BRONZE.  
HOLD-DOWN : BRASS
- FINISH  
PIN  
UNDER PLATING : 0.5um MIN. Ni.  
CONTACT AREA : 0.1um MIN. Au.  
OVER 0.5um MIN. Pd-Ni.  
SOLDER AREA : 2.5um MIN. Sn-Pb.  
OR 2.5um MIN. PURE Sn.(FOR -XXXLF)  
HOLD-DOWN : 2.5um MIN. PURE Sn.
- RECOMMENDED PCB HOLE (OPTIONAL HOLD-DOWN) : 2.3±0.1
- SEQUENCE PIN ASSIGNMENT
- GENERAL TOLERANCE : ±0.3
- SEE SHEET 1 REGARDING COMPONENTS.

- IF LEAD FREE P/N, THE HOUSING WILL WITHSTAND EXPOSURE TO 260° C PEAK TEMPERATURE FOR 10 SECONDS IN A WAVE SOLDER APPLICATION WITH A 1.00MM MINIMUM THICK CIRCUIT BOARD.
- LEAD FREE PRODUCT MEETS EUROPEAN UNION DIRECTIVES AND OTHER COUNTRY REGULATIONS AS DISCRIBLED IN GS-22-008
- IF LEAD FREE P/N, PACKAGE MEETS GS-14-920 SPECIFICATION
- "M" SHOWS IT IS LOW COST VERSION, IT IS OPTIONAL AND IN FIRST OF LETTER OF PART NO., SUCH AS 94898-020MLF IS LOW COST VERSION 94898-020LF IS NOT LOW COST VERSION.

	DIM "M"	DIM "L"
425±0.1	3.5±0.1	5.0±0.1
PIN No. OTHERS	36.67	36.17±0.08



mat'l. code	surface	tolerance	projection	product family
l	ISO 1302	ISO 406	ISO 1101	
tr	angles	linear	MM	68 POS EJECTOR HEADER ASSY FOR LOW VOLTAGE
	±2'		scale	
	dir	M.Hasegawa	1/14/98	dwg no 94898 sheet 3 of 7 size A4
	engr	M.Hasegawa	1/14/98	type CUSTOMER Drawing
	chr			
	appd			
sheet index	revision sheet			

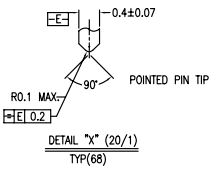
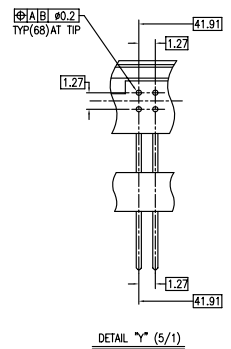
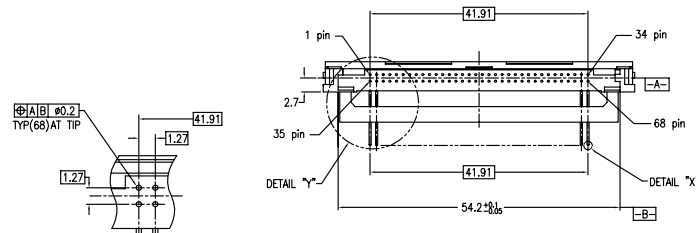
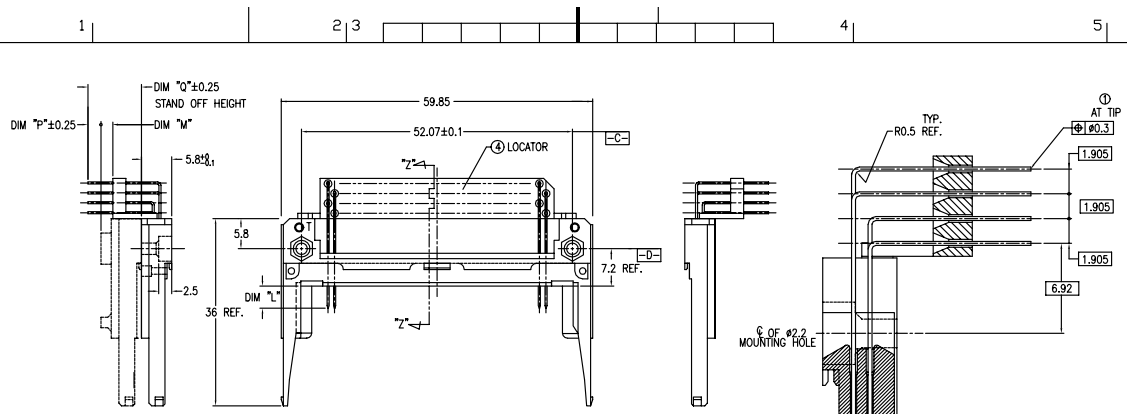
PDM Rev: N STATUS Released Printed: Oct 12, 2010 6

FCI CONFIDENTIAL

FCI

This document is the property of and embodies CONFIDENTIAL and PROPRIETARY information of FCI. No part of the information shown on this document may be used in any way or disclosed to others without the written consent of FCI. Copyright © FCI.

PRODUCT NO.	94898-005
	94898-005LF
	94898-045
	94898-045LF



NOTES

- TRUE POSITION IS A FREE GRID TO PIN PATTERN ITSELF.
- SEE 1A-946 FOR PCB LAYOUT.
- MATERIAL  
HOUSING : LCP UL94V-0 BLACK.  
PIN : PHOSPHOR BRONZE.  
HOLD-DOWN : BRASS
- FINISH  
PIN  
UNDER PLATING : 0.5µm MIN. Ni.  
CONTACT AREA : 0.1µm MIN. Au.  
OVER 0.5µm MIN. Pd-Ni.  
SOLDER AREA : 2.5µm MIN. Sn-Pb.  
OR 2.5µm MIN. PURE Sn.(FOR -XXXLF)  
HOLD-DOWN : 2.5µm MIN. PURE Sn.
- RECOMMENDED PCB HOLE (OPTIONAL HOLD-DOWN) : 2.3±0.1
- SEQUENCE PIN ASSIGNMENT
- GENERAL TOLERANCE : ±0.3
- SEE SHEET 1 REGARDING COMPONENTS.
- IF LEAD FREE P/N, THE HOUSING WILL WITHSTAND EXPOSURE TO 260° C PEAK TEMPERATURE FOR 10 SECONDS IN A WAVE SOLDER APPLICATION WITH A 1.00MM MINIMUM THICK CIRCUIT BOARD.
- LEAD FREE PRODUCT MEETS EUROPEAN UNION DIRECTIVES AND OTHER COUNTRY REGULATIONS AS DISCRIBLED IN GS-22-008
- IF LEAD FREE P/N, PACKAGE MEETS GS-14-920 SPECIFICATION

	DIM "I"		
	4.25±0.1	3.55±0.1	5.0±0.1
PIN No.	OTHERS	36,67	37,68

mat'l. code	surface	tolerance	projection	product family
	ISO 1302	ISO 406	ISO 1101	
tr/elect no	dr	date	tolerances unless otherwise specified	title
N			angles	68 POS EJECTOR HEADER ASSY
			linear	FOR LOW VOLTAGE
			±2'	scale
	dr	M.Hasegawa	1/14/98	dwg no
	engr	M.Hasegawa	1/14/98	94898
	chr			sheet 4 of 7 size
	app			A4
sheet	revision			type CUSTOMER Drawing
index	sheet			

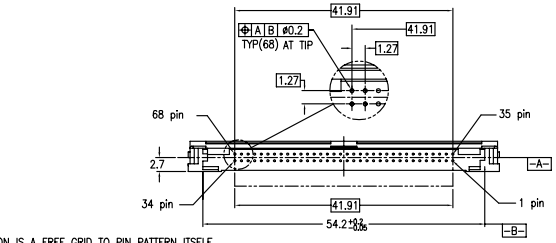
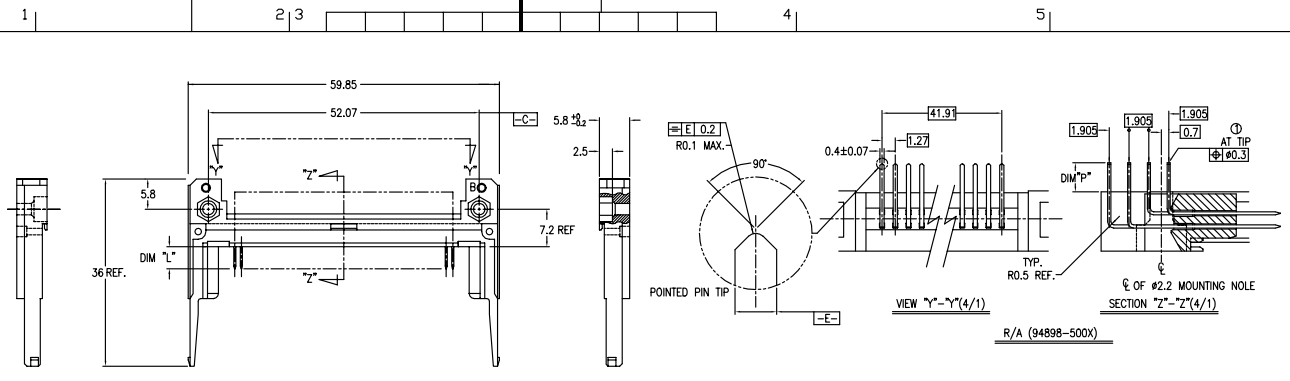
FCI CONFIDENTIAL

FCI

This document is the property of and embodies CONFIDENTIAL and PROPRIETARY information of FCI. No part of the information shown on this document may be used in any way or disclosed to others without the written consent of FCI. Copyright FCI.

PRODUCT NO.
94898-500
94898-500LF
94898-500H
94898-500HLF
94898-501
94898-501LF
94898-501H
94898-501HLF
94898-502
94898-502J
94898-502LF
94898-502H
94898-502HLF

SEE NOTE 12

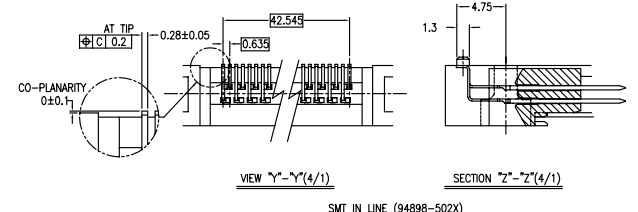
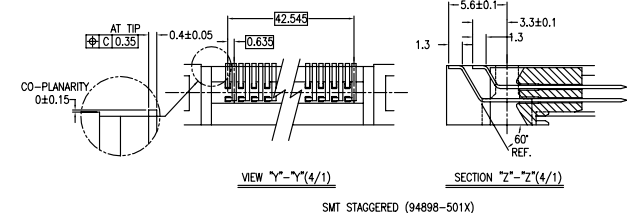


NOTES

- TRUE POSITION IS A FREE GRID TO PIN PATTERN ITSELF.
- SEE TA-946 FOR PCB LAYOUT.
- MATERIAL  
HOUSING : LCP UL94V-0 NATURAL  
PIN : PHOSPHOR BRONZE  
HOLD-DOWN : BRASS
- FINISH  
PIN  
UNDER PLATING : 0.5µm MIN. Ni.  
CONTACT AREA : 0.1µm MIN. Au.  
OVER 0.5µm MIN. Pd-Ni.  
SOLDER AREA : 2.5µm MIN. Sn-Pb.  
OR 2.5µm MIN. PURE Sn.(FOR -XXXLF)  
HOLD-DOWN : 2.5µm MIN. PURE Sn.
- RECOMMENDED PCB HOLE (OPTIONAL HOLD-DOWN) : 2.3±0.1
- SEQUENCE PIN ASSIGNMENT

PIN No.	OTHERS	68	35	34
	4.25±0.1	3.5±0.1	5.0±0.1	1.7±0.1
	36.67	37.34	37.68	

- GENERAL TOLERANCE : ±0.3
- SEE SHEET 1 REGARDING COMPONENTS.
- IF LEAD FREE P/N, THE HOUSING WILL WITHSTAND EXPOSURE TO 260° C PEAK TEMPERATURE FOR 10 SECONDS IN A WAVE SOLDER APPLICATION WITH A 1.00MM MINIMUM THICK CIRCUIT BOARD.
- LEAD FREE PRODUCT MEETS EUROPEAN UNION DIRECTIVES AND OTHER COUNTRY REGULATIONS AS DISCRIBLED IN GS-22-008
- IF LEAD FREE P/N, PACKAGE MEETS GS-14-920 SPECIFICATION
- THE P/N 94898-502J HAS SPECIAL TRAY, IT IS 10084720-001.



mat'l code	surface	tolerance	projection	product family
l	ISO 1302	ISO 406	ISO 1181	
tr	ecn	no	dr	date
N				
	angles	linear		MM
	±2'			scale
	dir	M.Hasegawa	1/24/98	
	eng	M.Hasegawa	1/24/98	
	chr			
	app			
sheet	revision			
index	sheet			

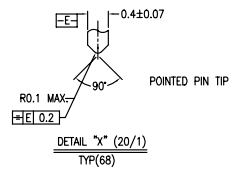
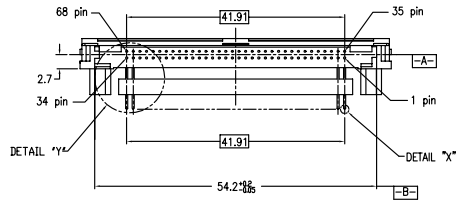
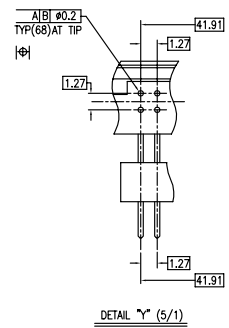
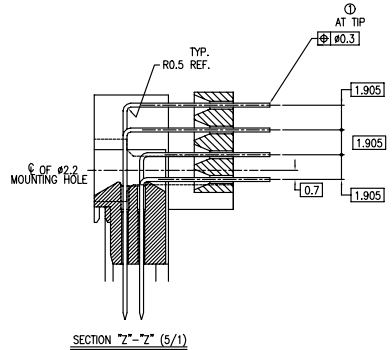
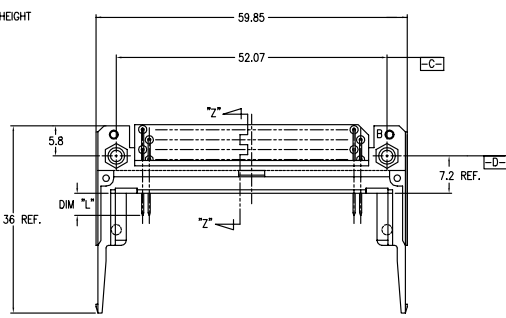
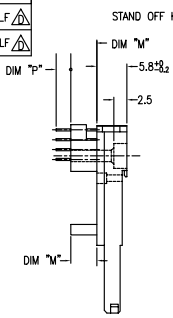
68 POS EJECTOR HEADER ASSY FOR LOW VOLTAGE  
 dwg no 94898 sheet 5 of 7 size A4  
 type CUSTOMER Drawing

FCI CONFIDENTIAL

FCI

This document is the property of and embodies CONFIDENTIAL and PROPRIETARY information of FCI. No part of the information shown on this document may be used in any way or disclosed to others without the written consent of FCI. Copyright © FCI.

PRODUCT NO.	
94898-510	94898-510LF
94898-520	94898-520LF
94898-530	94898-530LF
94898-540	94898-540LF



NOTES

- TRUE POSITION IS A FREE GRID TO PIN PATTERN ITSELF.
- SEE TA-946 FOR PCB LAYOUT.
- MATERIAL  
HOUSING : LCP UL94V-0 NATURAL  
PIN : PHOSPHOR BRONZE  
HOLD-DOWN : BRASS
- FINISH  
PIN  
UNDER PLATING : 0.5µm MIN. Ni.  
CONTACT AREA : 0.1µm MIN. Au.  
SOLDER AREA : 2.5µm MIN. Sn-Pb.  
OR 2.5µm MIN. PURE Sn.(FOR -XXXLF)  
HOLD-DOWN : 2.5µm MIN. PURE Sn.
- RECOMMENDED PCB HOLE (OPTIONAL HOLD-DOWN) : 2.3±0.1
- SEQUENCE PIN ASSIGNMENT
- GENERAL TOLERANCE : ±0.3
- SEE SHEET 1 REGARDING COMPONENTS.
- IF LEAD FREE P/N, THE HOUSING WILL WITHSTAND EXPOSURE TO 260° C PEAK TEMPERATURE FOR 10 SECONDS IN A WAVE SOLDER APPLICATION WITH A 1.00MM MINIMUM THICK CIRCUIT BOARD.
- LEAD FREE PRODUCT MEETS EUROPEAN UNION DIRECTIVES AND OTHER COUNTRY REGULATIONS AS DISCRIBED IN GS-22-008
- IF LEAD FREE P/N, PACKAGE MEETS GS-14-920 SPECIFICATION

	DIM 'L'	
PIN No.	4.25±0.1	3.5±0.1
OTHERS	36.67	50.0±0.1

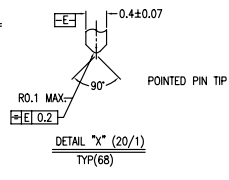
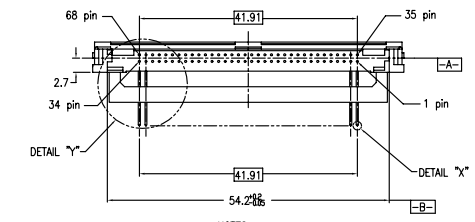
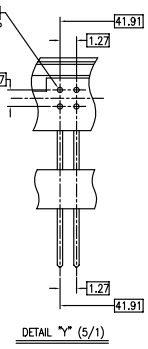
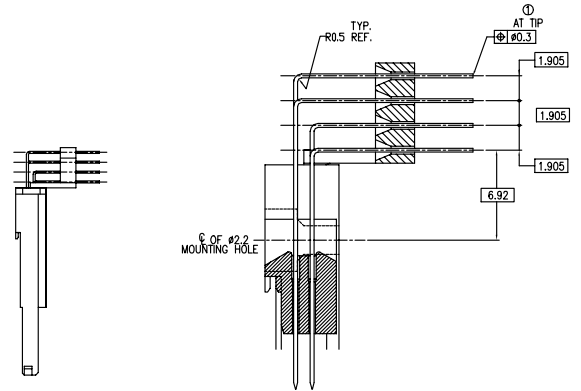
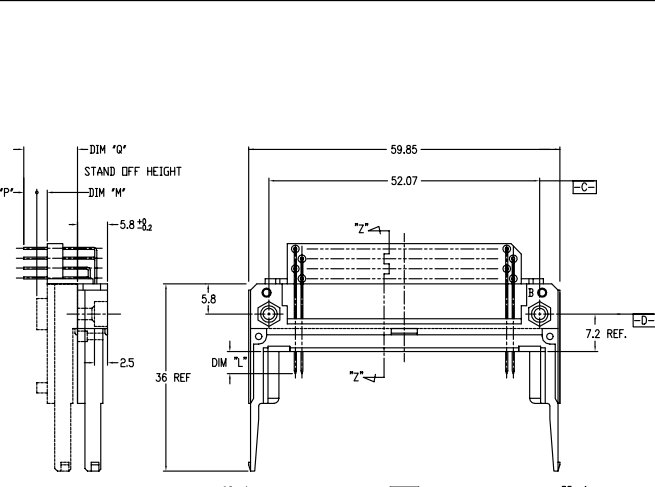
mat'l. code	surface	tolerance	projection	product family
	ISO 1302	ISO 406	ISO 1101	
tr	ec	no	dr	date
N				
	angles	linear	MM	title
	±2'		scale	68 POS EJECTOR HEADER ASSY FOR LOW VOLTAGE
	dir	M.Hasegawa	1/14/06	dwg no
	eng	M.Hasegawa	1/14/06	94898
	chr			sheet 6 of 7
	app			size A4
sheet	revision			type CUSTOMER Drawing
index	sheet			

FCI CONFIDENTIAL

FCI

This document is the property of and embodies CONFIDENTIAL and PROPRIETARY information of FCI. No part of the information shown on this document may be used in any way or disclosed to others without the written consent of FCI. Copyright © FCI.

PRODUCT NO.
94898-505
94898-505LF
94898-535
94898-535LF
94898-545
94898-545LF



- NOTES
- TRUE POSITION IS A FREE GRID TO PIN PATTERN ITSELF.
  - SEE TA-946 FOR PCB LAYOUT.
  - MATERIAL
    - HOUSING : LCP UL94V-0 NATURAL.
    - PIN : PHOSPHOR BRONZE.
    - HOLD-DOWN : BRASS
  - FINISH
    - PIN UNDER PLATING : 0.5µm MIN. Ni.
    - CONTACT AREA : 0.1µm MIN. Au.
    - OVER 0.5µm MIN. Pd-Ni.
    - SOLDER AREA : 2.5µm MIN. Sn-Pb.
    - OR 2.5µm MIN. PURE Sn.(FOR -XXLF)
    - HOLD-DOWN : 2.5µm MIN. PURE Sn.
  - RECOMMENDED PCB HOLE (OPTIONAL HOLD-DOWN) : 2.34±0.1
  - SEQUENCE PIN ASSIGNMENT
- | PIN No. | DIM 'X'  |         |            |
|---------|----------|---------|------------|
|         | 4.28±0.1 | 3.5±0.1 | 5.0±0.1    |
| OTHERS  | 36.67    | 17.54   | 35.51±0.08 |
- GENERAL TOLERANCE : ±0.3
  - SEE SHEET 1 REGARDING COMPONENTS.
  - IF LEAD FREE P/N, THE HOUSING WILL WITHSTAND EXPOSURE TO 260° C PEAK TEMPERATURE FOR 10 SECONDS IN A WAVE SOLDER APPLICATION WITH A 1.00MM MINIMUM THICK CIRCUIT BOARD.
  - LEAD FREE PRODUCT MEETS EUROPEAN UNION DIRECTIVES AND OTHER COUNTRY REGULATIONS AS DESCRIBED IN GS-22-008
  - IF LEAD FREE P/N, PACKAGE MEETS GS-14-920 SPECIFICATION

mat'l. code	surface	tolerance	projection	product family
tr	ISO 1302	ISO 406	ISO 1101	
ec	tolerances unless otherwise specified			title
n	angles	linear	MM	68 POS EJECTOR HEADER ASSY FOR LOW VOLTAGE
	±2'		scale	dwg no
	dr M.Hasegawa	eng M.Hasegawa		94898
	chr	app		sheet 7 of 7
				size A4
sheet	revision			type CUSTOMER Drawing
index	sheet			