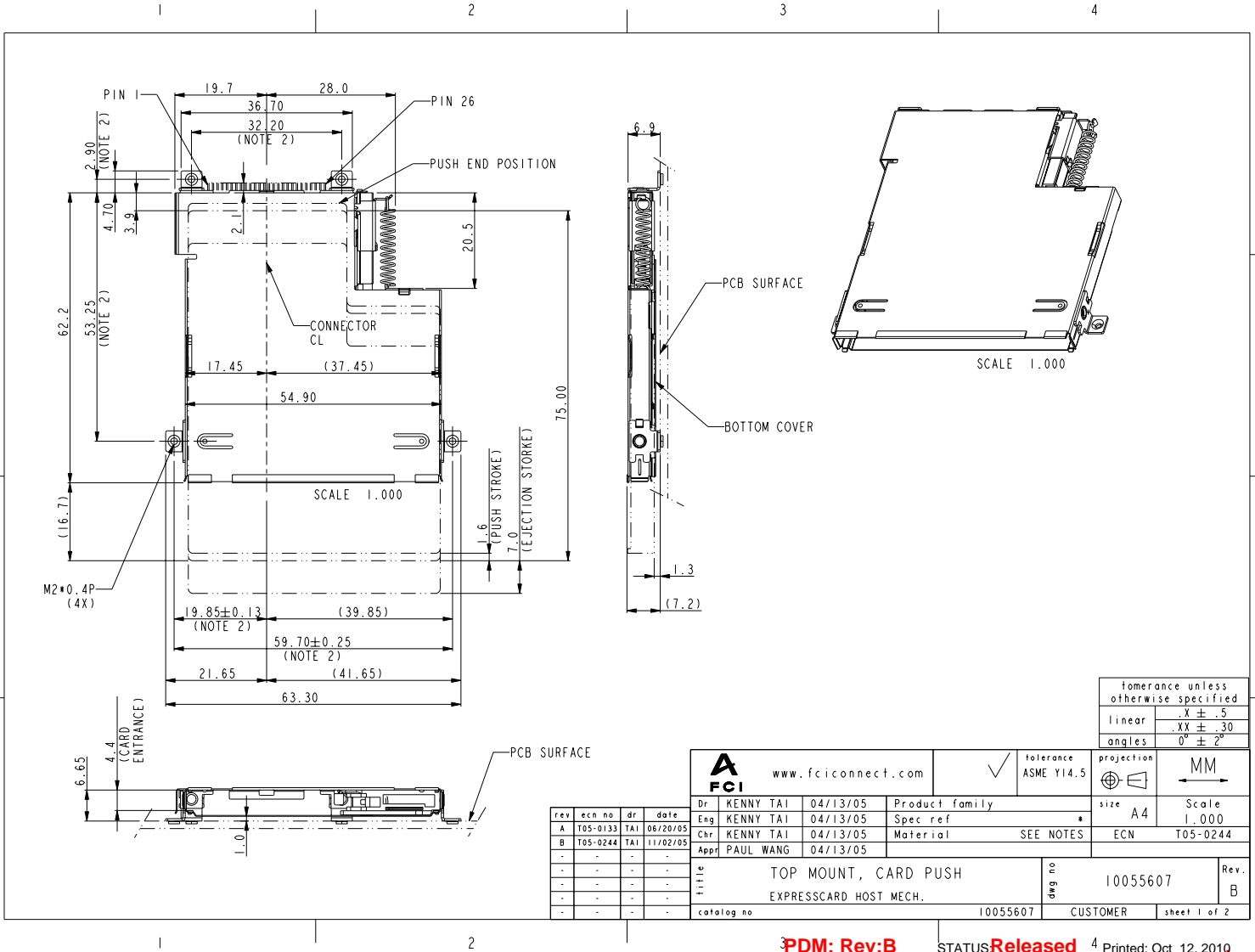


Tous droits strictement réservés. Reproduction ou communication à des tiers interdite sous quelque forme que ce soit sans la permission écrite de la Propriété de FCI. Droits de reproduction FCI.



All rights strictly reserved. Reproduction or issue to third parties in any form or manner is not permitted without written permission of FCI. Copyright FCI.



rev	ecn no	dr	date
A	T05-0133	TAI	06/20/05
B	T05-0244	TAI	11/02/05
-	-	-	-
-	-	-	-
-	-	-	-
-	-	-	-

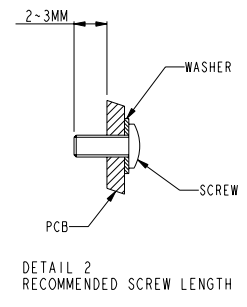
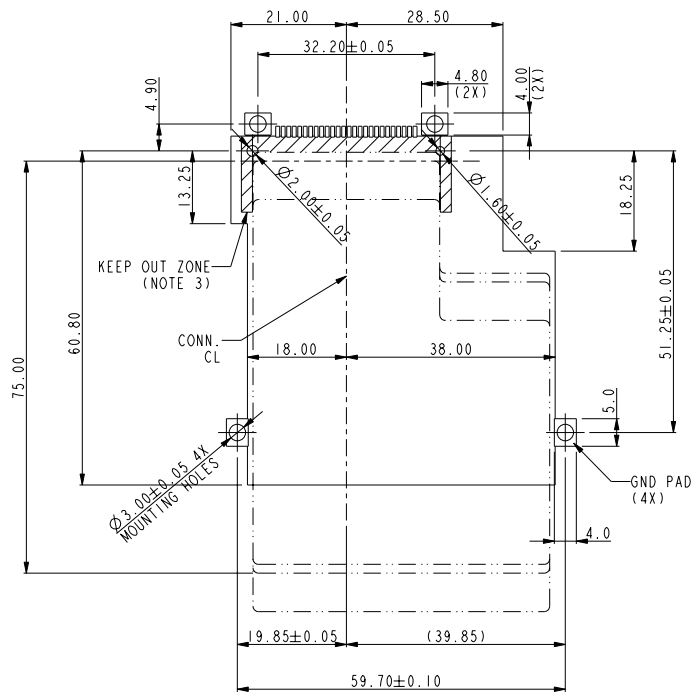
www.fciconnect.com		<input checked="" type="checkbox"/> tolerance ASME Y14.5	projection MM
Dr	KENNY TAI	04/13/05	Product family
Eng	KENNY TAI	04/13/05	Spec ref *
Chr	KENNY TAI	04/13/05	Material SEE NOTES
Appr	PAUL WANG	04/13/05	ECN T05-0244
title TOP MOUNT, CARD PUSH EXPRESSCARD HOST MECH.		eng no 10055607	size A4 Scale 1.000 Rev. B
catalog no 10055607		CUSTOMER	sheet 1 of 2

Tous droits strictement réservés. Reproduction ou communication à des tiers interdite sous quelque forme que ce soit sans l'autorisation écrite du Propriétaire. Property of FCI. Droits de reproduction FCI.



All rights strictly reserved. Reproduction or issue to third parties in any form without written permission is not permitted without written approval of FCI. Property of FCI. Copyright FCI.

PART NO.	MOUNTING	STAND-OFF	HOST CONN P/N	PRODUCT SPEC.	PACKING SPEC.	NOTE
10055607-10A	ABOVE	1.0MM	10055606-X10AXLXLF	GS-12-301	GS-14-295	LEAD FREE
10055607-10A	ABOVE	1.0MM	10055606-X10AXLXLF	GS-12-301	GS-14-295	LEAD FREE



MOUNTING PART
HEIGHT 0.6MM MAX.

SCALE 1.000

- NOTE:
1. 4 M2*0.4P SCREWS WITH WASHER ARE REQUIRED.
 2. SHOW DIMENSION AFTER FASTENED TO PCB.
 3. SEE HOST CONNECTOR DRAWINGS FOR PCB LAYOUT DETAIL.
 4. RECOMMENDED TIGHTING TORQUE 1.6~1.8 KGF-CM.
 5. SEE DETAIL 2 FOR RECOMMENDED SCREW LENGTH.

TITLE	TOP MOUNT, CARD PUSH EXPRESSCARD HOST MECH.	dwg no	10055607	Rev.	B
catalog no	10055607	CUSTOMER	sheet 2 of 2		

PDM: Rev:B STATUS **Released** 4 Printed: Oct 12, 2010