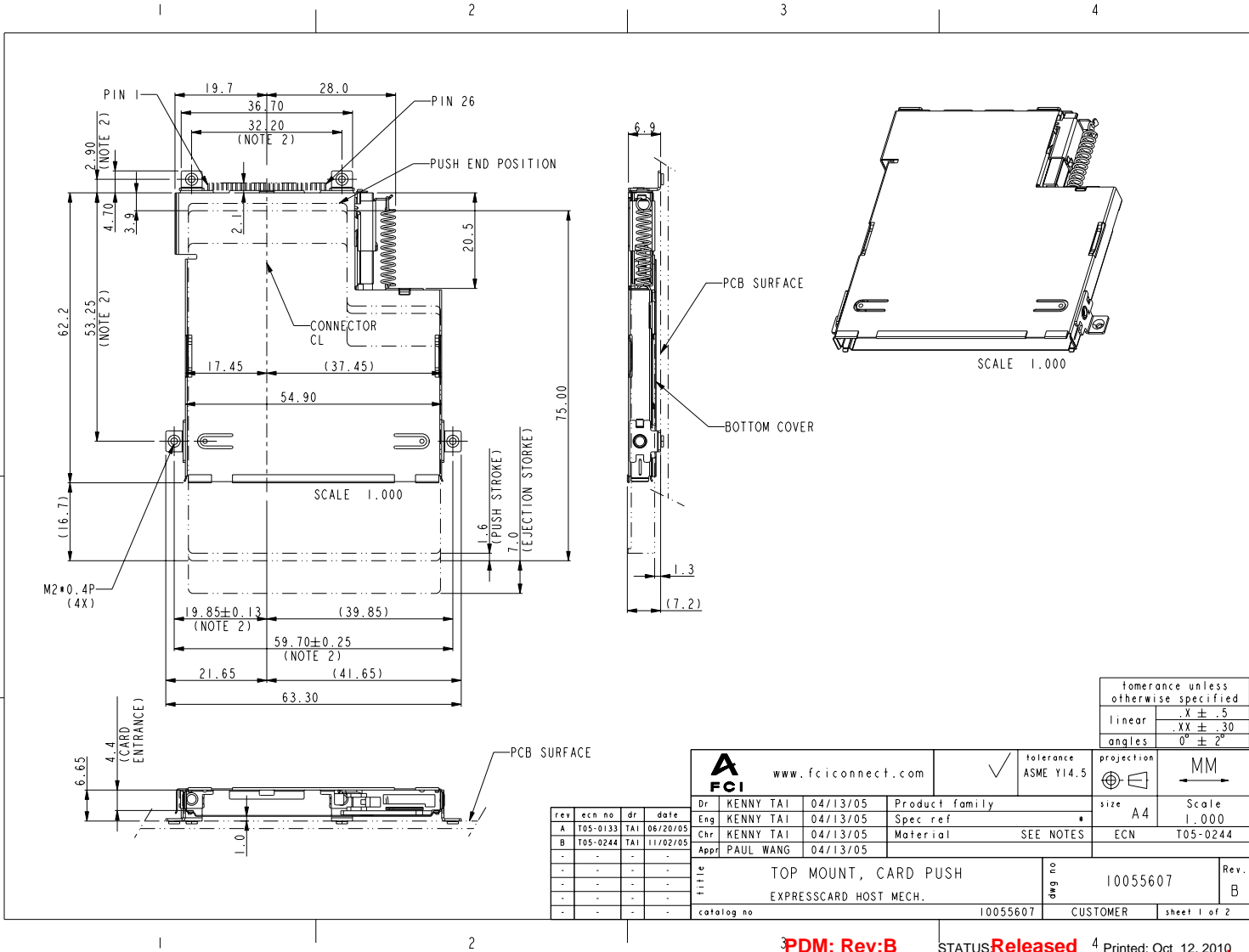


Tous droits strictement réservés. Reproduction ou communication à des tiers interdite sans quelque autorisation écrite de FCI. Propriété de FCI. Droits de reproduction FCI.



All rights strictly reserved. Reproduction or issue to third parties in any form or manner is not permitted without written authorization of FCI. Copyright FCI.



rev	ecm no	dr	date
A	T05-0133	TAI	06/20/05
B	T05-0244	TAI	11/02/05
-	-	-	-
-	-	-	-
-	-	-	-
-	-	-	-

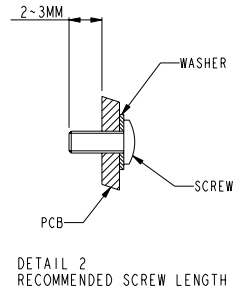
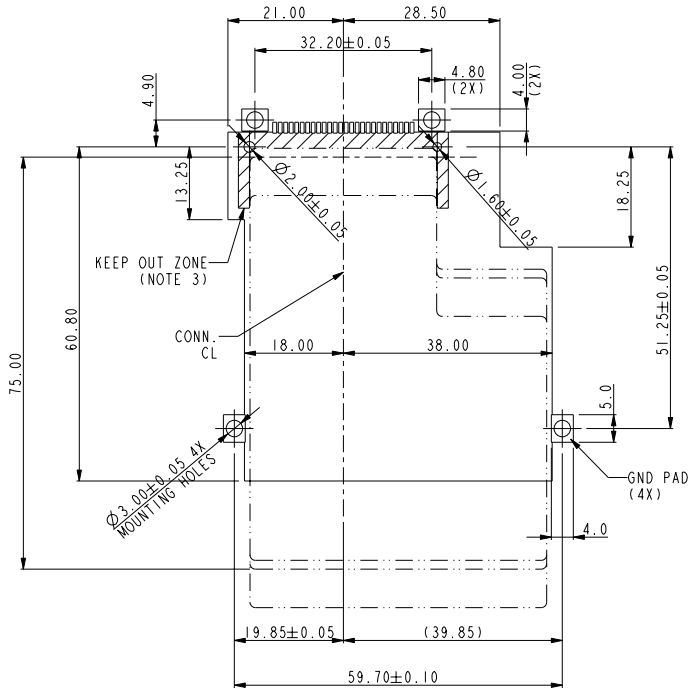
www.fciconnect.com		tolerance ASME Y14.5	projection	tolerance unless otherwise specified
Dr	KENNY TAI	04/13/05	Product family	linear .X ± .5
Eng	KENNY TAI	04/13/05	Spec ref	angles .XX ± .30
Chr	KENNY TAI	04/13/05	Material	0° ± 2°
Appr	PAUL WANG	04/13/05	SEE NOTES	MM
Title			size	Scale
TOP MOUNT, CARD PUSH			A4	1.000
EXPRESSCARD HOST MECH.			ECN	T05-0244
catalog no		10055607	customer	sheet 1 of 2
eng no		10055607	Rev.	B

Tous droits strictement réservés. Reproduction ou communication à des tiers interdite sous quelque forme que ce soit sans l'autorisation écrite du Propriétaire. Property of FCI. Droits de reproduction FCI.



All rights strictly reserved. Reproduction or issue to third parties in any form or manner is not permitted without written permission of FCI. Property of FCI. Copyright FCI.

PART NO.	MOUNTING	STAND-OFF	HOST CONN P/N	PRODUCT SPEC.	PACKING SPEC.	NOTE
10055607-10A	ABOVE	1.0MM	10055606-X10AXLXLF	GS-12-301	GS-14-295	LEAD FREE
10055607-10A	ABOVE	1.0MM	10055606-X10AXLXLF	GS-12-301	GS-14-295	LEAD FREE



MOUNTING PART  
HEIGHT 0.6MM MAX.

SCALE 1.000

NOTE:

1. 4 M2\*0.4P SCREWS WITH WASHER ARE REQUIRED.
2. SHOW DIMENSION AFTER FASTENED TO PCB.
3. SEE HOST CONNECTOR DRAWINGS FOR PCB LAYOUT DETAIL.
4. RECOMMENDED TIGHTING TORQUE 1.6~1.8 KGF-CM.
5. SEE DETAIL 2 FOR RECOMMENDED SCREW LENGTH.

title	TOP MOUNT, CARD PUSH EXPRESSCARD HOST MECH.	dwg no	10055607	Rev.	B
catalog no	10055607	CUSTOMER	sheet 2 of 2		

**PDM: Rev:B**

STATUS **Released** 4 Printed: Oct 12, 2010