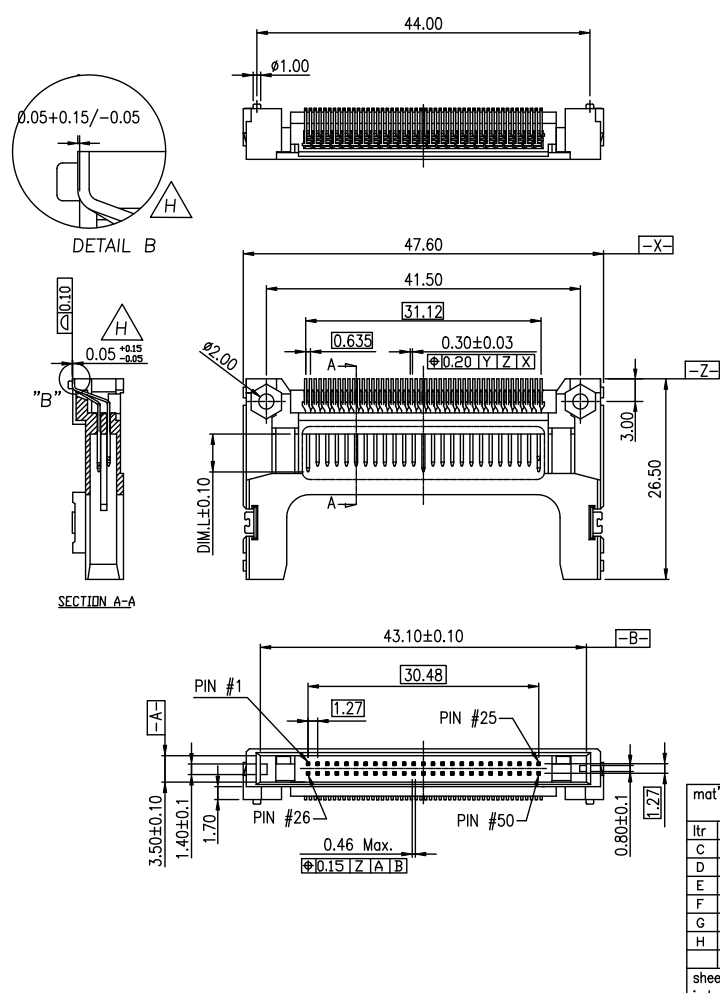


Tous droits strictement réservés. Reproduction ou communication à des tiers interdite sous quelque forme que ce soit sans autorisation écrite du propriétaire. Propriété de c FCI. Droits de reproduction FCI.

All rights strictly reserved. Reproduction or issue to third parties in any form whatever is not permitted without written authority from the proprietor. Property of FCI. Copyright FCI.



PRODUCT NO.
10017963-XXXX



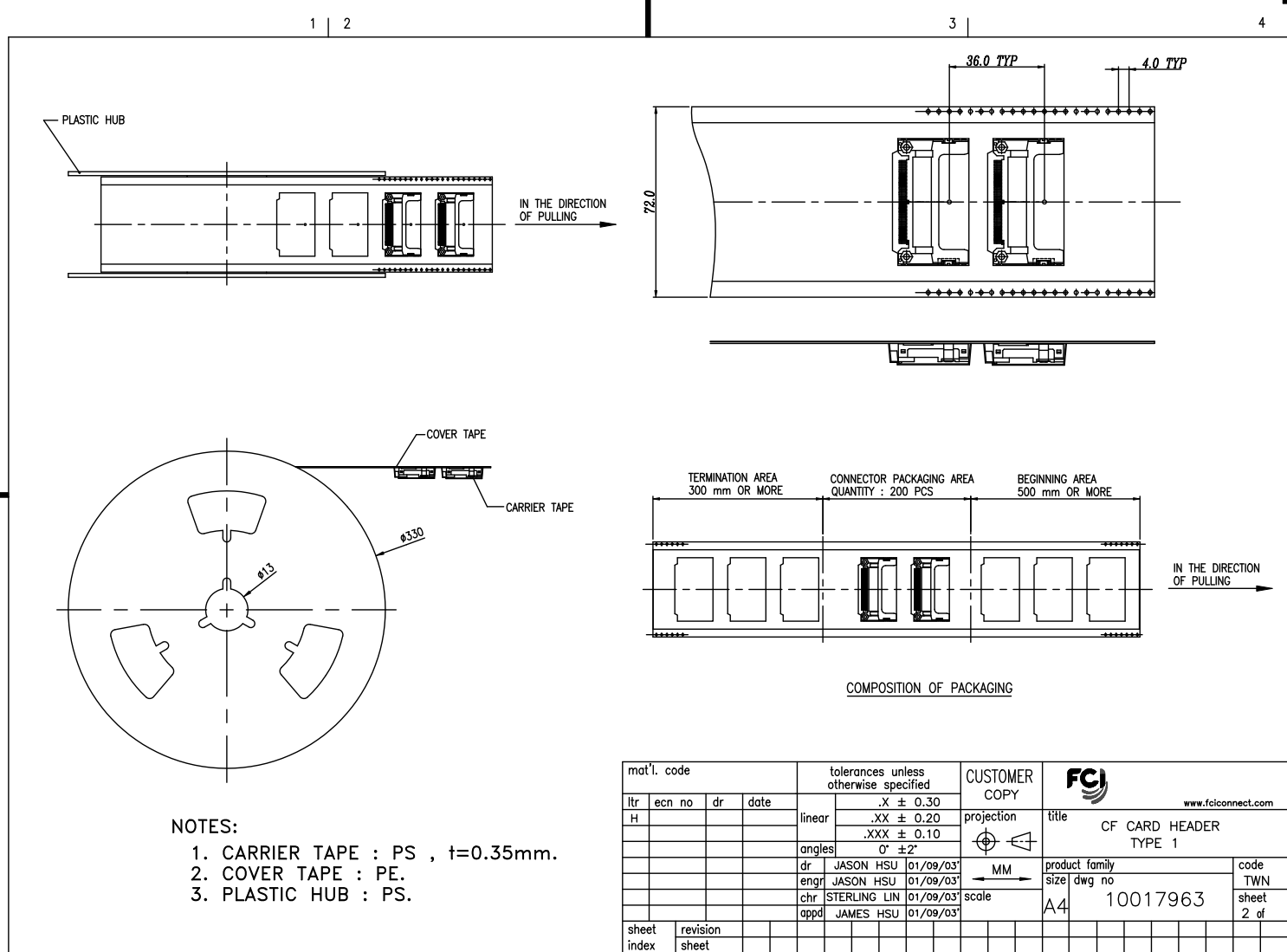
PIN TYPE	DIM.L ± 0.10	PIN NUMBER
DETECT	3.50	25,26
GENERAL	4.25	ALL OTHER PINS
POWER	5.00	1,13,38,50

mat'l. code				tolerances unless otherwise specified		CUSTOMER COPY	FCI	
ltr	ecn no	dr	date	linear	.X ± 0.30	projection	www.fciconnect.com	
C	T03-0415	J.C	9/22/03		.XX ± 0.20		title	
D	T05-0122	A.C	6/07/05		.XXX ± 0.10		CF CARD HEADER TYPE 1	
E	T07-1119	WL	07/24/07	angles	0' $\pm 2'$		product family	
F	T08-1014	WL	01/24/08	dr	JASON HSU 01/09/03		size	
G	T08-1023	WL	02/12/08	enrg	JASON HSU 01/09/03		dwg no	
H	T10-0056	S.LIN	10'-5-06	chr	STERLING LIN 01/09/03		10017963	
				appd	JAMES HSU 01/09/03	scale	A4	code
sheet index	revision sheet	H	H	H				TWN
		1	2	3				1 of 3

ACAD PDM: Rev:H STATUS: Released cage code 22526 May 08, 2010

Tous droits strictement réservés. Reproduction ou communication à des tiers interdite sous quelque forme que ce soit sans autorisation écrite du propriétaire. Propriété de c FCI. Droits de reproduction FCI.

All rights strictly reserved. Reproduction or issue to third parties in any form whatever is not permitted without written authority from the proprietor. Property of FCI. Copyright FCI.



- NOTES:
1. CARRIER TAPE : PS , t=0.35mm.
 2. COVER TAPE : PE.
 3. PLASTIC HUB : PS.

mat'l. code				tolerances unless otherwise specified		CUSTOMER COPY		FCI		www.fciconnect.com	
ltr	ecn no	dr	date	linear	.X ± 0.30	projection	title	CF CARD HEADER TYPE 1		code	
H					.XX ± 0.20						
				angles	.XXX ± 0.10	MM	product family	size		TWN	
				dr	0° ± 2°						
				engr	JASON HSU 01/09/03	scale	A4	10017963		sheet	
				chr	STERLING LIN 01/09/03						
				appd	JAMES HSU 01/09/03					2 of	
sheet index	revision sheet										

ACAD PDM: Rev:H STATUS: Released cage code 22526 22 May 08, 2010

NOTES:

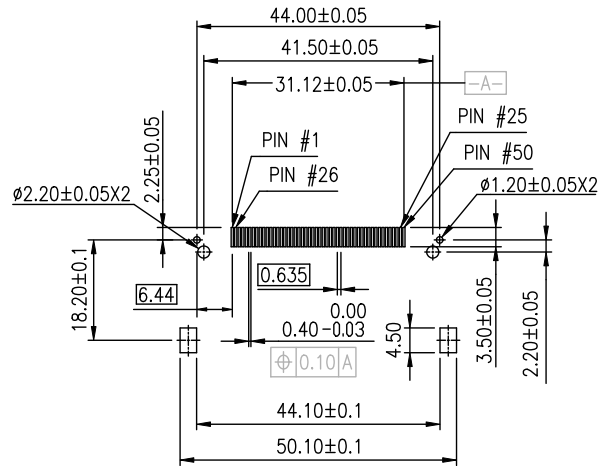
1. Materials:
Housing: High Temperature Thermoplastic , UL94V-0, Color/Natural.
Contact: Copper Alloy.
Solderable Holddown: Copper Alloy.
2. Specification:
Product Spec: GS-12-240.
Packaging Spec: GS-14-1010.
3. Tin/Lead Plating Spec:
Contact: Under Plated 50u" Min Nickel All Over,
100u" Min Tin/Lead in Solder Tail Area,
Selective Gold Plating in Contact Area.
Solderable Holddown: Under Plated 50u" Min Nickel,
Plated 100u"Min Tin/Lead All Over.
4. Lead-Free Plating Spec:
Contact: Under Plated 50u" Min Nickel All Over,
100u" Min Pure Matte Tin in Solder Tail Area,
Selective Gold Plating in Contact Area.
Solderable Holddown: Under Plated 50u" Min Nickel,
Plated 100u"Min Pure Matte Tin All Over.
5. The Housing Will Withstand Exposure to 260°C Peak Temperature For 10 Seconds In A Convection, IR Or Vaper Phase Reflow Oven.
6. This Product (10017963-XXXXXL) Meets the European Union Directive as Described in GS-22-008, Sub Clause 3.1. (2002/95/EC).

7. PART NUMBER DESCRIPTION:
10017963-X050XX

LEAD-FREE PLATING OPTION
BLANK: TIN/LEAD PLATING(SEE NOTE3).
LF: LEAD-FREE PLATING(SEE NOTE4).

PACKAGING
BLANK: PVC TRAY.
T: TAPE & REEL.

CONTACT AREA PLATING:
D: 15u" GOLD.
E: 30u" GOLD.



P.C.B Layout

Tous droits strictement reserves. Reproduction ou communication a des tiers interdite sous quelque forme que ce soit sans autorisation écrite du propriétaire. Propriete de c FCI. Droits de reproduction FCI.



All rights strictly reserved. Reproduction or issue to third parties in any form whatever is not permitted without written authority from the proprietor. Property of FCI. Copyright FCI.

mat'l. code		tolerances unless otherwise specified		CUSTOMER COPY		FCI		www.fciconnect.com	
ltr	ecn no	dr	date	linear	.X ± 0.30	projection	title		
H					.XX ± 0.20		CF CARD HEADER		
				angles	.XXX ± 0.10		TYPE 1		
				dr	JASON HSU 01/09/03		product family		code
				enrg	JASON HSU 01/09/03		size		TWN
				chr	STERLING LIN 01/09/03		A4		sheet
				appd	JAMES HSU 01/09/03	scale	10017963		3 of
sheet index	revision sheet								