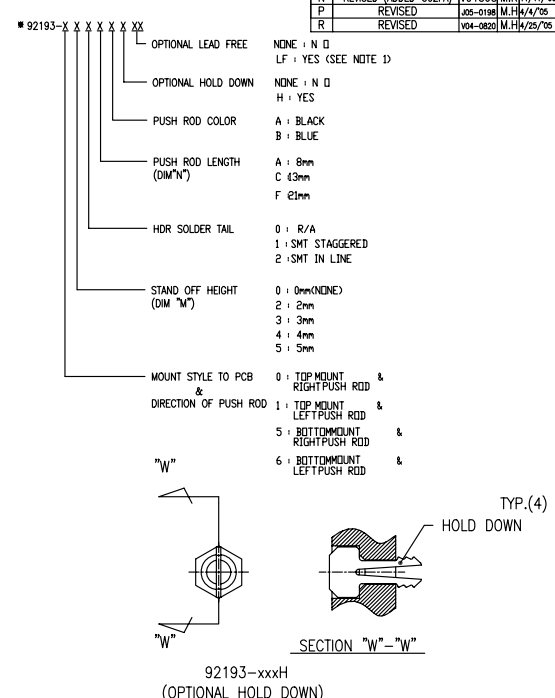
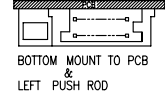
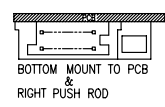
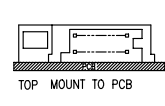
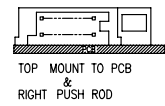


PRODUCT NO.
92193

S		Revision Transfer to Nonlang		J05-0215	M.H	4/25/05	REVISIONS				
T	U	REVISED (ADDED -*****LF)	N05-0127	WB			REV	DESCRIPTION	ECN	BY	DATE
							A	CORRECT WRONG DRAWING			8/23/04
							B	REVISED	130128	M.K	1/21/04
							C	REVISED	V40163	M.K	5/26/04
							D	REVISED	V40740	M.K	6/24/04
							E	REVISED	V40840	M.K	7/5/04
							F	REVISED	V40198	M.K	7/19/04
							G	REVISED	V32120	M.K	12/27/04
							H	REVISED	V40349	M.K	1/20/05
							J	REVISED	V50242	M.K	1/18/05
							K	REVISED	V60956	M.K	7/29/06
							L	REVISED (ADDED-050CAH -130CA -130CAH)	U70134	K.S	8/8/07
							M	REVISED	N90076	M.K	7/22/09
							N	REVISED (ADDED-502FA)	V19159	M.H	1/11/09
							P	REVISED	05-0198	M.H	4/7/05
							R	REVISED	04-0820	M.H	4/25/05

PRODUCT NO.	STAND	DIM "N"	PUSH ROD	HDR	HOLD DOWN	MECH ASSY	HDR ASSY	DIM "P"	HDR	SHEET	MOUNT STYLE TO PCB
92193-XXXXX	OFF(mm)	(mm)	COLOR	SOLDER TAIL		92192-XXXXX	92140-XXXX	(mm)	COLOR	NO.	& DIRECTION OF PUSH ROD
Δ	000AALF	0	8	BLACK	R/A	NONE	00AA	000LF	2.8		
Δ	000CALF	0	13	BLACK	R/A	NONE	00CA	000LF	2.8		
Δ	000CAHLF	0	13	BLACK	R/A	YES	00CAH	000HLF	2.8		
Δ	000CBLF	0	13	BLUE	R/A	NONE	00CB	000LF	2.8		
Δ	000CBHLF	0	13	BLUE	R/A	YES	00CBH	000HLF	2.8		
Δ	000FALF	0	21	BLACK	R/A	YES	00FA	000LF	2.8		
Δ	001AA	0	8	BLACK	SMT STAGGERED	NONE	00AA	001	-#	BLACK	NO.2
Δ	001AAH	0	8	BLACK	SMT STAGGERED	YES	00AAH	001H	-#		
Δ	001CA	0	13	BLACK	SMT STAGGERED	NONE	00CA	001	-#		
Δ	001CAH	0	13	BLACK	SMT STAGGERED	YES	00CAH	001H	-#		
Δ	001FA	0	21	BLACK	SMT STAGGERED	NONE	00FA	001	-#		
Δ	001FAH	0	21	BLACK	SMT STAGGERED	YES	00FAH	001H	-#		
Δ	002CA	0	13	BLACK	SMT IN LINE	NONE	00CA	002	-#		
Δ	002CAH	0	13	BLACK	SMT IN LINE	YES	00CAH	002H	-#		
Δ	020CALF	2	13	BLACK	R/A	NONE	02CA	040LF	2.5	BLACK	NO.3
Δ	040CALF	4	13	BLACK	R/A	NONE	04CA	010LF	2.8		
Δ	050CALF	5	13	BLACK	R/A	NONE	05CA	020LF	2.8		
Δ	050CAHLF	5	13	BLACK	R/A	YES	05CAH	020HLF	2.8		
Δ	100CALF	0	13	BLACK	R/A	NONE	10CA	000LF	2.8		
Δ	100CAHLF	0	13	BLACK	R/A	YES	10CAH	000HLF	2.8		
Δ	101CA	0	13	BLACK	SMT STAGGERED	NONE	10CA	001	-#	BLACK	NO.4
Δ	101CAH	0	13	BLACK	SMT STAGGERED	YES	10CAH	001H	-#		
Δ	101FA	0	21	BLACK	SMT STAGGERED	NONE	10FA	001	-#		
Δ	101FAH	0	21	BLACK	SMT STAGGERED	YES	10FAH	001H	-#		
Δ	102CA	0	13	BLACK	SMT IN LINE	NONE	10CA	002	-#		
Δ	102CAH	0	13	BLACK	SMT IN LINE	YES	10CAH	002H	-#		
Δ	120CALF	2	13	BLACK	R/A	NONE	12CA	040LF	2.5	BLACK	NO.5
Δ	120CAHLF	2	13	BLACK	R/A	YES	12CAH	040HLF	2.5		
Δ	120FALF	2	21	BLACK	R/A	NONE	12FA	040LF	2.5		
Δ	130CALF	3	13	BLACK	R/A	NONE	13CA	050LF	2.8		
Δ	140CALF	3	13	BLACK	R/A	YES	13CAH	050HLF	2.8		
Δ	150CALF	4	13	BLACK	R/A	NONE	14CA	010LF	2.8		
Δ	150CAHLF	4	13	BLACK	R/A	NONE	15CA	020LF	2.8		
Δ	500CALF	0	13	BLACK	R/A	NONE	10CA	500LF	2.8		
Δ	500CAHLF	0	13	BLACK	R/A	YES	10CAH	500HLF	2.8		
Δ	500FALF	0	21	BLACK	R/A	NONE	10FA	500LF	2.8		
Δ	501CA	0	13	BLACK	SMT STAGGERED	NONE	10CA	501	-#	NATURAL	NO.6
Δ	501CAH	0	13	BLACK	SMT STAGGERED	YES	10CAH	501H	-#		
Δ	502CA	0	13	BLACK	SMT IN LINE	NONE	10CA	502	-#		
Δ	502CAH	0	13	BLACK	SMT IN LINE	YES	10CAH	502H	-#		
Δ	502FA	0	21	BLACK	SMT IN LINE	NONE	10FA	502	-#		
Δ	520CALF	2	13	BLACK	R/A	NONE	12CA	540LF	2.5	NATURAL	NO.7
Δ	540CALF	4	13	BLACK	R/A	NONE	14CA	510LF	2.8		
Δ	550CALF	5	13	BLACK	R/A	NONE	15CA	520LF	2.8		
Δ	600CALF	0	13	BLACK	R/A	NONE	00CA	500LF	2.8		
Δ	600CAHLF	0	13	BLACK	R/A	YES	00CAH	500HLF	2.8		
Δ	601CA	0	13	BLACK	SMT STAGGERED	NONE	00CA	501	-#	NATURAL	NO.8
Δ	601CAH	0	13	BLACK	SMT STAGGERED	YES	00CAH	501H	-#		
Δ	602CA	0	13	BLACK	SMT IN LINE	NONE	00CA	502	-#		
Δ	602CAH	0	13	BLACK	SMT IN LINE	YES	00CAH	502H	-#		
Δ	620CALF	2	13	BLACK	R/A	NONE	02CA	540LF	2.5	NATURAL	NO.9
Δ	640CALF	4	13	BLACK	R/A	NONE	04CA	510LF	2.8		
Δ	650CALF	5	13	BLACK	R/A	NONE	05CA	520LF	2.8		



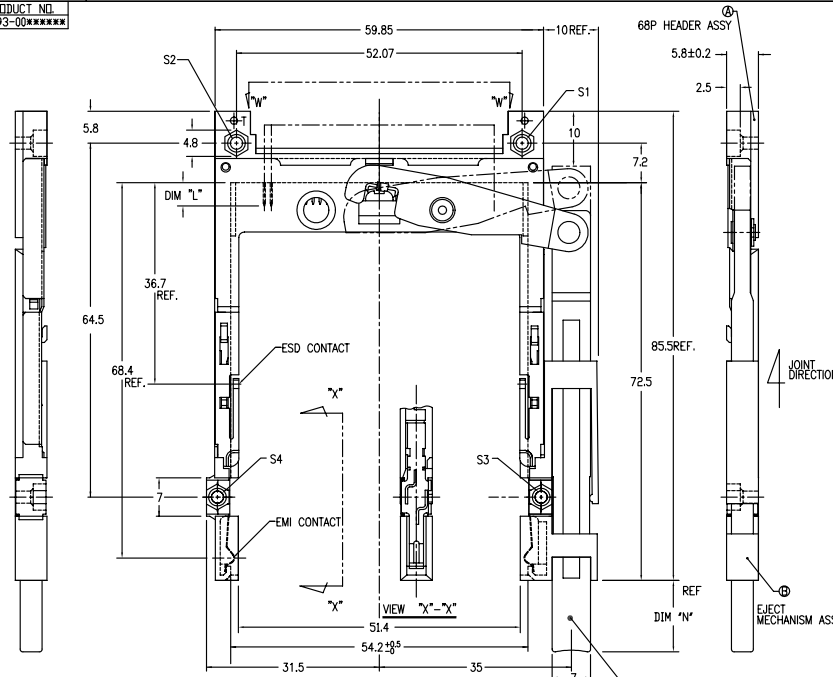
- OPTIONAL LEAD FREE
 - OPTIONAL HOLD DOWN
 - PUSH ROD COLOR
 - PUSH ROD LENGTH (DIM "N")
 - HDR SOLDER TAIL
 - STAND OFF HEIGHT (DIM "W")
 - MOUNT STYLE TO PCB & DIRECTION OF PUSH ROD
- NONE : N D
LF : YES (SEE NOTE 1)
NONE : N D
H : YES
A : BLACK
B : BLUE
A : 8mm
C : 43mm
F : 21mm
0 : R/A
1 : SMT STAGGERED
2 : SMT IN LINE
0 : TOP MOUNT & RIGHT PUSH ROD
1 : TOP MOUNT LEFT PUSH ROD
5 : BOTTOM MOUNT RIGHT PUSH ROD
6 : BOTTOM MOUNT LEFT PUSH ROD

NOTE
1. THIS PRODUCT MEETS EUROPEAN UNION DIRECTIVES AND OTHER COUNTRY REGULATIONS AS DESCRIBED IN GS-22-008.

SHEET INDEX	ISSUE	DATE		CUSTOMER COPY		TITLE	
SH NO.	NO.						
TOLERANCES UNLESS OTHERWISE SPECIFIED	MAY	BY Hasegawa		DATE		68P EJECTOR HEADER ASSY FOR TYPE I/II/III (FOR 5.0V)	
LINEAR	FINISH	BY Hasegawa		DATE		PRODUCT FAMILY Header PCMCIA CODE 1P	
ANGLES	APPD	BY Hasegawa		DATE		SCALE SIZE DWG. NO. 92193 REV SHEET 2 OF 2	

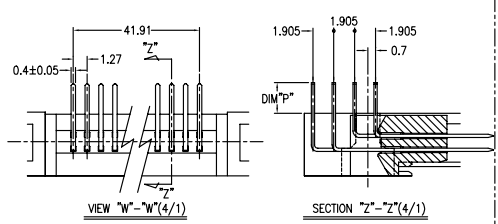
DO NOT SCALE PRINT THIS INFORMATION IS CONFIDENTIAL AND IS DISCLOSED TO YOU ON CONDITION THAT NO FURTHER DISCLOSURE IS MADE BY YOU TO OTHER THAN FCJ PERSONNEL WITHOUT WRITTEN AUTHORIZATION FROM FCJ JAPAN K.K.

PRODUCT NO.
92193-00*****

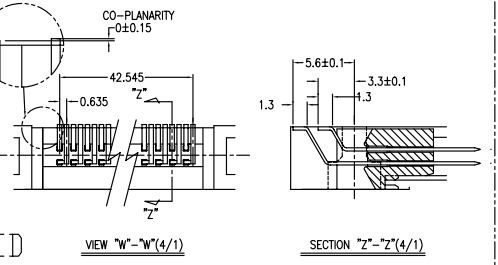


REVISIONS			
REV	DESCRIPTION	ECN	BY DATE
L	REVISED	J05-0198	M.H. 4/4/95
M	REVISED	104-0820	M.H. 4/25/95
T	REVISED (ADDED -*****LF)	105-0127	RB 1/25/98/95
U	REVISED		
V	REVISED		
G	REVISED	J40198	M.K. 1/29/94
H	REVISED	J40349	M.K. 1/9/95
J	REVISED	J50242	M.K. 1/18/95
K	REVISED	J70134	K.S. 8/8/97

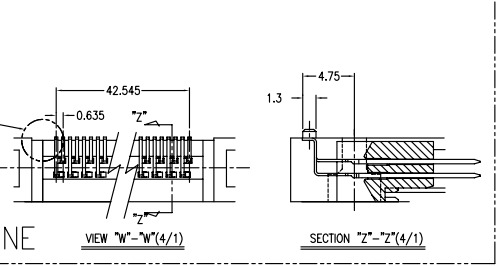
PRODUCT NO.	REVISION
92193-000AA/000AALF	△
92193-000CA/000CALF	△
92193-000CB/000CBLF	△
92193-000CH/000CHLF	△
92193-000FA/000FALF	△



PRODUCT NO.	REVISION
92193-001AA	
92193-001AAH	
92193-001CA	
92193-001CAH	
92193-001FA	
92193-001FAH	



PRODUCT NO.	REVISION
92193-002CA	
92193-002CAH	



- NOTE
- EJECT FORCE 3.5Kg MAX.
 - ASSY PROCESS
 - TO MOUNT PART (A) ON PWB WITH SCREW (S1,S2) AND SOLDER.
 - TO JOINT PART (B) INTO PART (A), THEN FIX PART (B) WITH 2 SCREWS (S3,S4).
 - EJECT TRAVEL 8.0mm
- (A) MATERIAL
- PART (A) (HEADER ASSY)
 - HOUSING : LCP UL94V-0
 - PIN : PHOSPHOR BRONZE
 - PART (B) (EJECT MECHANISM ASSY)
 - GUIDE : POLYPHTHARAMID UL94V-0 BLACK
 - PUSH ROD : FLAME RETARDANT UL94V-0
 - PLATE : STAINLESS
 - EMI CONTACT : PHOSPHOR BRONZE
 - OPTIONAL HOLD-DOWN : BRASS
- (B) FINISH
- 5.1 PIN
- 5.2 EMI CONTACT
- UNDER PLATING : 2.0µm MIN. Ni
CONTACT AREA : 0.5µm MIN. Au OVER 0.5µm MIN. Pd-Ni
SOLDER TAIL : 2.5µm MIN. Sn-Pb OR 2.5µm MIN. PURE Sn.(FOR -*****LF)
- 5.3 OPTIONAL HOLD-DOWN : 2.5µm MIN. PURE Sn.
6. PIN NO.
- | PIN NO. | DIM "L" | DIM "N" |
|---------|----------|------------|
| 1-35 | 4.25±0.1 | 3.5±0.1 |
| 36-68 | 36.67 | 17.24 |
| | | 32.41±0.08 |
- SEE TA-946 FOR PCB LAYOUT.
 - SEE 92140 FOR DETAILED HDR DIMENSION.
 - SEE SHEET 1,2 REGARDING COMPONENTS.
 - GENERAL TOLERANCE : ±0.3

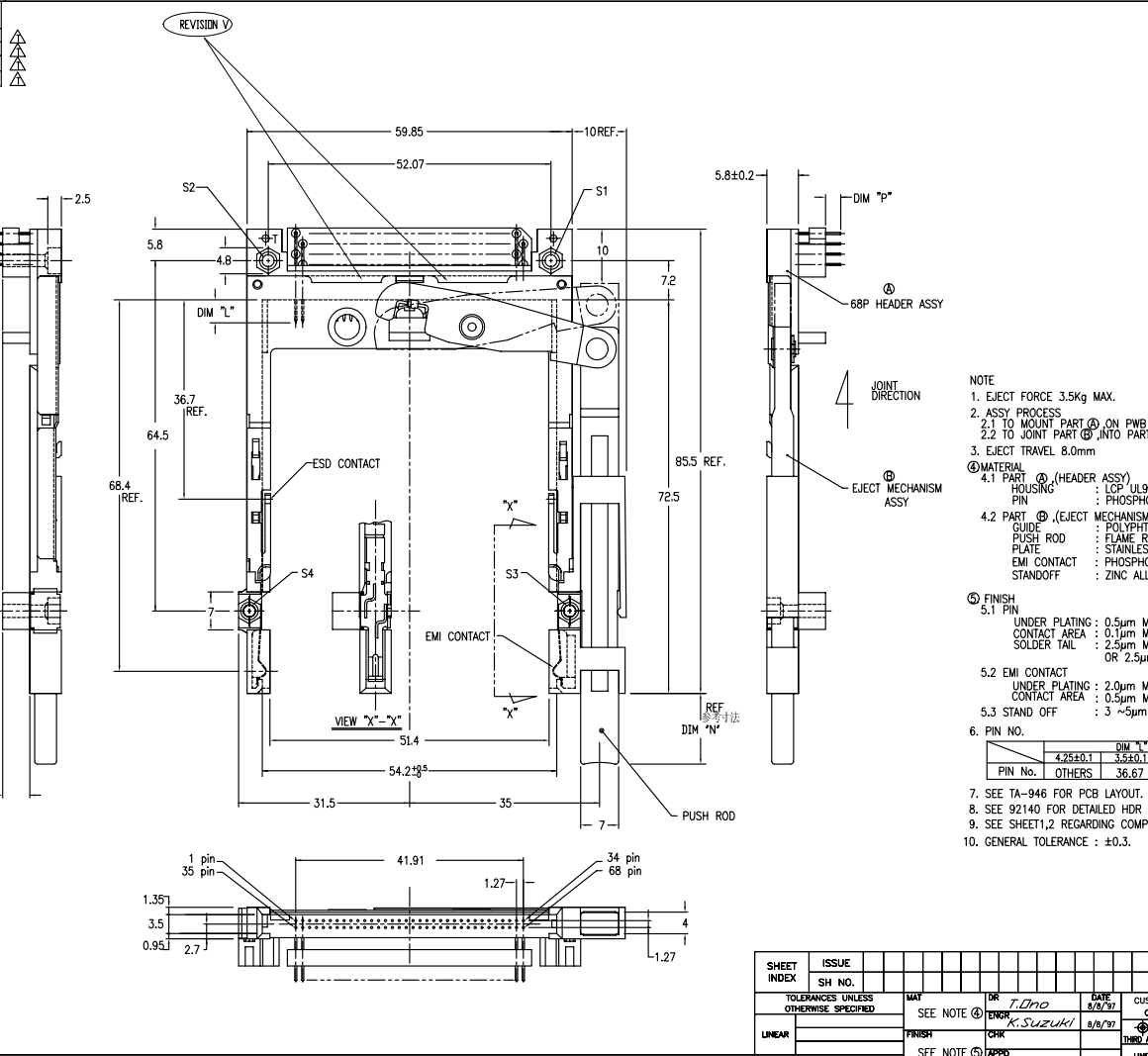
SHEET INDEX	ISSUE SH. NO.	DATE	CUSTOMER COPY	TITLE	PRODUCT FAMILY	SCALE	SIZE	DWG. NO.	REV SHEET
		1/25/05		68P EJECTOR HEADER ASSY FOR TYPE I/II/III (FOR 5.0V)	Header PCMCIA	2/1	C	92193	3 OF



DO NOT SCALE PRINT THIS INFORMATION IS CONFIDENTIAL AND IS DISCLOSED TO YOU ON CONDITION THAT NO FURTHER DISCLOSURE IS MADE BY YOU TO OTHER THAN FCJ PERSONNEL WITHOUT WRITTEN AUTHORIZATION FROM FCJ JAPAN K.K.

PDM: Rev:V STATUS Released Printed: Oct 12, 2010

PRODUCT NO.
92193-020CA/020CALF
92193-040CA/040CALF
92193-050CA/050CALF
92193-050CAH/050CAHLF



REVISIONS				
REV	DESCRIPTION	ECN	BY	DATE
A	RELEASED	J30022	N.T	0/19/93
B	REVISED	J40163	M.K	5/25/94
C	REVISED	V40840	M.K	7/ 5/94
D	REVISED	V32120	M.K	12/21/94
E	REVISED	J40349	M.K	1/19/95
F	REVISED	J50242	M.K	1/18/95
G	REVISED (ADDED-050CAH)	J70134	K.S	1/18/97
T	REVISED (ADDED-*****LF)	M5-0127	W6	1/25/18/95
U				
V				

- NOTE
- EJECT FORCE 3.5Kg MAX.
 - ASSY PROCESS
2.1 TO MOUNT PART ② ON PWB WITH SCREW (S1,S2) AND SOLDER
2.2 TO JOINT PART ③ INTO PART ② THEN FIX PART ② WITH 2 SCREWS (S3,S4).
 - EJECT TRAVEL 8.0mm
 - MATERIAL
④ PART ② (HEADER ASSY)
HOUSING : LCP UL94V-0
PIN : PHOSPHOR BRONZE
④ PART ③ (EJECT MECHANISM ASSY)
GUIDE : POLYPHTHALAMID UL94V-0 BLACK
PUSH ROD : FLAME RETARDANT UL94V-0
PLATE : STAINLESS
EMI CONTACT : PHOSPHOR BRONZE
STANDOFF : ZINC ALLOYS DIE CASTING
 - FINISH
5.1 PIN
UNDER PLATING : 0.5µm MIN. Ni
CONTACT AREA : 0.1µm MIN. Au OVER 0.5µm MIN. Pd-Ni
SOLDER TAIL : 2.5µm MIN. Sn-Pb
OR 2.5µm MIN. PURE Sn.(FOR -*****LF)
5.2 EMI CONTACT
UNDER PLATING : 2.0µm MIN. Ni
CONTACT AREA : 0.5µm MIN. Au
5.3 STAND OFF : 3 ~5µm Ni, OVER 5 ~10µm Cu.
 - PIN NO.
- | | | DIM L* | |
|---------|--------|----------|-----------|
| PIN No. | OTHERS | 3,5±0.1 | 5,0±0.1 |
| 1 | 35 | 4.25±0.1 | 3.5±0.1 |
| 34 | 68 | 36.67 | 35.51±0.8 |
- SEE TA-946 FOR PCB LAYOUT.
 - SEE 92140 FOR DETAILED HDR DIMENSION.
 - SEE SHEET1,2 REGARDING COMPONENTS.
 - GENERAL TOLERANCE : ±0.3.

DF-003A REV C

DO NOT SCALE PRINT THIS INFORMATION IS CONFIDENTIAL AND IS DISCLOSED TO YOU ON CONDITION THAT NO FURTHER DISCLOSURE IS MADE BY YOU TO OTHER THAN BENG PERSONNEL WITHOUT WRITTEN AUTHORIZATION FROM BENG ELECTRONICS JAPAN K.K.

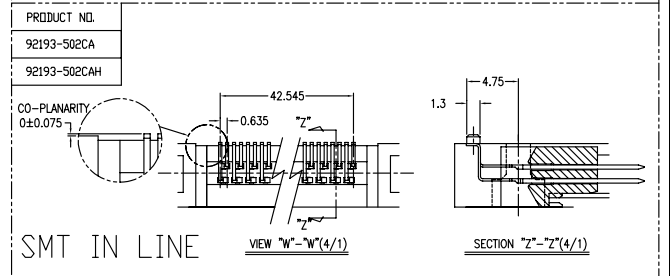
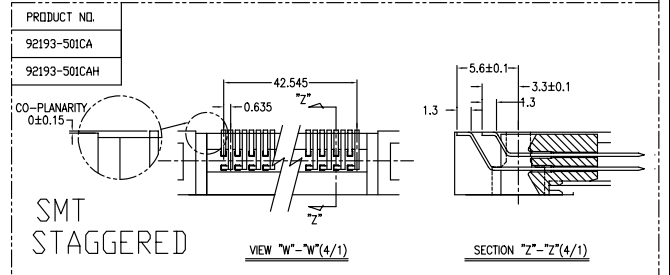
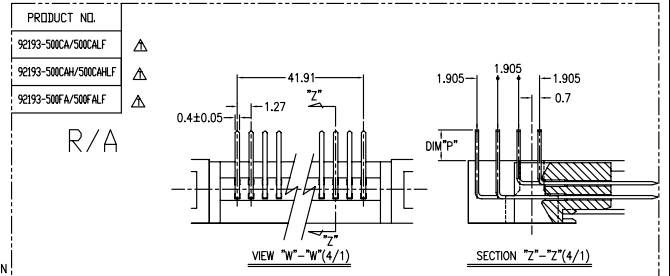
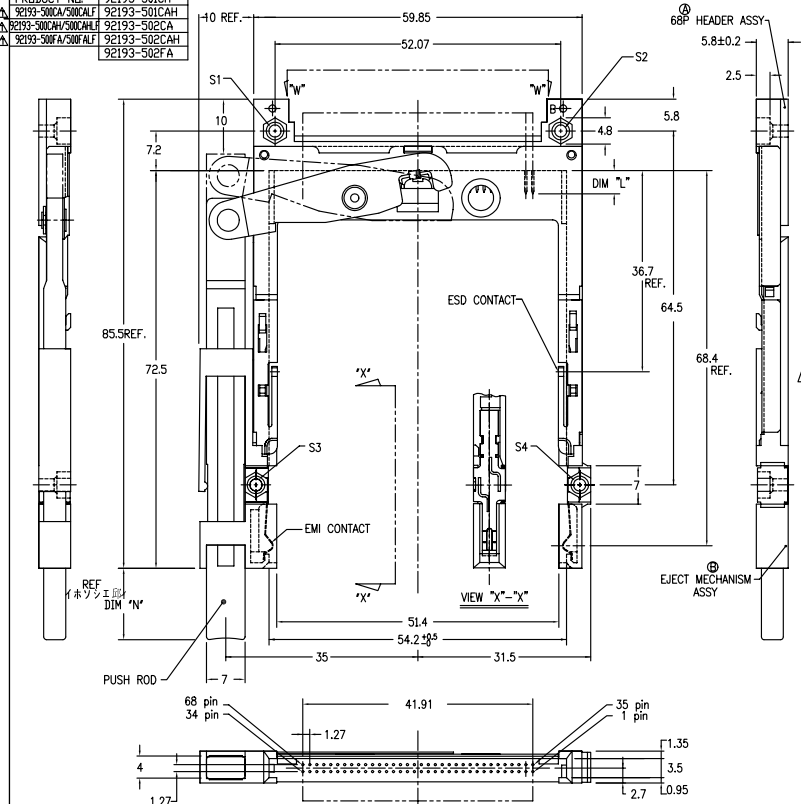
SHEET INDEX	ISSUE	DATE	CUSTOMER	TITLE
	SH NO.			68P EJECTOR HEADER ASSY
TOLERANCES UNLESS OTHERWISE SPECIFIED	MAT	DR	DATE	COPY
SEE NOTE ④	ENGR	T.DMO	8/8/97	
LINEAR	FINISH	CHK	8/8/97	THRO ANGLE PRO
SEE NOTE ④	APPD			SCALE SIZE DWG. NO. REV SHEET
UNIT				2/1 C 92193 V 4 of



PDM: Rev:V STATUS Released Printed: Oct 12, 2010

PRODUCT NO.	92193-501CA
△ 92193-500CA/500CALF	92193-501CAH
△ 92193-500CAH/500CAHLF	92193-502CA
△ 92193-500FA/500FALF	92193-502CAH
	92193-502FA

REVISIONS			
REV	DESCRIPTION	ECN	BY DATE
J	REVISED	V81985	M.K. 11/11/99
H	REVISED	V80956	M.K. 12/2/94
G	REVISED	V40349	M.K. 1/9/95
F	REVISED	J50242	M.K. 1/18/95
E	REVISED	V32120	M.K. 12/27/94
D	REVISED	V46940	M.K. 12/2/94
C	REVISED	V81985	M.K. 11/11/99
B	REVISED (ADDED -*****LF)	N65-012	HB 1/25/18/95
A	REVISED		
K	REVISED		



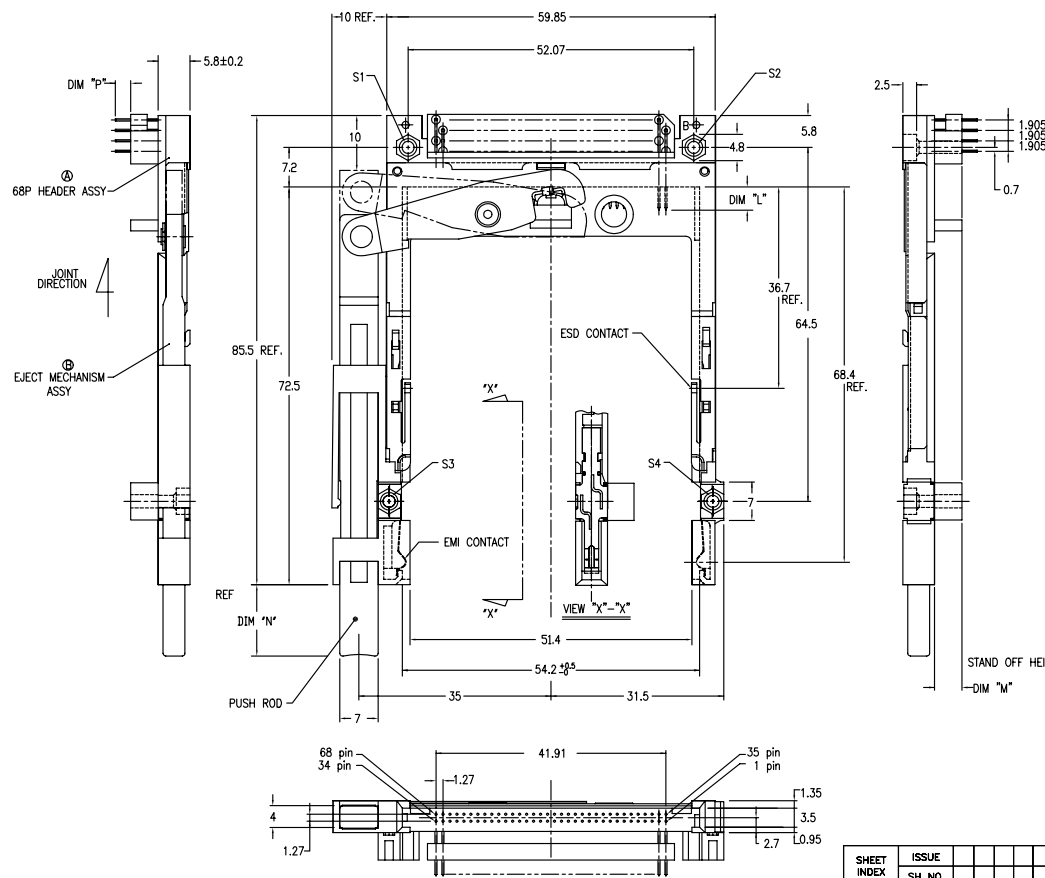
- NOTE
- EJECT FORCE 3.5kg MAX.
 - ASSY PROCESS
 - TO MOUNT PART ④ ON PWB WITH SCREW (S1,S2) AND SOLDER.
 - TO JOINT PART ④ INTO PART ④, THEN FIX PART ④ WITH 2 SCREWS (S3,S4).
 - EJECT TRAVEL 8.0mm
- ④ MATERIAL
- PART ④ (HEADER ASSY)
 - HOUSING : LCP UL94V-0
 - PIN : PHOSPHOR BRONZE
 - PART ④ (EJECT MECHANISM ASSY)
 - GUIDE : POLYPHTHALAMID UL94V-0 BLACK
 - PUSH ROD : FLAME RETARDANT UL94V-0
 - PLATE : STAINLESS
 - EMI CONTACT : PHOSPHOR BRONZE
 - OPTIONAL HOLD-DOWN : BRASS
- ⑤ FINISH
- 5.1 PIN
 - UNDER PLATING : 0.5µm MIN. Ni
 - CONTACT AREA : 0.1µm MIN. Au OVER 0.5µm MIN. Pd-Ni
 - SOLDER TAIL : 2.5µm MIN. Sn-Pb OR 2.5µm MIN. PURE Sn (FOR -*****LF)
 - 5.2 EMI CONTACT
 - UNDER PLATING : 2.0µm MIN. Ni
 - CONTACT AREA : 0.5µm MIN. Au
 - 5.3 OPTIONAL HOLD-DOWN : 2.5µm MIN. PURE Sn
6. PIN NO.
- | | DIM "L" | |
|----------|---------|-----------|
| PIN NO. | OTHERS | 36.67 |
| 4,25±0.1 | 3.5±0.1 | 5.0±0.1 |
| | | 11.7±0.1 |
| | | 35.5±0.08 |
- SEE TA-946 FOR PCB LAYOUT.
 - SEE 92140 FOR DETAILED HDR DIMENSION.
 - SEE SHEET 2 REGARDING COMPONENTS.
 - GENERAL TOLERANCE : ±0.3.

SHEET INDEX	ISSUE	DATE	CUSTOMER	TITLE
	SH NO.	11/11/99		68P EJECTOR HEADER ASSY FOR TYPE I/II/III (FOR 5.0V)
TOLERANCES UNLESS OTHERWISE SPECIFIED	MAT	DR	CHK	APPD
	SEE NOTE ④	T. Uno	M. K. Iwata	
LINEAR	FINISH	CHK	APPD	
	SEE NOTE ⑤			



PRODUCT NO.	
92193-520CA/520CALF	△
92193-540CA/540CALF	△
92193-550CA/550CALF	△

REVISIONS				
REV	DESCRIPTION	ECN	BY	DATE
A	RELEASED	J30022	N.T	01/19/93
B	REVISED	J30128	M.N	02/27/93
C	REVISED	J40163	M.K	5/26/94
D	REVISED	V40840	M.K	7/ 5/94
E	REVISED	V32120	M.K	12/27/94
F	REVISED	J40349	M.K	1/9/94
G	REVISED	J50242	M.K	8/18/95
T	REVISED (ADDED -*****L)	N65-0127	W6	3/25/18/95
U				
V				



NOTE

- EJECT FORCE 3.5Kg MAX.
- ASSY PROCESS
 - TO MOUNT PART ① ON PWB WITH SCREW (S1,S2) AND SOLDER.
 - TO JOINT PART ② INTO PART ③, THEN FIX PART ④ WITH 2 SCREWS (S3,S4)
- EJECT TRAVEL 8.0mm
- MATERIAL
 - PART ① (HEADER ASSY)
 - HOUSING : LCP UL94V-0
 - PIN : PHOSPHOR BRONZE
 - PART ② (EJECT MECHANISM ASSY)
 - GUIDE : POLYPHTHARAMID UL94V-0 BLACK
 - PUSH ROD : FLAME RETARDANT UL94V-0
 - PLATE : STAINLESS
 - EMI CONTACT : PHOSPHOR BRONZE
 - STANDOFF : ZINC ALLOYS DIE CASTING
- FINISH
 - PIN
 - UNDER PLATING : 0.5µm MIN. Ni
 - CONTACT AREA : 0.1µm MIN. Au OVER 0.5µm MIN. Pd-Ni
 - SOLDER TAIL : 2.5µm MIN. Sn-Pb OR 2.5µm MIN. PURE Sn.(FOR -*****L)
 - EMI CONTACT
 - UNDER PLATING : 2.0µm MIN. Ni
 - CONTACT AREA : 0.5µm MIN. Au
 - STAND OFF : 3 ~ 5µm Ni OVER 5 ~ 10µm Cu.
- PIN NO.
 - SEE TA-946 FOR PCB LAYOUT.
 - SEE 92140 FOR DETAILED HDR DIMENSION.
 - SEE SHEET 1,2 REGARDING COMPONENTS.
 - GENERAL TOLERANCE : ±0.3.

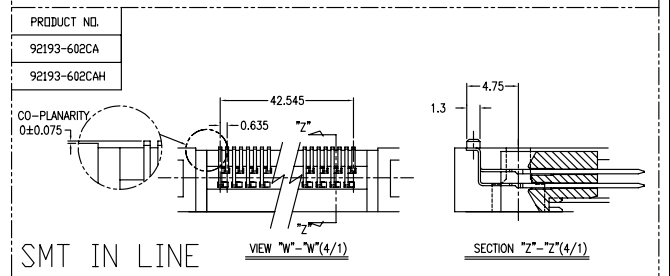
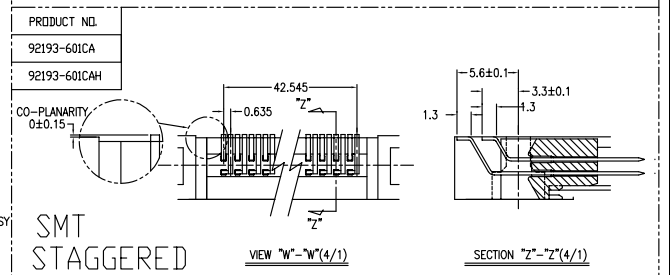
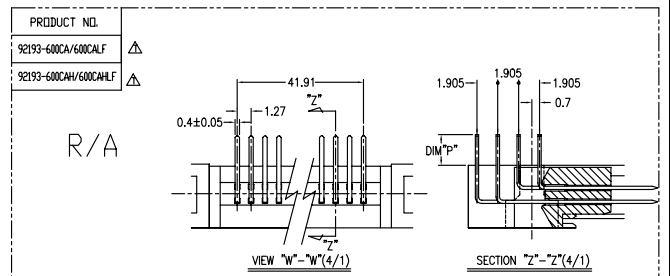
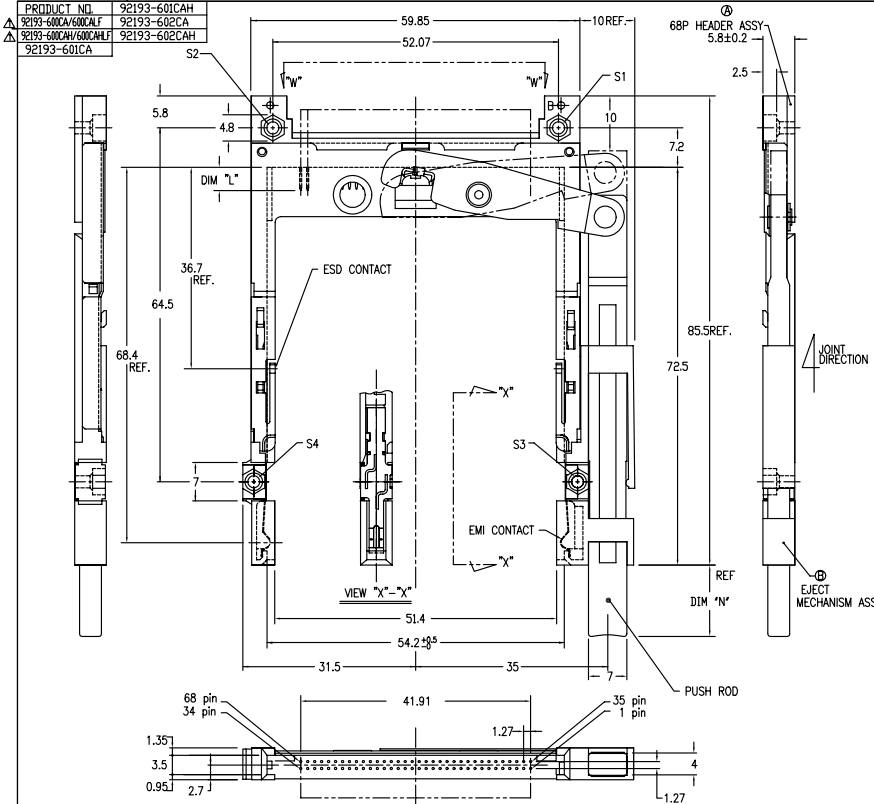
92-003A REV. C
DO NOT SCALE PRINT THIS INFORMATION IS CONFIDENTIAL AND IS DISCLOSED TO YOU ON CONDITION THAT NO FURTHER DISCLOSURE IS MADE BY YOU TO OTHER THAN BENG PERSONNEL WITHOUT WRITTEN AUTHORIZATION FROM BENG ELECTRONICS JAPAN K.K.

SHEET INDEX	ISSUE	DATE	CUSTOMER	TITLE
	SH. NO.			68P EJECTOR HEADER ASSY FOR TYPE I/II/III (FOR 5.0V)
TOLERANCES UNLESS OTHERWISE SPECIFIED	MAT	DR T. Imaeda	DATE 9/19/95	COPY
LINEAR	FINISH	CHK M. K. Iwata	DATE 9/19/95	THRO ANGLE PRO
ANGLES	SEE NOTE ①	APPD	UNIT	SCALE 2/1
				DWG. NO. 92193
				REV SHEET 8 of 8

PDM: Rev:V STATUS Released Printed: Oct 12, 2010

PRODUCT NO.	92193-601CAH
92193-600CA/600CALF	92193-602CA
92193-600WH/600CHLF	92193-602CAH
92193-601CA	

T		REVISED (ADDED -*****LF)		WS-0127	WS	05/18/95
REV	DESCRIPTION	ECN	BY	DATE		
D	REVISED	140340	M.K.I	5/94		
E	REVISED	132120	M.K.I	2/27/94		
F	REVISED	140349	M.K.I	9/95		
G	REVISED	150242	M.K.I	9/95		
H	REVISED	170134	K.S	8/97		



- NOTE
- EJECT FORCE 3.5Kg MAX.
 - ASSY PROCESS
 - TO MOUNT PART ② ON PWB WITH SCREW (S1,S2) AND SOLDER.
 - TO JOINT PART ③ INTO PART ②, THEN FIX PART ④ WITH 2 SCREWS (S3,S4).
 - EJECT TRAVEL 8.0mm
- ④ MATERIAL
- PART ② (HEADER ASSY)
 - HOUSING : LCP UL94V-0
 - PIN : PHOSPHOR BRONZE
 - PART ③ (EJECT MECHANISM ASSY)
 - GUIDE : POLYPHTHARAMID UL94V-0 BLACK
 - PUSH ROD : FLAME RETARDANT UL94V-0
 - PLATE : STAINLESS
 - EMI CONTACT : PHOSPHOR BRONZE
 - OPTIONAL HOLD-DOWN : BRASS

- ⑤ FINISH
- PIN
 - UNDER PLATING : 0.5µm MIN. Ni
 - CONTACT AREA : 0.1µm MIN. Au OVER 0.5µm MIN. Pd-Ni
 - SOLDER TAIL : 2.5µm MIN. Sn-Pb OR 2.5µm MIN. PURE Sn, (FOR -*****LF)
 - EMI CONTACT
 - UNDER PLATING : 2.0µm MIN. Ni
 - CONTACT AREA : 0.5µm MIN. Au
 - OPTIONAL HOLD-DOWN : 2.5µm MIN. PURE Sn
6. PIN NO.
- | | DIM 'L' | | |
|---------|----------|---------|---------|
| PIN NO. | OTHERS | 36,67 | 35,68 |
| | 4.25±0.1 | 3.5±0.1 | 5.0±0.1 |
- SEE TA-946 FOR PCB LAYOUT.
 - SEE 92140 FOR DETAILED HDR DIMENSION.
 - SEE SHEET 1,2 REGARDING COMPONENTS.
 - GENERAL TOLERANCE : ±0.3

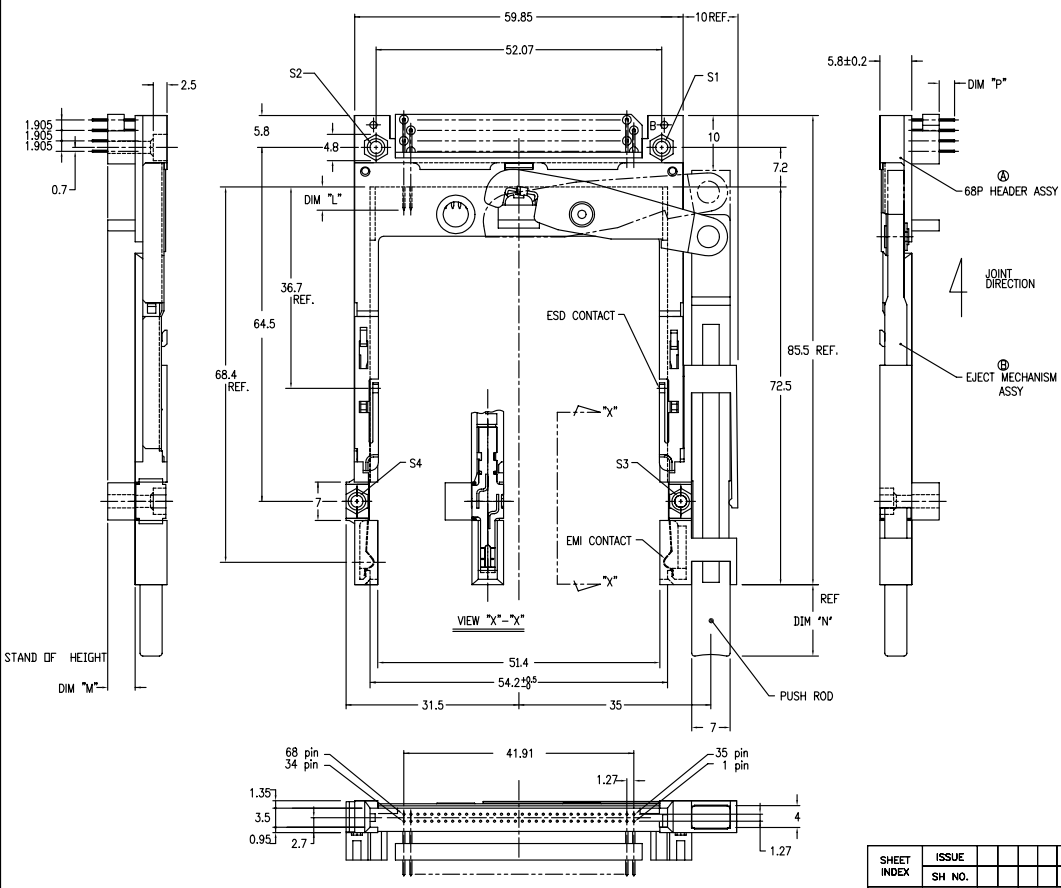
SHEET INDEX	ISSUE	DATE	CUSTOMER	TITLE
	SH NO.			88P EJECTOR HEADER ASSY FOR TYPE 1/1/II (FOR 5.0V)
TOLERANCES UNLESS OTHERWISE SPECIFIED		MAT	DR	DATE
SEE NOTE ①		ENGR	T.DMO	8/8/97
FINISH		CHK	K.SUZUKI	8/8/97
SEE NOTE ②		APPD		
LINEAR				
ANGLES				



DO NOT SCALE PRINT THIS INFORMATION IS CONFIDENTIAL AND IS DISCLOSED TO YOU ON CONDITION THAT NO FURTHER DISCLOSURE IS MADE BY YOU TO OTHER THAN BENG PERSONNEL WITHOUT WRITTEN AUTHORIZATION FROM BENG ELECTRONICS JAPAN K.K.

PRODUCT NO.
 ▲ 92193-620CA/620CALF
 ▲ 92193-640CA/640CALF
 ▲ 92193-650CA/650CALF

REVISIONS				
REV	DESCRIPTION	ECN	BY	DATE
A	RELEASED	J33022	N.T	01/19/93
B	REVISED	J40163	M.K	5/28/94
C	REVISED	V40840	M.K	7/ 5/94
D	REVISED	V32120	M.K	12/21/94
E	REVISED	J40349	M.K	1/16/95
F	REVISED	J50242	M.K	9/18/95
T	REVISED (ADDED -*****LF)	M5-0127	MB	05/18/95
U				
V				



NOTE

- EJECT FORCE 3.5Kg MAX.
- ASSY PROCESS
 2.1 TO MOUNT PART ② ON PWB WITH SCREW (S1,S2) AND SOLDER
 2.2 TO JOINT PART ③ INTO PART ②, THEN FIX PART ② WITH 2 SCREWS (S3,S4).
- EJECT TRAVEL 8.0mm
- MATERIAL
 ④ PART ② (HEADER ASSY)
 HOUSING : LCP UL94V-0
 PIN : PHOSPHOR BRONZE
 ④ PART ③ (EJECT MECHANISM ASSY)
 GUIDE : POLYPHTHARAMID UL94V-0 BLACK
 PUSH ROD : FLAME RETARDANT UL94V-0
 PLATE : STAINLESS
 EMI CONTACT : PHOSPHOR BRONZE
 STANDOFF : ZINC ALLOYS DIE CASTING
- FINISH
 5.1 PIN
 UNDER PLATING : 0.5µm MIN. Ni
 CONTACT AREA : 0.1µm MIN. Au OVER 0.5µm MIN. Pd-Ni
 SOLDER TAIL : 2.5µm MIN. Sn-Pb
 OR 2.5µm MIN. PURE Sn.(FOR -*****LF)
 5.2 EMI CONTACT
 UNDER PLATING : 2.0µm MIN. Ni
 CONTACT AREA : 0.5µm MIN. Au
 5.3 STAND OFF : 3 ~5µm Ni, OVER 5 ~10µm Cu.
- PIN NO.

	DIM 'X'		
	4.25±0.1	3.5±0.1	5.0±0.1
PIN No.	OTHERS	36.67	33.5/36

- SEE TA-946 FOR PCB LAYOUT.
- SEE 92140 FOR DETAILED HDR DIMENSION.
- SEE SHEET 1,2 REGARDING COMPONENTS.
- GENERAL TOLERANCE : ±0.3

DF-003A REV. C
 DO NOT SCALE PRINT THIS INFORMATION IS CONFIDENTIAL AND IS DISCLOSED TO YOU ON CONDITION THAT NO FURTHER DISCLOSURE IS MADE BY YOU TO OTHER THAN BENG PERSONNEL WITHOUT WRITTEN AUTHORIZATION FROM BENG ELECTRONICS JAPAN K.K.

SHEET INDEX	ISSUE	SH NO.	DATE	CUSTOMER	TITLE
					68P EJECTOR HEADER ASSY FOR TYPE 1/L/U (FOR 5.0V)
					SCALE: SIZE DWG. NO. REV SHEET
					2/1 C 92193 V 10 of 10

PDM: Rev:V STATUS Released Printed: Oct 12, 2010