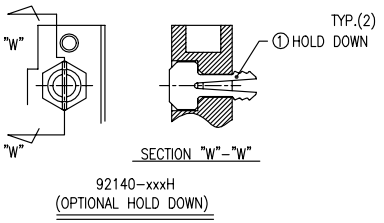
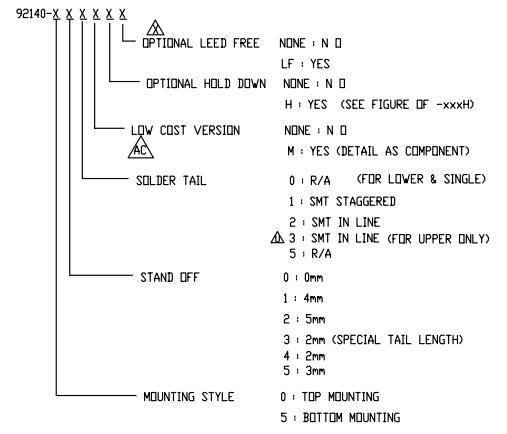


FCI CONFIDENTIAL

FCI
FCIconnect.com

D

PRODUCT NO.	PRODUCT NO. STAND OFF	SOLDER TAIL	DIM "P" (mm)	DIM "Q" (mm)	FOR LOWER DECK OR UPPER DECK	D HOLD DOWN	INDICATOR FOR SOLDER TAIL ALIGNMENT	SHEET NO.	MOUNTING STYLE TO PCB
92140	92140-XXXX	0	2.8	---	---	---	---	NO2	TOP MOUNT [92140-XXXX]
92140	0000	0	R/A	2.8	---	---	---	NO2	
92140	0000F	0	R/A	2.8	---	---	---	NO2	
92140	0000LF	0	R/A	2.8	---	---	---	NO2	
92140	0000H	0	R/A	2.8	---	---	---	NO2	
92140	0000HLF	0	R/A	2.8	---	---	---	NO2	
92140	0001	0	SMT STG	---	---	---	---	NO2	
92140	0001F	0	SMT STG	---	---	---	---	NO2	
92140	0001H	0	SMT STG	---	---	---	---	NO2	
92140	0001HLF	0	SMT STG	---	---	---	---	NO2	
92140	0002	0	SMT IL	---	---	---	---	NO2	
92140	0002F	0	SMT IL	---	---	---	---	NO2	
92140	0002H	0	SMT IL	---	---	---	---	NO2	
92140	0002HLF	0	SMT IL	---	---	---	---	NO2	
92140	010	4	R/A	2.8	---	---	---	NO3	
92140	010F	4	R/A	2.8	---	---	---	NO3	
92140	010H	4	R/A	2.8	---	---	---	NO3	
92140	010HLF	4	R/A	2.8	---	---	---	NO3	
92140	020	5	R/A	2.8	---	---	---	NO3	
92140	020F	5	R/A	2.8	---	---	---	NO3	
92140	020H	5	R/A	2.8	---	---	---	NO3	
92140	020HLF	5	R/A	2.8	---	---	---	NO3	
92140	040	2	R/A	2.5	---	---	---	NO4	
92140	040F	2	R/A	2.5	---	---	---	NO4	
92140	040H	2	R/A	2.5	---	---	---	NO4	
92140	040HLF	2	R/A	2.5	---	---	---	NO4	
92140	050	3	R/A	2.8	---	---	---	NO4	
92140	050F	3	R/A	2.8	---	---	---	NO4	
92140	050H	3	R/A	2.8	---	---	---	NO4	
92140	050HLF	3	R/A	2.8	---	---	---	NO4	
92140	085 FBR 0	R/A	8.6	---	UPPER	---	---	NO4	
92140	085 FBR 1	R/A	8.6	---	UPPER	---	---	NO4	
92140	085 FBR 2	R/A	10.3	---	UPPER	---	---	NO4	
92140	085 FBR 3	R/A	10.3	---	UPPER	---	---	NO4	
92140	500	0	R/A	2.8	---	---	---	NO5	BOTTOM MOUNT [92140-XXXX]
92140	500F	0	R/A	2.8	---	---	---	NO5	
92140	500H	0	R/A	2.8	---	---	---	NO5	
92140	500HLF	0	R/A	2.8	---	---	---	NO5	
92140	501	0	SMT STG	---	---	---	---	NO5	
92140	501F	0	SMT STG	---	---	---	---	NO5	
92140	501H	0	SMT STG	---	---	---	---	NO5	
92140	501HLF	0	SMT STG	---	---	---	---	NO5	
92140	502	0	SMT IL	---	---	---	---	NO5	
92140	502F	0	SMT IL	---	---	---	---	NO5	
92140	502H	0	SMT IL	---	---	---	---	NO5	
92140	502HLF	0	SMT IL	---	---	---	---	NO5	
92140	503	0	SMT IL	---	---	---	---	NO5	
92140	503F	0	SMT IL	---	---	---	---	NO5	
92140	510	4	R/A	2.8	---	---	---	NO6	
92140	510F	4	R/A	2.8	---	---	---	NO6	
92140	510H	4	R/A	2.8	---	---	---	NO6	
92140	510HLF	4	R/A	2.8	---	---	---	NO6	
92140	520	5	R/A	2.8	---	---	---	NO6	
92140	520F	5	R/A	2.8	---	---	---	NO6	
92140	520H	5	R/A	2.8	---	---	---	NO6	
92140	520HLF	5	R/A	2.8	---	---	---	NO6	
92140	530	2	R/A	1.48	---	---	---	NO7	
92140	530F	2	R/A	1.48	---	---	---	NO7	
92140	540	2	R/A	2.5	---	---	---	NO7	
92140	540F	2	R/A	2.5	---	---	---	NO7	
92140	540H	2	R/A	2.5	---	---	---	NO7	
92140	540HLF	2	R/A	2.5	---	---	---	NO7	
92140	545 FBR 0	R/A	8.6	---	UPPER	---	---	NO7	
92140	545 FBR 1	R/A	8.6	---	UPPER	---	---	NO7	
92140	545 FBR 2	R/A	10.3	---	UPPER	---	---	NO7	
92140	545 FBR 3	R/A	10.3	---	UPPER	---	---	NO7	



NOTE
1. THIS PRODUCT MEETS EUROPEAN UNION DIRECTIVES AND OTHER COUNTRY REGULATIONS AS DESCRIBED IN GS-22-008.

mat'l code	surface	tolerance	projection	product family
	ISO 1302	ISO 406	ISO 1101	PCMCIA
tr ecn no dr	date	tolerances unless otherwise specified	title	
AD N06-0288 M.Z	11/22/06	angles linear	68 POS EJECTOR HEADER ASSY FOR 5.0V APPLICATION	
AE N07-0026 D.T	1/29/07	±2		
AF N07-0114 C.M	06/14/07	scale		
AG N07-0209 M.Z	11/14/06	dir Mike Zhou	11/21/06	
AH N09-0219 M.Z	11/14/08	engr Mike Zhou	11/21/06	
AJ N09-0345 SH	05/28/09	chr David Qin	11/21/06	
		app Jack Wang	11/21/06	
sheet index	revision	AJ	AJ	AJ
	sheet	1	2	3

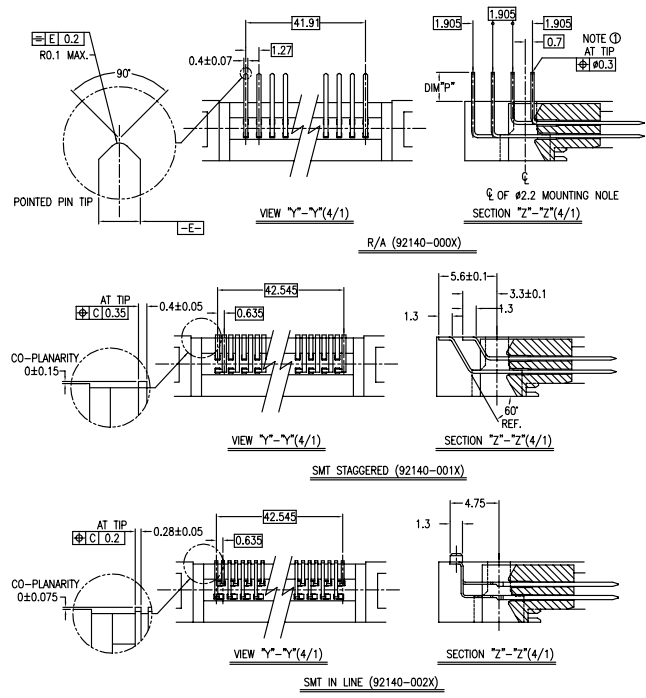
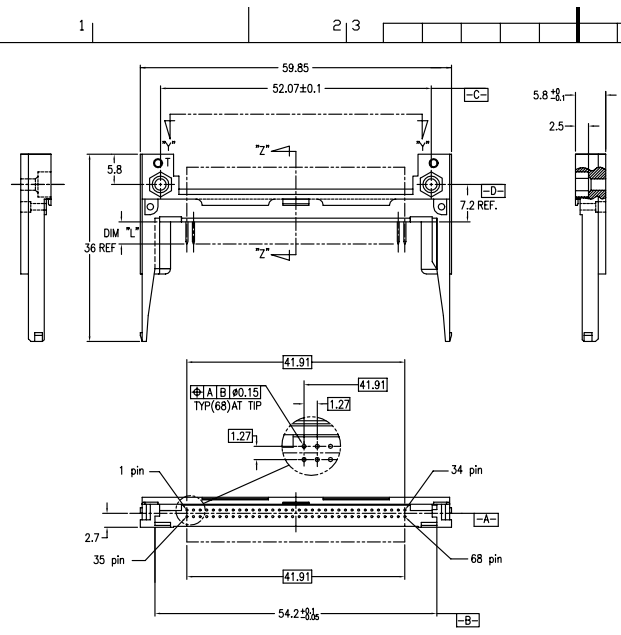
PDM: Rev:AJ STATUS Released Printed: Oct 12, 2010

FCI CONFIDENTIAL

FCI

This document is the property of and embodies CONFIDENTIAL and PROPRIETARY information of FCI. No part of the information shown on this document may be used in any way or disclosed to others without the written consent of FCI. Copyright © FCI.

PRODUCT NO.
92140-000M
92140-000MLF
92140-000H
92140-000HLF
92140-001
92140-001LF
92140-001H
92140-001HLF
92140-002
92140-002LF
92140-002H
92140-002HLF



- NOTES
- TRUE POSITION IS A FREE GRID TO PIN PATTERN ITSELF.
 - SEE TA-946 FOR PCB LAYOUT.
 - MATERIAL: HOUSING : LCP UL94V-0 BLACK(SPECIAL VERSION MATERIAL: PA46). PIN : PHOSPHOR BRONZE(SPECIAL VERSION MATERIAL:BRASS). HOLD-DOWN : BRASS.
 - FINISH: PIN UNDER PLATING : 0.5µm MIN. Ni. CONTACT AREA : 0.1µm MIN. Au. OVER 0.5µm MIN. Pb-Ni. NOTE:SPECIAL VERSION-ONLY 0.25µm Au. SOLDER AREA : 2.5µm MIN. Sn-Pb. OR 2.5µm MIN. PURE Sn.(FOR -XXXLF) HOLD-DOWN : 2.5µm MIN. PURE Sn.
 - RECOMMENDED PCB HOLE (OPTIONAL HOLD-DOWN) : 2.3±0.1
 - SEQUENCE PIN ASSIGNMENT

DIM	
4.25±0.1	3.5±0.1
5.0±0.1	3.0±0.1
OTHERS	36.67

- GENERAL TOLERANCE : ±0.3
- SEE SHEET 1 REGARDING COMPONENTS.

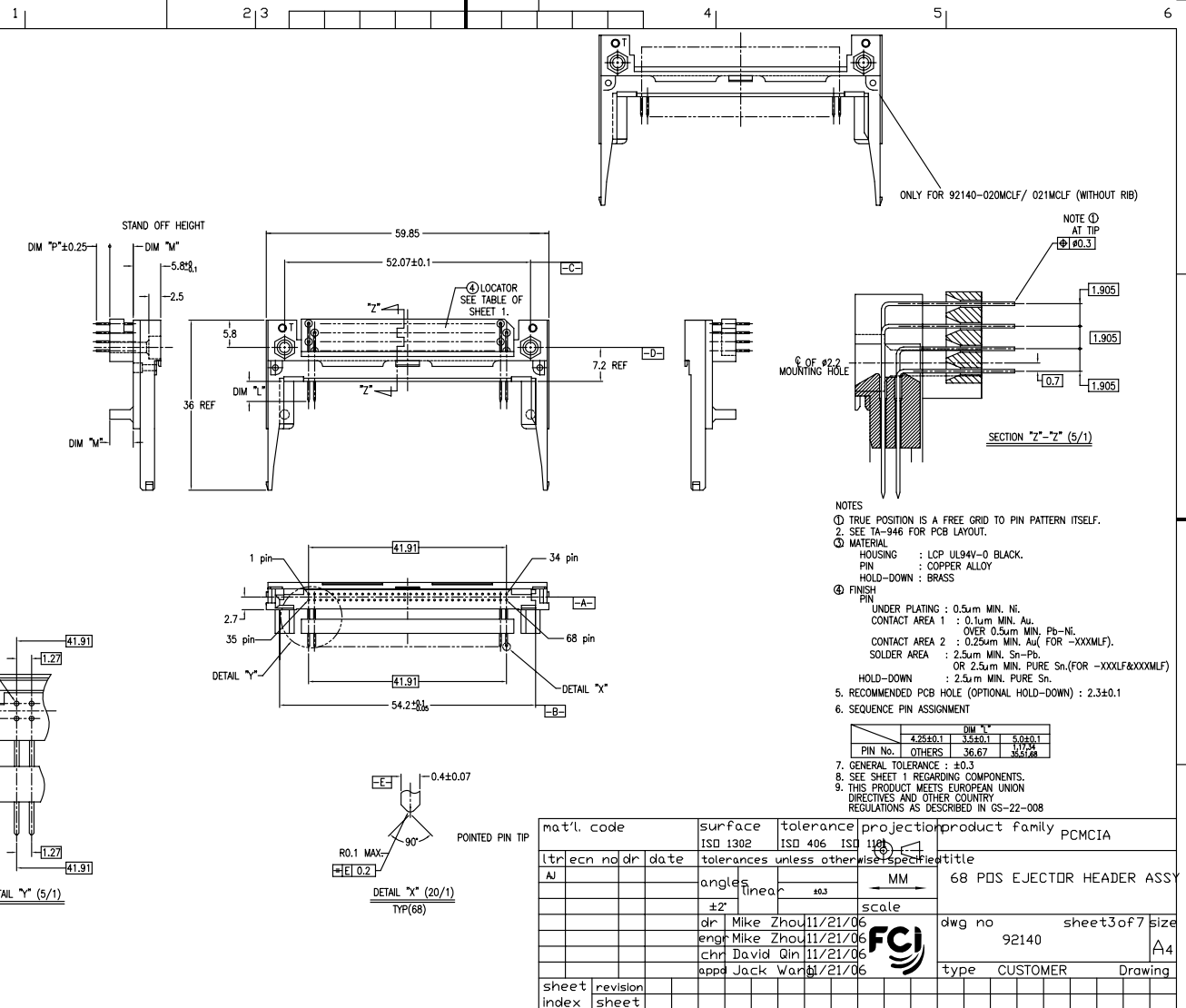
mat'l. code	surface	tolerance	projection	product family
l	ISO 1302	ISO 406	ISO 1101	PCMCIA
tr	angles	linear	MM	68 PDS EJECTOR HEADER ASSY
ec	±2'	±0.3	scale	
n	dr Mike Zhou	11/21/06		dwg no
d	eng Mike Zhou	11/21/06		92140
r	chr David Qin	11/21/06		sheet 2 of 7
e	app Jack Wang	11/21/06		size
				A4
				type CUSTOMER
				Drawing
sheet	revision			
index	sheet			

FCI CONFIDENTIAL

FCI

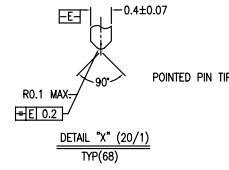
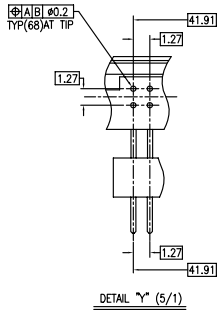
This document is the property of and embodies CONFIDENTIAL and PROPRIETARY information of FCI. No part of the information shown on this document may be used in any way or disclosed to others without the written consent of FCI. Copyright © FCI.

PRODUCT NO.	PRODUCT NO.
92140-010	92140-010LF
92140-010H	92140-010HLF
92140-020	92140-020LF
92140-020H	92140-020HLF
92140-040	92140-040LF
92140-050	92140-050LF
92140-050H	92140-050HLF
92140-020MLF	92140-040HLF
92140-021MLF	



- NOTES
- TRUE POSITION IS A FREE GRID TO PIN PATTERN ITSELF.
 - SEE TA-946 FOR PCB LAYOUT.
 - MATERIAL
HOUSING : LCP UL94V-0 BLACK.
PIN : COPPER ALLOY
HOLD-DOWN : BRASS
 - FINISH
PIN
UNDER PLATING : 0.5um MIN. Ni.
CONTACT AREA 1 : 0.1um MIN. Au.
OVER 0.5um MIN. Pb-Ni.
CONTACT AREA 2 : 0.25um MIN. Au (FOR -XXXMLF).
OR 2.5um MIN. PURE Sn (FOR -XXXLF&XXXMLF)
SOLDER AREA : 2.5um MIN. PURE Sn.
HOLD-DOWN : 2.5um MIN. PURE Sn.
 - RECOMMENDED PCB HOLE (OPTIONAL HOLD-DOWN) : 2.3±0.1
 - SEQUENCE PIN ASSIGNMENT

	DIM "L"	
	42.5±0.1	50.0±0.1
PIN No.	35.5±0.1	37.0±0.1
OTHERS	36.67	35.27±0.08

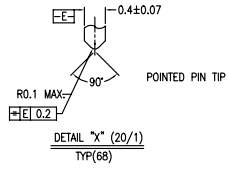
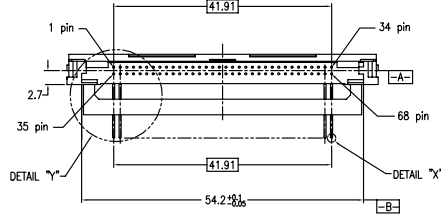
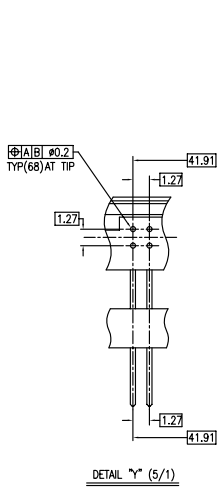
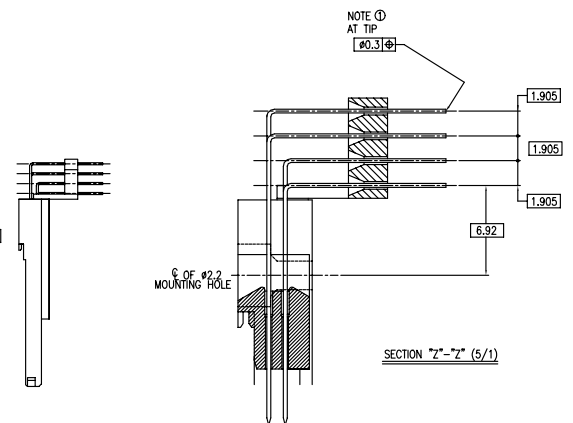
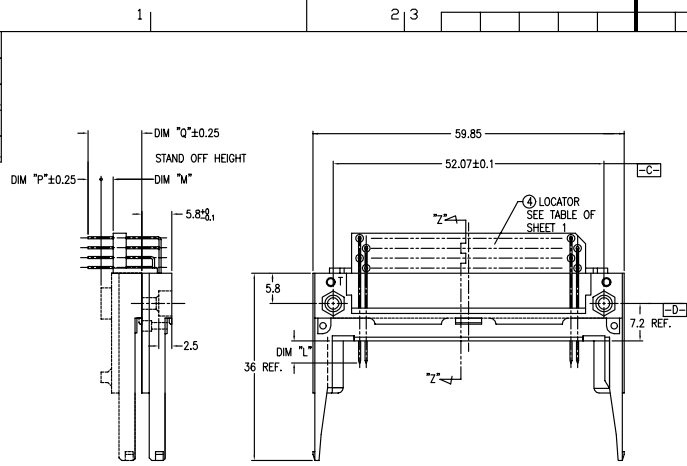


mat'l. code	surface	tolerance	projection	product family
	ISO 1302	ISO 406	ISO 1101	PCMCIA
tr/ecc no/dr date	tolerances unless otherwise specified			
AJ	angles	linear	MM	68 PDS EJECTOR HEADER ASSY
	±2'	±0.3	scale	
	dr Mike Zhou	11/21/06		dwg no 92140
	eng Mike Zhou	11/21/06		sheet 3 of 7
	chr David Qin	11/21/06		size A4
	app Jack Wang	11/21/06		type CUSTOMER Drawing
sheet index	revision sheet			

PDM: Rev: AJ STATUS Released Printed: Oct 12, 2010 6

FCI CONFIDENTIAL
 FCI
 This document is the property of and embodies CONFIDENTIAL and PROPRIETARY information of FCI. No part of the information shown on this document may be used in any way or disclosed to others without the written consent of FCI.
 Copyright FCI
 FCIconnect.com

PRODUCT NO.
92140-005
92140-005LF
92140-045
92140-045LF



- NOTES
- TRUE POSITION IS A FREE GRID TO PIN PATTERN ITSELF.
 - SEE TA-346 FOR PCB LAYOUT.
 - MATERIAL
 - HOUSING : LCP UL94V-0 BLACK.
 - PIN : PHOSPHOR BRONZE.
 - HOLD-DOWN : BRASS
 - FINISH
 - PIN
 - UNDER PLATING : 0.5µm MIN. Ni.
 - CONTACT AREA : 0.1µm MIN. Au.
 - OVER 0.5µm MIN. Pb-Ni.
 - SOLDER AREA : 2.5µm MIN. Sn-Pb.
 - OR 2.5µm MIN. PURE Sn.(FOR -XXXLF)
 - HOLD-DOWN : 2.5µm MIN. PURE Sn.
 - RECOMMENDED PCB HOLE (OPTIONAL HOLD-DOWN) : 2.3±0.1
 - SEQUENCE PIN ASSIGNMENT

PIN No.	DIM "Y"	
	4.28±0.1	5.5±0.1
OTHERS	36.67	5.0±0.1

- GENERAL TOLERANCE : ±0.3
- SEE SHEET 1 REGARDING COMPONENTS.
- THIS PRODUCT MEETS EUROPEAN UNION DIRECTIVES AND OTHER COUNTRY REGULATIONS AS DESCRIBED IN GS-22-008

mat'l. code	surface	tolerance	projection	product family	PCMCIA
l'rec'n no	dr date	ISO 1302	ISO 406	ISO 1101	
AJ		angles	linear	±0.3	MM
		±2'	scale		
		dr Mike Zhou	11/21/06		
		eng Mike Zhou	11/21/06		
		chr David Qin	11/21/06		
		app Jack Wang	11/21/06		
sheet	revision				
index	sheet				

sheet	revision				
index	sheet				

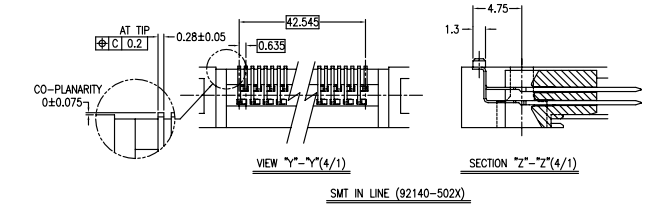
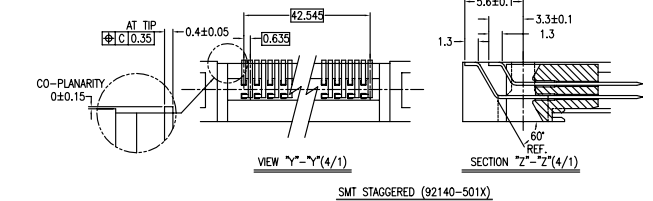
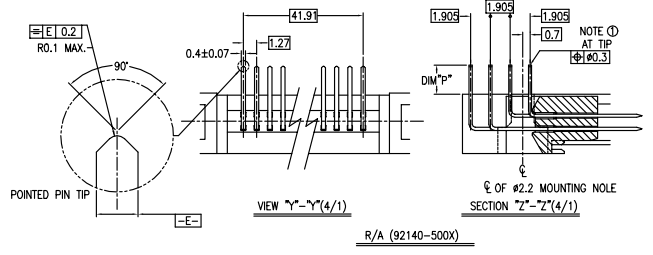
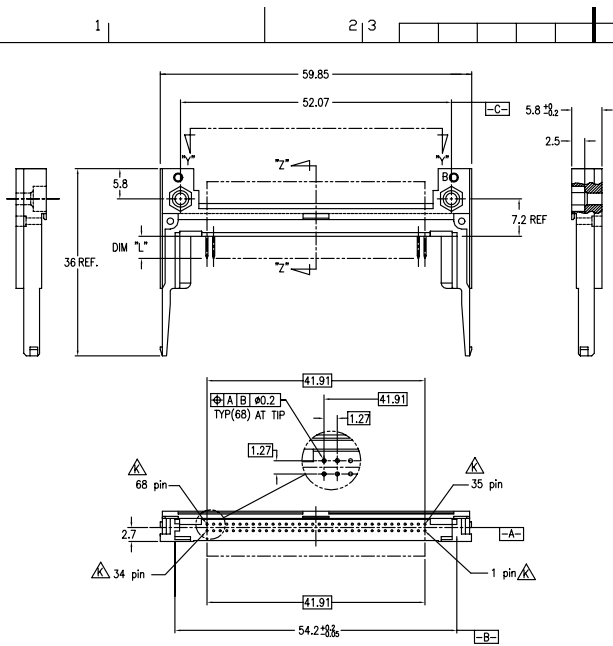
PDM: Rev: AJ STATUS Released Printed: Oct 12, 2010 6

FCI CONFIDENTIAL

FCI

This document is the property of and embodies CONFIDENTIAL and PROPRIETARY information of FCI. No part of the information shown on this document may be used in any way or disclosed to others without the written consent of FCI. Copyright © FCI.

PRODUCT NO.
92140-500
92140-500LF
92140-500H
92140-500HLF
92140-501
92140-501LF
92140-501H
92140-501HLF
92140-502
92140-502LF
92140-502H
92140-502HLF
92140-503
92140-503LF



- NOTES
- TRUE POSITION IS A FREE GRID TO PIN PATTERN ITSELF.
 - SEE TA-946 FOR PCB LAYOUT.
 - MATERIAL
HOUSING : LCP UL94V-0 NATURAL
PIN : PHOSPHOR BRONZE
HOLD-DOWN : BRASS
 - FINISH
UNDER PLATING : 0.5µm MIN. Ni.
CONTACT AREA : 0.1µm MIN. Au.
OVER 0.5µm MIN. Pb-Ni.
SOLDER AREA : 2.5µm MIN. PURE Sn.(FOR -XXXLF)
OR 2.5µm MIN. PURE Sn.
HOLD-DOWN : 2.5µm MIN. PURE Sn.
 - RECOMMENDED PCB HOLE (OPTIONAL HOLD-DOWN) : 2.3±0.1
 - SEQUENCE PIN ASSIGNMENT
- | DIM "A" | |
|----------|-----------|
| 4.25±0.1 | 3.5±0.1 |
| 36.67 | 35.0±0.08 |
- GENERAL TOLERANCE : ±0.3
 - SEE SHEET 1 REGARDING COMPONENTS.
 - THIS PRODUCT MEETS EUROPEAN UNION DIRECTIVES AND OTHER COUNTRY REGULATIONS AS DESCRIBED IN GS-22-008

DIM "A"	
4.25±0.1	3.5±0.1
36.67	35.0±0.08

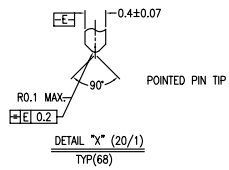
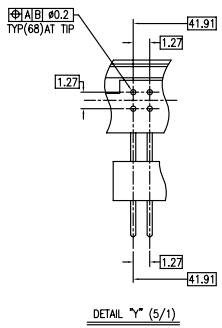
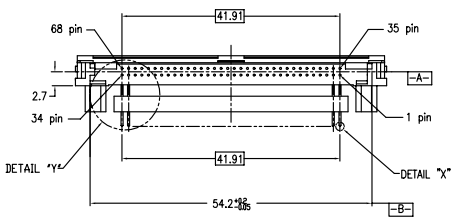
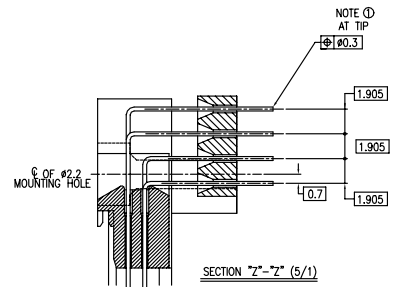
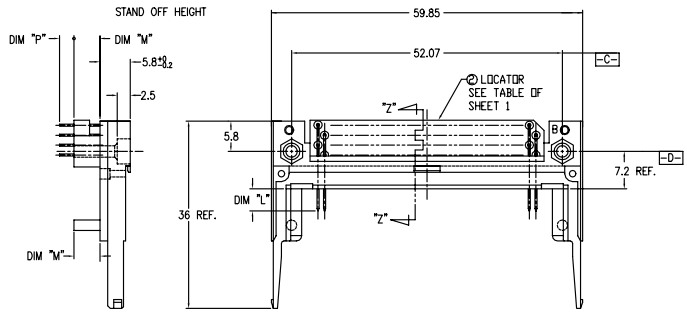
mat'l code	surface	tolerance	projection	product family
	ISO 1302	ISO 406	ISO 1101	PCMCIA
tr/ecc no/dr date	angles	linear	MM	68 PDS EJECTOR HEADER ASSY FOR 5.0V APPLICATION
	±2'	±0.3	scale	
	dr Mike Zhou	11/21/06		dwg no 92140 sheet 5 of 7 size A4
	eng Mike Zhou	11/21/06		
	chr David Qin	11/21/06		
	app Jack Wang	11/21/06		type CUSTOMER Drawing
sheet index	revision sheet			

FCI CONFIDENTIAL

FCI

This document is the property of and embodies CONFIDENTIAL and PROPRIETARY information of FCI. No part of the information shown on this document may be used in any way or disclosed to others without the written consent of FCI. Copyright © FCI.

PRODUCT NO.		
92140-510	92140-510LF	92140-510HLF
92140-520	92140-520LF	
92140-520H	92140-520HLF	
92140-530	92140-530LF	
92140-540	92140-540LF	



- NOTES
- TRUE POSITION IS A FREE GRID TO PIN PATTERN ITSELF.
 - SEE TA-946 FOR PCB LAYOUT.
 - MATERIAL: HOUSING : LCP UL94V-0 NATURAL. PIN : PHOSPHOR BRONZE. HOLD-DOWN : BRASS.
 - FINISH: UNDER PLATING : 0.5µm MIN. Ni. CONTACT AREA : 0.1µm MIN. Au. OVER : 0.5µm MIN. Ni-Pb-Ni. SOLDER AREA : 2.5µm MIN. PURE Sn-Pb. OR 2.5µm MIN. PURE Sn.(FOR -XXXLF) HOLD-DOWN : 2.5µm MIN. PURE Sn.
 - RECOMMENDED PCB HOLE (OPTIONAL HOLD-DOWN) : 2.3±0.1
 - SEQUENCE PIN ASSIGNMENT
- | PIN No. | DIM "M" | | |
|---------|----------|---------|---------|
| | 4.25±0.1 | 3.5±0.1 | 5.0±0.1 |
| OTHERS | 36.67 | 35.5 | 35.5 |
- GENERAL TOLERANCE : ±0.3
 - SEE SHEET 1 REGARDING COMPONENTS.
 - THIS PRODUCT MEETS EUROPEAN UNION DIRECTIVES AND OTHER COUNTRY REGULATIONS AS DESCRIBED IN GS-22-008

mat'l. code	surface	tolerance	projection	product family	PCMCIA
ltr ecn no dr date	ISO 1302	ISO 406 ISO 1101	ISO 1101	title	
	angles	tolerances unless otherwise specified	MM	68 POS EJECTOR HEADER ASSY FOR 5.0V APPLICATION	
	±2'	±0.3	scale	dwg no	92140
	dr Mike Zhou	11/21/06		sheet	6 of 7
	eng Mike Zhou	11/21/06		size	A4
	chr David Qin	11/21/06		type	CUSTOMER Drawing
	app Jack Wang	11/21/06			
sheet index	revision sheet				

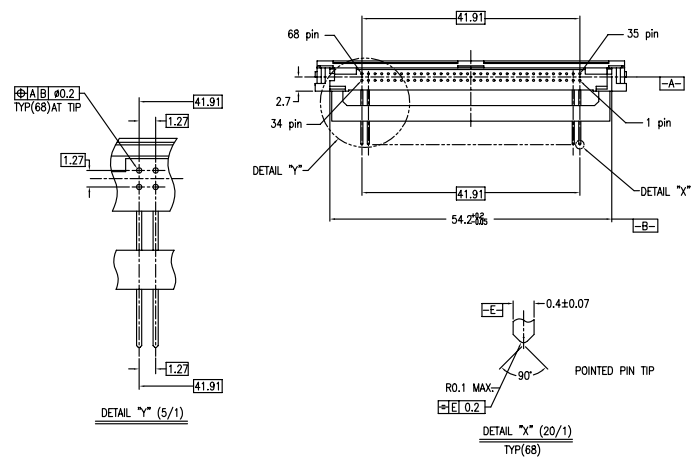
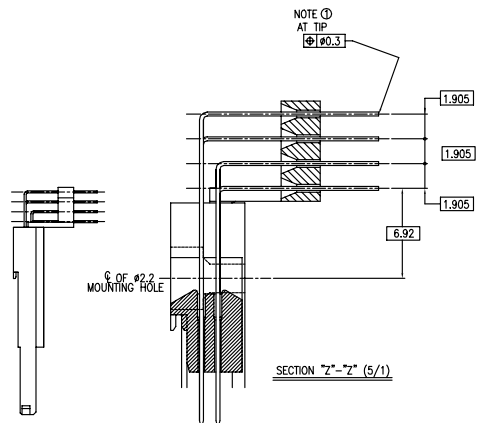
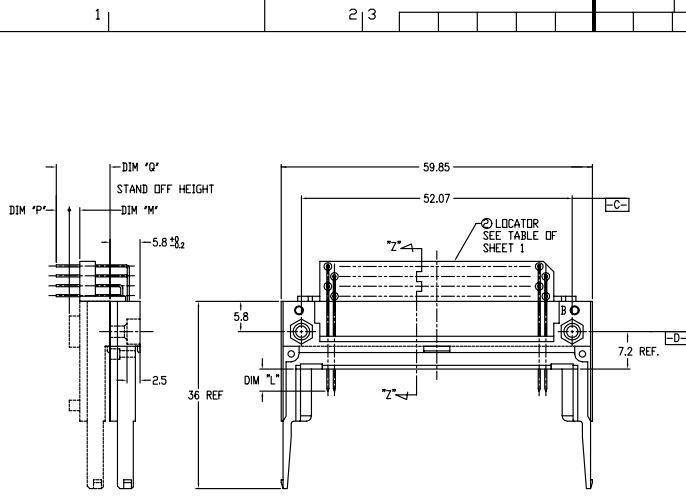
PDM:4 Rev:AJ STATUS Released Printed: Oct 12, 2010 6

FCI CONFIDENTIAL

FCI

This document is the property of and embodies CONFIDENTIAL and PROPRIETARY information of FCI. No part of the information shown on this document may be used in any way or disclosed to others without the written consent of FCI. Copyright © FCI.

PRODUCT NO.
92140-505
92140-505LF
92140-535
92140-535LF
92140-545
92140-545LF



- NOTES
- TRUE POSITION IS A FREE GRID TO PIN PATTERN ITSELF.
 - SEE SHEET 1 REGARDING COMPONENTS.
 - MATERIAL : LCP UL94V-0 NATURAL
PIN : PHOSPHOR BRONZE
HOLD-DOWN : BRASS
 - FINISH : UNDER PLATING : 0.5µm MIN. Ni
CONTACT AREA : 0.1µm MIN. Au
OVER : 0.5µm MIN. Pb-Ni
SOLDER AREA : 2.5µm MIN. Sn-Pb
OR 2.5µm MIN. PURE Sn (FOR -XXXLF)
HOLD-DOWN : 2.5µm MIN. PURE Sn
 - RECOMMENDED PCB HOLE (OPTIONAL HOLD-DOWN) : 2.3±0.1
 - SEQUENCE PIN ASSIGNMENT
- | | QW | TY |
|---------|----------|---------|
| | 4.25±0.1 | 3.5±0.1 |
| PIN No. | OTHERS | 36.67 |
- GENERAL TOLERANCE : ±0.3
 - SEE SHEET 1 REGARDING COMPONENTS.
 - THIS PRODUCT MEETS EUROPEAN UNION DIRECTIVES AND OTHER COUNTRY REGULATIONS AS DESCRIBED IN GS-22-008

mat'l. code	surface	tolerance	projection	product family	PCMCIA
	ISO 1302	ISO 406	ISO 1101		
tr/ecln no	dr date	tolerances unless otherwise specified	MM	68 PDS EJECTOR HEADER ASSY FOR 5.0V APPLICATION	
AJ		angles	±2'	scale	
		dr Mike Zhou	11/21/06	dwg no	92140
		eng Mike Zhou	11/21/06	sheet	7 of 7
		chr David Qin	11/21/06	size	A4
		app Jack Wang	11/21/06	type	CUSTOMER Drawing
sheet	revision				
index	sheet				

PDM: 4 Rev: AJ STATUS Released Printed: Oct 12, 2010 6