

Amphenol

Card Readers

MONOBLOCK SIM Readers

Electrical

Contact resistance - < 30 mΩ
 U-Form Contacts - < 100 mΩ
 Switch contacts - < 50 mΩ
 Insulation - > 10⁹ Ω
 HighVolt resistance - 500VAC 1 min

Environmental

Temperature - -40°C thru 85°C
 Vibration - IEC 60512-4, Test 6d
 Shock - IEC 60512-4, Test 6c

Mechanical

Durability - up to 5000 Cycles
 IR reflow soldering - 245°C 10s max

Features

- According to ISO7816
 - Designed for automated assembly
 - High co-planarity accuracy
 - 6 Contact SMT designed for GSM11.11
 - Spoon contact versions available
- Versions with switches are available**

SIMBLOCK SIM/SAM Card Readers

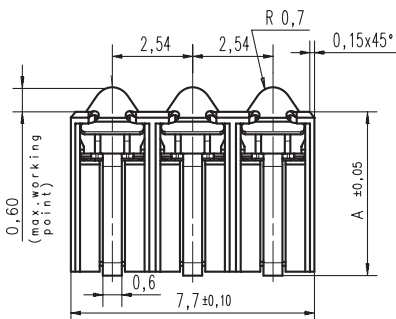
6 Contact (3+3) variable height SIM card readers

Diagram of
C707 10M006 1xx 2

C707 & CAD-0601 types feature spoon contacts for multi-direction card insertion/extraction

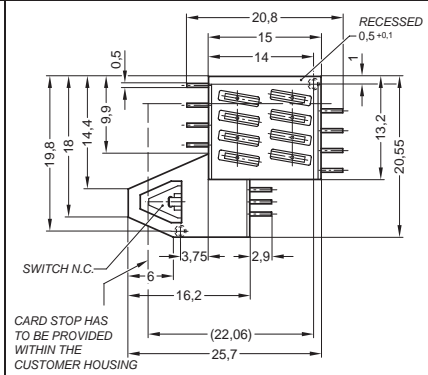
C707 types packed in tape and Reel of 1700 pieces 12mm pitch

C707...ATE
 CAD...ASCA



C707 10M006 0xx 2
 are
 8 Contact (4+4) ISO
 7816 readers

Diagram of
C707 10M006 053 2



Part Number:	Part Number:	Description	Part Number:	Part Number:	Description
	CAD-0605-112	Height - 1.1mm	C707 10M006 123 2	CAD-0601-302	Height - 3mm
	CAD-0605-122	Height - 1.2mm	C707 10M006 124 2	CAD-0601-322	Height - 3.2mm
	CAD-0605-132	Height - 1.3mm	C707 10M006 125 2	CAD-0601-342	Height - 3.4mm
	CAD-0605-142	Height - 1.4mm		CAD-0601-362	Height - 3.6mm
	CAD-0605-152	Height - 1.5mm	C707 10M006 126 2		Height - 3.7mm
	CAD-0605-162	Height - 1.6mm		CAD-0601-382	Height - 3.8mm
	CAD-0605-172	Height - 1.7mm	C707 10M006 109 2	CAD-0601-402	Height - 4mm
C707 10M006 131 2	CAD-0605-182	Height - 1.8mm	C707 10M006 127 2		Height - 4.2mm
	CAD-0605-192	Height - 1.9mm	C707 10M006 128 2		Height - 4.4mm
C707 10M006 119 2	CAD-0605-202	Height - 2mm	C707 10M006 117 2		Height - 4.6mm
	CAD-0605-212	Height - 2.1mm	C707 10M006 129 2		Height - 4.8mm
C707 10M006 110 2	CAD-0605-222	Height - 2.2mm	C707 10M006 130 2		Height - 5mm
C707 10M006 120 2	CAD-0601-242	Height - 2.4mm	C707 10M006 052 2		Without Switch
C707 10M006 121 2	CAD-0601-262	Height - 2.6mm	C707 10M006 053 2		With Switch (N/C)
C707 10M006 122 2	CAD-0601-282	Height - 2.8mm	C707 10M006 065 2		With Switch (N/O)

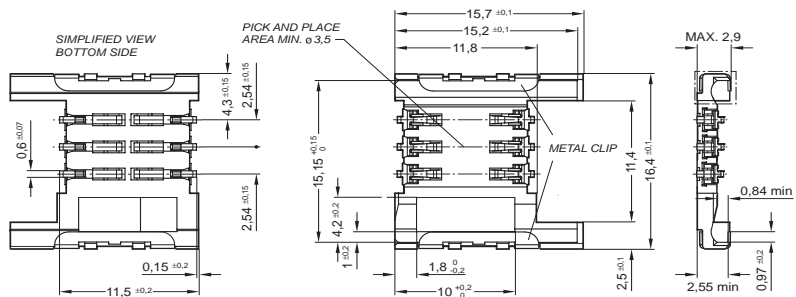
WINGBLOCK SIM/SAM Card Readers

6 Contact (3+3) SIM card reader with card Guide and Stop

Diagram of
C707 10M006 097 2

*1000 pieces on a 20mm pitch
 Tape & Reel

Part Number:	
*C707 10M006 097 2	ATE
9003-06-306	KAE
CAD-06W1-292	ASCA



BRIDGEBLOCK SIM/SAM Card Readers

6 Contact (3+3) SIM card reader with integrated Card Detection Switch and Metal Cover for Shielding

SMT Solderable

1500 Cycles

Part Number:	
C707 10M006 116 2	ATE/KAE/ASCA

