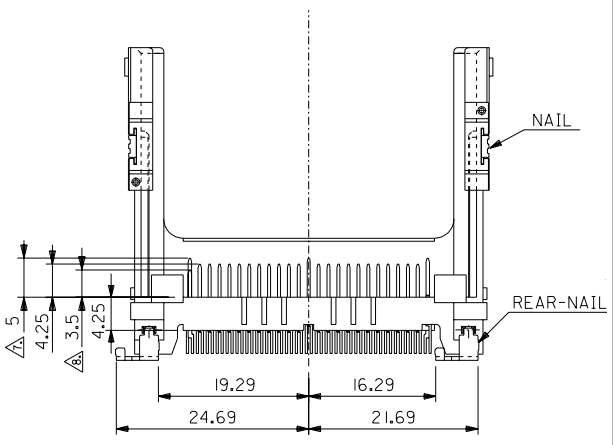
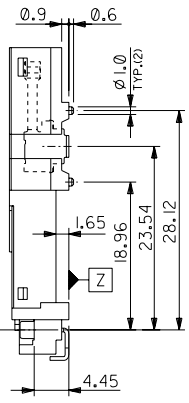
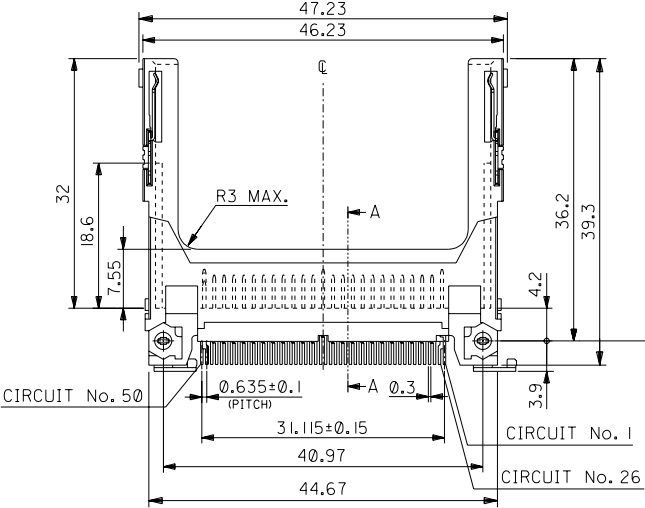
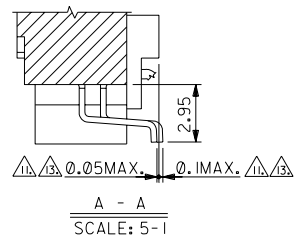
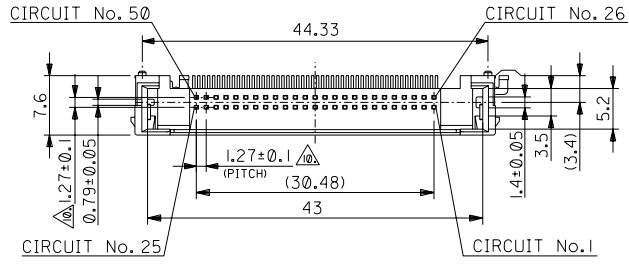


DWG. NO. SD-55358-015



55358-5038	55358-5039	55358-50**
HARD TRAY PACKAGE	MATERIAL No.	MODEL No.

DO NOT SCALE DRAWING

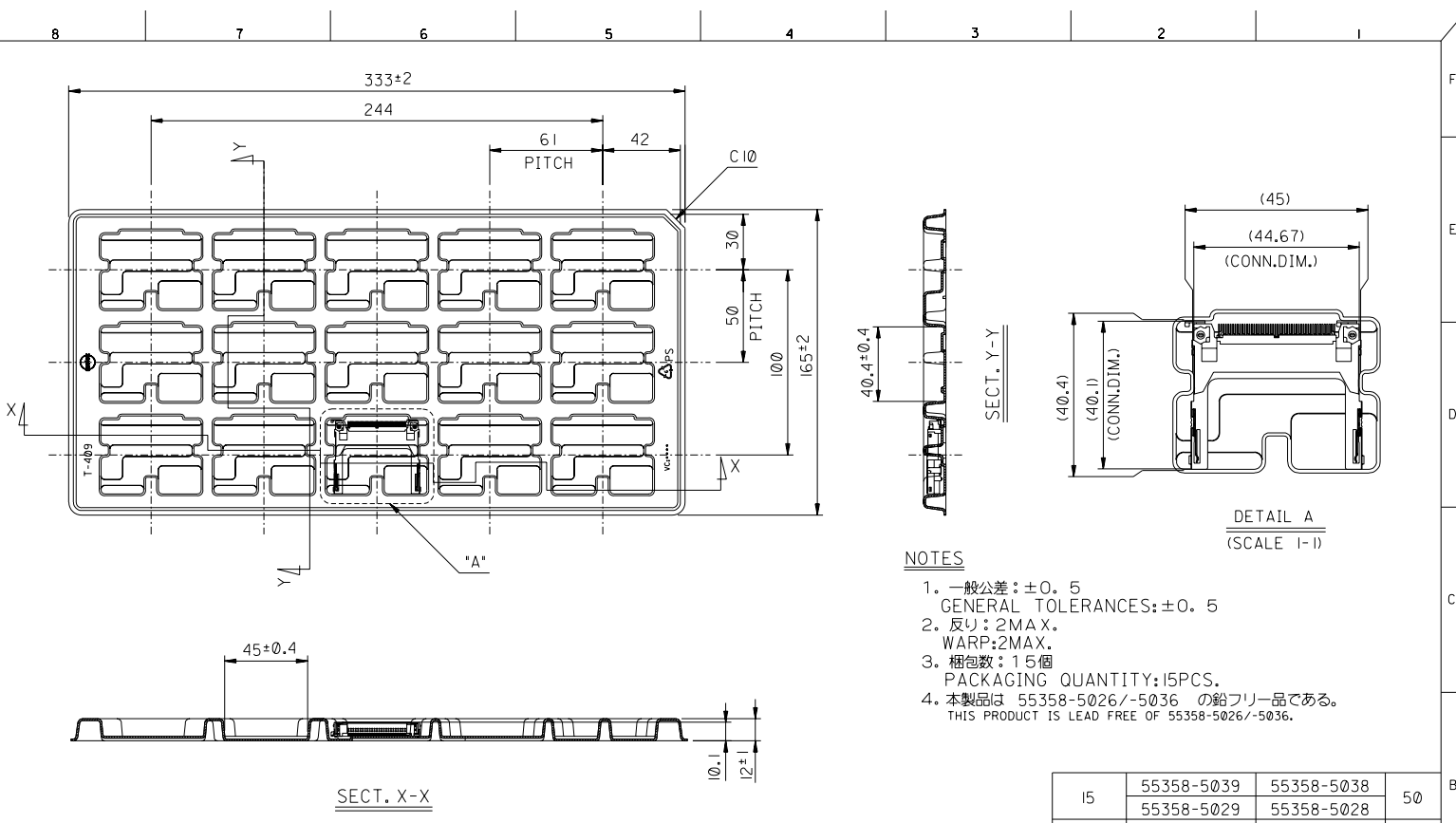
EC NO. DRWN: CHK: APPR:	EC NO. DRWN: CHK: APPR:	EC NO. DRWN: CHK: APPR:	EC NO. DRWN: CHK: APPR:	EC NO. DRWN: CHK: APPR:
8	7	6	5	4

RELEASED EC NO. J2004-3952 DRWN: M.NABEI '04/04/22 CHK: K.TOJO '04/04/22 APPR: MSASAO '04/04/22	MATERIAL 材料 SEE NOTES
DESCRIPTION	FINISH 仕上付 SEE NOTES
WIRE RANGE 適用電線範囲	INS. RANGE 被覆外径

GENERAL TOLERANCES: (UNLESS SPECIFIED) 一般公差	SCALE 2 - 1	DESIGN UNITS <input checked="" type="checkbox"/> mm <input type="checkbox"/> INCH
10 UNDER 未満	+0.2	DRAWN BY & DATE M.NABEI '04/04/22
10 OVER 以上	+0.25	CHECKED BY & DATE K.TOJO '04/04/22
30 OVER 以上	+0.3	APPROVED BY & DATE H. Saath '04/04/22
ANGLE 角度	+3°	CAD FILENAME SD-55358-015.S01

THIRD ANGLE PROJECTION	DIMENSIONS: <input type="checkbox"/> mm <input type="checkbox"/> INCH <input checked="" type="checkbox"/> mm ONLY	SHT REV
TITLE: CF CARD CONN. 50P HEADER ASS'Y (TYPE I/II, NORMAL) -LEAD FREE-	MATERIAL NO. SD-55358-015	REVISE ON CAD ONLY
MOLEX INCORPORATED	DRAWING NO. SD-55358-015	SHEET NO. 1 OF 2
THIS DRAWING CONTAINS INFORMATION THAT IS PROPRIETARY TO MOLEX INCORPORATED AND SHOULD NOT BE USED WITHOUT WRITTEN PERMISSION.		SIZE B
EN-02J(097) MXJ-54		

DWG. NO. SD-55358-016



- NOTES**
1. 一般公差 : ±0.5
GENERAL TOLERANCES : ±0.5
 2. 反り : 2MAX.
WARP : 2MAX.
 3. 梱包数 : 15個
PACKAGING QUANTITY : 15PCS.
 4. 本製品は 55358-5026/-5036 の鉛フリー品である。
THIS PRODUCT IS LEAD FREE OF 55358-5026/-5036.

15	55358-5039	55358-5038	50
	55358-5029	55358-5028	
梱包数量 QUANTITY	コネクタ番号 CONNECTOR No.	製品番号 MATERIAL No.	極数 CKT.

DO NOT SCALE DRAWING		55358-50**		SCALE 1:2	DESIGN UNITS <input checked="" type="checkbox"/> mm <input type="checkbox"/> INCH	MODEL NO.	DIMENSIONS: <input type="checkbox"/> mm <input type="checkbox"/> INCH <input type="checkbox"/> mm ONLY	SHT	REV
E84NO. DRWN: CH'KS: APPR:		E83NO. DRWN: CH'KS: APPR:		E82NO. DRWN: CH'KS: APPR:		E81NO. DRWN: CH'KS: APPR:		E80NO. DRWN: CH'KS: APPR:	
RELEASED		J2004-3952		MATERIAL 材料 POLYSTYRENE (t=1.0)		GENERAL TOLERANCES: (UNLESS SPECIFIED) 一般公差		TITLE: TRAY FOR CF CARD CONN. 50P HEADER HSG ASS'Y -LEAD FREE-	
DRWN: M.NABEI		CH'KS: K.TOJO		FINISH 仕上付 //		DRAWN BY & DATE M.NABEI 04/04/22		MATERIAL NO. DRAWING NO. SHEET NO. 1 OF 1	
APPR: M.SASAO		CH'KS: M.SASAO		WIRE RANGE 適用電線範囲 //		CHECKED BY & DATE K.TOJO 04/04/22		MATERIAL NO. DRAWING NO. SHEET NO. 1 OF 1	
REV 0		DESCRIPTION		ANGLE 角度 ±3°		APPROVED BY & DATE M.SASAO 04/04/22		MATERIAL NO. DRAWING NO. SHEET NO. 1 OF 1	
INS. RANGE 被覆外径 //						CAD FILENAME SD-55358-016.S01		MATERIAL NO. DRAWING NO. SHEET NO. 1 OF 1	
						SEE CHART		MATERIAL NO. DRAWING NO. SHEET NO. 1 OF 1	
						MOLEX INCORPORATED		MATERIAL NO. DRAWING NO. SHEET NO. 1 OF 1	
						DRAWING INFORMATION THAT IS PROPRIETARY TO MOLEX INCORPORATED AND SHOULD NOT BE USED WITHOUT WRITTEN PERMISSION.		MATERIAL NO. DRAWING NO. SHEET NO. 1 OF 1	
						EN-02J(097) MXJ-54		MATERIAL NO. DRAWING NO. SHEET NO. 1 OF 1	