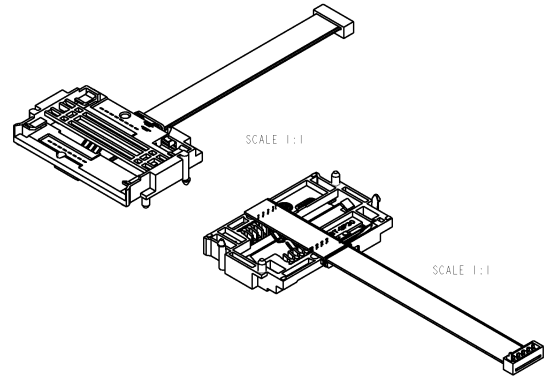


LOC	DISP	REV	DESCRIPTION	DATE	BY	APPD
H	-	1	EH10-0478-04	30NOV04	RC	PJ



- ▲ SMART CARD READER : PBT G-F BLACK, UL94V0 -
- SIGNAL AND SWITCH CONTACTS : PHOSPHOR BRONZE -
- ▲ ALL CONTACTS : 0.00076 GOLD ON MATING AREAS, -
- 0.0025 TIN (LEADFREE/MATTE) ON IDC AREA, -
- ALL OVER 0.001 NICKEL -
- 3 UL STYLE 2651 RIBBON CABLE AND, -
- 10 POSITIONS MICRO-MATCH CONNECTOR; -
- TO BE MATED WITH -
- 1-215079-0 THROUGH HOLE VERSION OR 1-188275-0 SMT VERSION. -
- 4 AMP SMART CARD RECEPTACLE DESIGNED TO ACCEPT ISO 7810-7816 TYPE -
- INTEGRATED CIRCUIT SMART CARDS (0.76 mm REF. THICKNESS) -

ASS'Y P/N	5	4	3	2	1	DESCRIPTION	ITEM
	-	-	-	-	-	FERRITE CORE (SEE SHEET 21)	3
	1	1	-	-	-	RIBBON CABLE ASS'Y, L = 80mm	2
	-	-	1	-	-	RIBBON CABLE ASS'Y, L = 150mm	2
	-	-	-	1	-	RIBBON CABLE ASS'Y, L = 305mm	2
	-	-	-	-	1	RIBBON CABLE ASS'Y, L = 100mm	2
	1	1	1	1	1	SMART CARD READER ASS'Y 8 POS. WITH METAL STRAIN RELIEF	1
ASS'Y P/N 5953131	-5	-4	-3	-2	-1	DESCRIPTION	ITEM

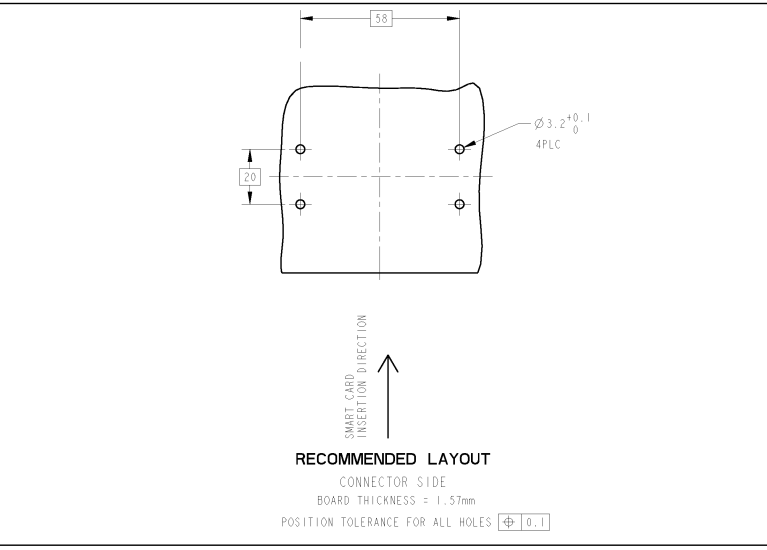
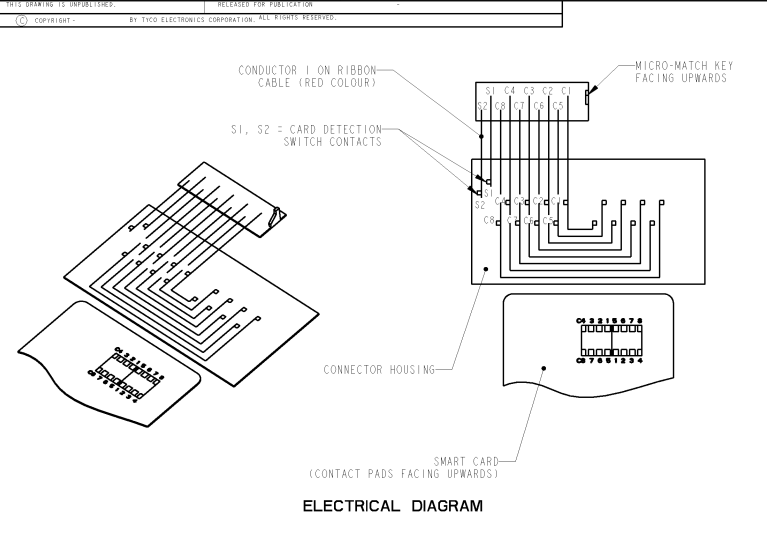
DIMENSIONS:		mm		30-Nov-04		tyco Electronics		TYCO ELECTRONICS NEDERLAND B.V. - HERTODENBOSCH, THE NETHERLANDS	
MATERIAL:		ZINIS		108-15174		A2100779		C=5953131	
CUSTOMER DRAWING		SCALE 2:1		SHEET 1 OF 2		REV A		RESTRICTED TO	

4

3

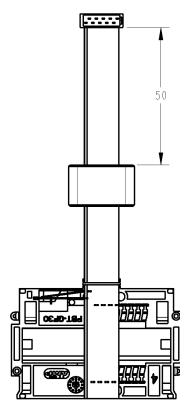
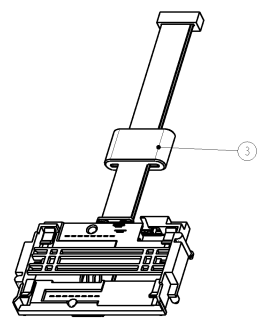
2

1



LOC	DISP	REV	DATE	BY	APPD
H	-	1	-	-	-

REV	DESCRIPTION	DATE	BY	APPD
1	SEE SHEET 1	-	-	-



PN 5953131-5 AS SHOWN

DIMENSIONS: mm 0 PLC ±0.3 1 PLC ±0.3 2 PLC ±0.3 3 PLC ±0.3 4 PLC ±0.3 ANGLES: ±		DWG NO: 30-Nov-04 DR: Coalen CHN: W. Jansen ZVP: J. Jansen PRODUCT SPEC: - APPLICATION SPEC: - WEIGHT: - MATERIAL: ZINISIR CUSTOMER DRAWING: -	tyco Electronics TYCO ELECTRONICS NEDERLAND B.V. 't HERTOKENBOSCH, THE NETHERLANDS SMART CARD READER WITH RIBBON CABLE 8 POSITIONS SIZE: A2 CASE CODE: 100779 DRAWING NO: C=5953131 RESTRICTED TO: -	SCALE: 2:1 SHEET: 2 OF 2 REV: A
--	--	--	---	---------------------------------------

AMP 1471-6 REV 20KAR000