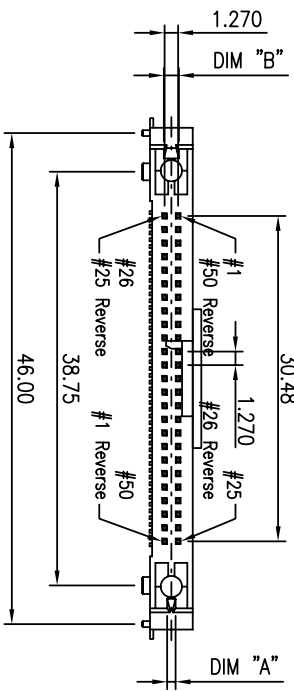
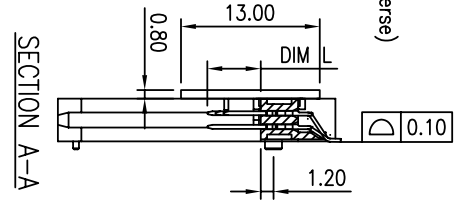
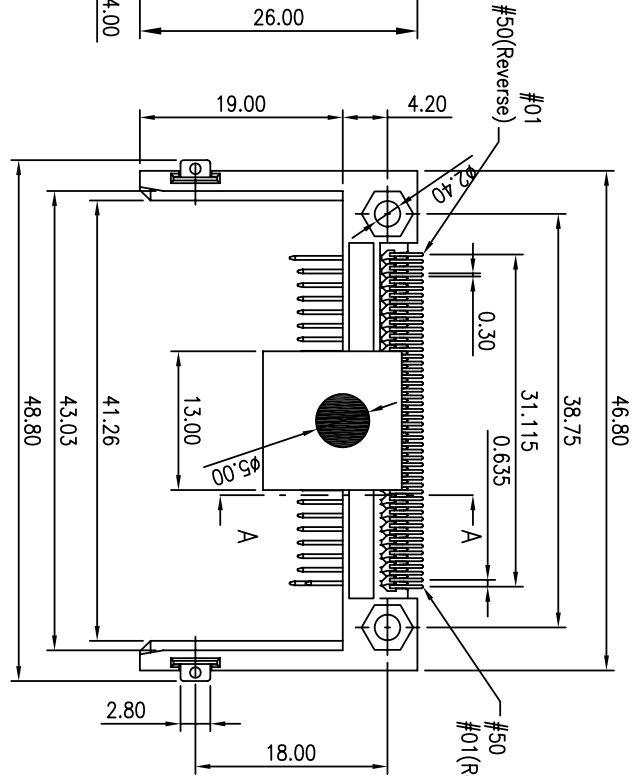
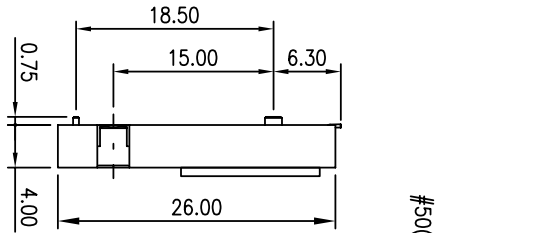


PROD NO
SEE NOTE



PIN TYPE	DIM (L1,L2,L3)	PIN NO.
POWER	L3 = 5.00mm	1, 13, 38, 50
GENERAL	L2 = 4.25mm	ALL OTHER PINS
DETECT	L1 = 3.50mm	25, 26

PART NUMBER	DIMENSION A	DIMENSION B
10030920-X050 NORMAL TYPE	0.80	1.40
10030920-X150 REVERSE TYPE	1.40	0.80

mod'l. code	tolerances unless otherwise specified		CUSTOMER COPY		title	
itr	ecn no	dr	date	linear	product family	CF
A	T03-0176	J.C	8/6/03*	.XX ±.25	CF	CF HEADER SLIM TYPE
B	T04-0387	A.C.	10/07/04	.XXX ±.10	product size	A4
C	T05-0055	A.C.	4/11/05	of ±.2°	product family	CF
D	T05-0230	A.C.	10/14/05	dr	product size	A4
engr			JASMIN CHANG	8/6/03*	product family	CF
chr			JASON HSU	8/6/03*	product size	A4
oppl			STERLING LIN	8/6/03*	product family	CF
sheet	revision	D	D	projection	product size	A4
index	sheet	1	2	MM	product size	A4
sheet 1 of 2						

ACAD

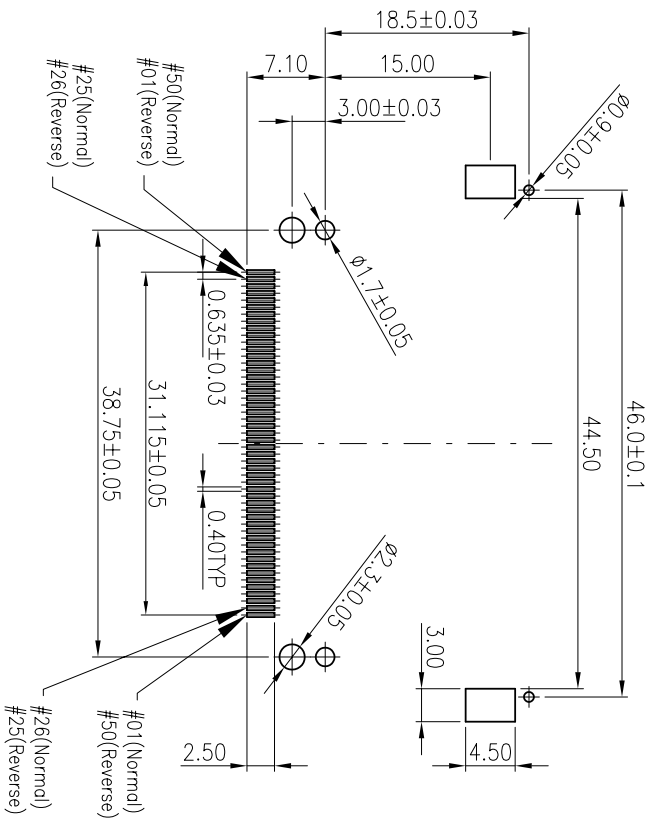
cage code
22526

NOTES:

- Materials:
Housing: High Temperature Thermoplastic, UL94V-0.
Contact: Copper Alloy.
Solderable Holddown: Copper Alloy.
- Specification:
Product Spec: GS-12-240.
Packaging Spec: GS-14-933.
- Tin/Lead Plating Spec:
Contact: Under Plated 50u" Min. Nickel All Over, 100u" Min. Tin/Lead in Solder Tail Area, Selective Gold Plating in Contact Area.
Solderable Holddown: Under Plated 50u" Min. Nickel, Plated 100u" Min. Tin/Lead All Over.
- Lead-Free Plating Spec:
Contact: Under Plated 50u" Min. Nickel All Over, 100u" Min. Pure Matte Tin in Solder Tail Area, Selective Gold Plating in Contact Area.
Solderable Holddown: Under Plated 50u" Min. Nickel, Plated 100u" Min. Pure Matte Tin All Over.
- The Housing Will Withstand Exposure to 260°C Peak Temperature For 10 Seconds In A Convection, IR Or Vaper Phase Reflow Oven.
- This Product (10030920-XXXXXLF) Meets the European Union Directive as Described in GS-22-008.

7. Part Number Description:
P/N: **10030920-XX50XLF**

LEAD-FREE PLATING OPTION:
BLANK: TIN/LEAD PLATING SPEC(SEE NOTE3).
LF: LEAD-FREE PLATING SPEC(SEE NOTE4).
P: WITH PICK-UP CAP.
PIN COUNT.
KEY TYPE:
0: NORMAL TYPE
1: REVERSE TYPE
GOLD PLATING:
A: GOLD FLASH
D: 15u" GOLD PLATE
E: 30u" GOLD PLATE



GENERAL TOLERANCE ±0.05
RECOMMENDED P.C.B LAYOUT

mod'l. code		tolerances unless otherwise specified		CUSTOMER COPY		title	
ltr	ecn no	dr	date	linear	angles	projection	CF HEADER SLIM TYPE
D				.XX ±.25	0° ±.2°	MM	www.fciconnect.com
				.XXX ±.10			
				dr JASMINE CHANGI 8/6/03*	engr JASON HSU 8/6/03*	chr JASON HSU 8/6/03*	product family CF
				opd STERLING LIN 8/6/03*			size dwg no 10030920
sheet	revision						code
index	sheet						sheet 2 of 2

ACAD

cage code 22526