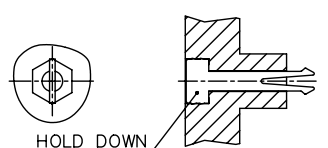
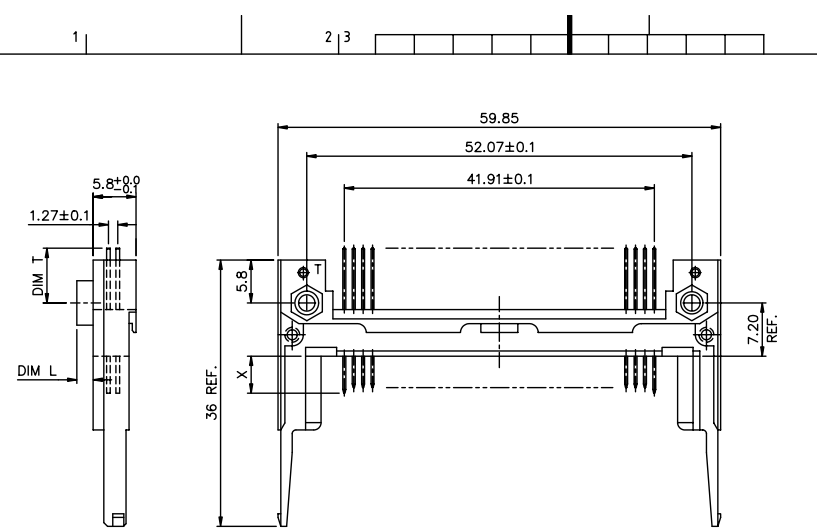


FCI CONFIDENTIAL

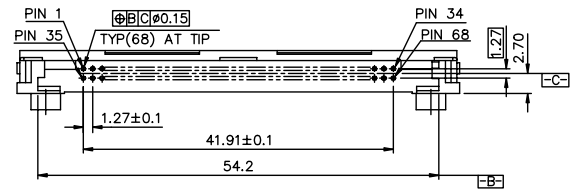


This document is the property of and includes CONFIDENTIAL and PROPRIETARY information of FCI. No part of the information shown on this document may be used in any way or disclosed to others without the written consent of FCI. Copyright © FCI.



NOTE:
1. ADD "H" TO PART NUMBER FOR OPTIONAL HOLD DOWN (2 PER ASSEMBLY).

94937-0051LF	5.0	0.6
94937-0100M/0100MLF	0	3.0
94937-0050H/0050HLF	5.0	0.6
94937-0200/0200LF	0	3.0
94937-0150/0150LF	5.0	0.6
94937-0100/0100LF	0	3.0
94937-1522/1522LF	0	11.6
94937-1500/1500LF	0	15.9
94937-0522/0522LF	0	9.9
94937-0022/0022LF	2.2	3.0
94937-0040/0040LF	4.0	0.6
94937-0543/0543LF	0	7.5
94937-0043/0043LF	4.3	0.6
94937-0050/0050LF/0051LF	5.0	0.6
94937-0500/0500LF	0	10.9
94937-0000/0000LF	0	0.6
PRODUCT NO	DIM. L	DIM. T±0.10



DIM "X"	4.25±0.1	3.5±0.1	5.0±0.1
PIN NO.	OTHERS	36,67	1,17,34 35,51,68

- 94937-□□□□
- LEAD FREE OPTION : LF
- HOLD DOWN : H
- STAND-OFF : 00 : 0.0 mm
20 : 2.0 mm
22 : 2.2 mm
30 : 3.0 mm
40 : 4.0 mm
43 : 4.3 mm
50 : 5.0 mm
- UPPER DECK : 5
- LOWER DECK : 0
- LOWER DECK : 1 (FOR HOLLAND)
- LOWER DECK : 2 (FOR VGR)
- TOP MOUNT : 0
- TOP MOUNT : 1
- BOTTOM MOUNT : 5
- BOTTOM MOUNT : 6

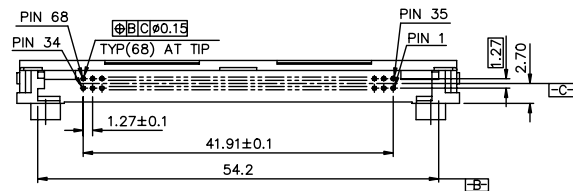
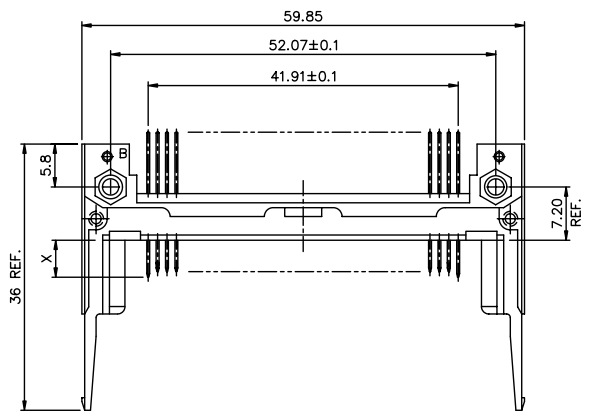
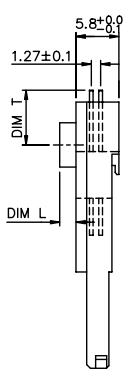
mat'l. code	surface ISO 1302	tolerance ISO 406 ISO 101	projection	product family PCMCIA
ltr ecn no dr date	tolerances unless otherwise specified	angles linear ±0.3	MM	title 68 POS EJECTOR HEADER HSG HEADER ASSY
Y T03-0389 WL 09/10/03	±2°	scale 2:1	FCI	dwg no 94937 sheet 1 of 2 size A4
AA N04-0092 WB 12/01/04	dr Mike Zhou 07/01/06	chr Qin David 07/01/06	pppd Jack Wang 07/01/06	type CUSTOMER Drawing
AB N06-0110 MZ 07/01/06	sheet index	revision sheet 1 2		

FCI CONFIDENTIAL

FCI

This document is the property of and includes CONFIDENTIAL and PROPRIETARY information of FCI. No part of this information shall be disclosed in any way or by any means without the written consent of FCI. Copyright © FCI.

PRODUCT NO.	DIM "X"		
94937-****/****LF	4.25±0.1	3.5±0.1	5.0±0.1
OTHERS	36,67	1,17,34	35,51,68



- Note:
- MATERIAL
 - HEADER ASS'Y: PLASTIC :HOUSING ...LCP UL94V-0 BLACK
PIN :COPPER ALLOY
 - FINISH (PIN)
 - UNDER PLATING :0.5 um MIN. Ni
CONTACT AREA :0.1 um MIN. GOLD OVER
0.1 um MIN. GOLD OVER 0.5um MIN. Pd-Ni
SOLDER TAIL: TIN LEAD PLATING: 2.5 um MIN. Sn-Pb
LEAD FREE PLATING: 2.5 um MIN. PURE TIN
 - IF LEAD FREE P/N.THE HOUSING WILL WITHSTAND EXPOSURE TO 260°C PEAK TEMPERATURE FOR 10 SECONDS IN A WAVE SOLDER APPLICATION WITH A 1.00MM MINIMUM THICK CIRCUIT BOARD.
 - IF LEAD FREE P/N. PACKAGING MEETS GS-14-920 SPECIFICATION
 - LEAD FREE PRODUCT MEETS EUROPEAN UNION DIRECTIVES AND OTHER COUNTRY REGULATIONS AS DISCRIBED IN GS-22-008

94937-□□□□	LEAD FREE OPTION : LF
STAND-OFF	00 : 0.0 mm
	20 : 2.0 mm
	22 : 2.2 mm
	30 : 3.0 mm
	40 : 4.0 mm
	43 : 4.3 mm
	50 : 5.0 mm
	UPPER DECK : 5
	LOWER DECK : 0
	TOP MOUNT : 0
	TOP MOUNT : 1
	BOTTOM MOUNT : 5
	BOTTOM MOUNT : 6

94937-5150/5150LF	5.0	3.0
94937-6522/6522LF	0	11.6
94937-6500/6500LF	0	15.9
94937-5522/5522LF	0	9.9
94937-5022/5022LF	2.2	3.0
94937-5543/5543LF	0	7.5
94937-5043/5043LF	4.3	0.6
94937-5050/5050LF	5.0	0.6
94937-5500/5500LF	0	10.9
94937-5000/5000LF	0	0.6
PRODUCT NO	DIM. L	DIM. T±0.10

mat'l. code	surface	tolerance	projection	product family
	ISO 1302	ISO 406	ISO 101	PCMCIA
ltr	ecn	no	dr	date
AF				
angles				linear
±2°				±0.3
dr				scale 2:1
engr				MM
chr				dwg no
ppd				sheet 2 of 2
				size A4
				type CUSTOMER Drawing
sheet index	revision sheet			