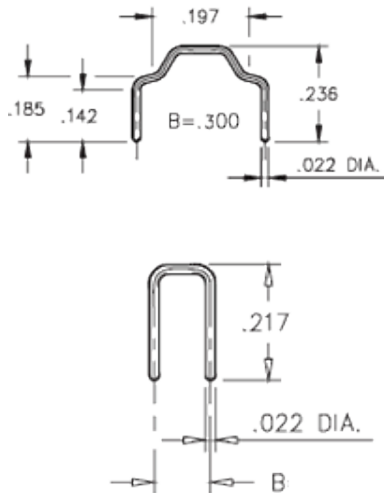
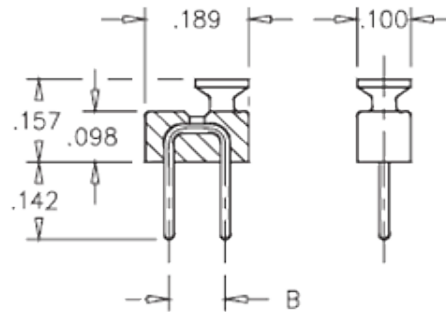


Product Number: 999-11-113-10-000000



999-11-1XX-10-000000



999-11-2XX-10-000000

Description:
 Jumper Male Shorting
 10 Microinches Gold
Plating Code:
 11
Shell Plating:
 10 μ" Gold over 100 μ" Nickel
Inner Contact Plating:
 10 μ" Gold over 50 μ" Nickel

# Of Pins	B	Mill-Max Part Number	RoHS Compliant
2	0.300	999-11-113-10-000000	NO

INSULATOR INFORMATION:

PBT* Polyester, (Valox 420-SEO, black), Self-extinguishing, rated UL94V-0 Standard Temperature

Properties of PBT Polyester:

- Brand: Valox
- Grade: 420-SEO
- Color: Black
- Rated voltage: 100 VRMS/150 VDC
- Insulation resistance: 10,000 Megaohms min.
- Dielectric strength: 1000 VRMS min. (700 VRMS min. for series 117 Shrink DIP)
- Material Heat Deflection Temp (per ASTM D 648): 420°F(216°C) @ 66 psi
- Resistant to detergents, mineral acids, solvents, greases and oils (short time)

Certificate of Compliance:

This is to Certify that the product described above is manufactured to Mill-Max quality standards in accordance with all applicable specifications and drawing. Mill-Max certifies this product to be free from defects of materials and workmanship.

This Certificate of Compliance covers the following requirements:

- Dimensional (all features verified to be within tolerances described on the applicable drawing).
- Raw Material (materials and properties verified to be as described on the applicable drawing).
- Plating (platings as required, thickness verified, and performance including solderability per mil-standard).
- Performance (insertion extraction or other force requirements as described on the applicable drawing).

Compliance Statement for Registration, Evaluation, Authorization and Restriction of Chemicals (REACH)

Reference:

1. Regulation EC No 1907/2006 of the European Parliament and of the Council of 18 December 2006, concerning the Registration, Evaluation, Authorization and Restriction of Chemicals (REACH)
2. ECHA, Candidate list of Substances of Very High Concern (SVHC) http://echa.europa.eu/reach_en.asp

Mill-Max is aware of the regulation and the SVHC list the EU published (referenced above). Mill-Max does not produce or sell any of the listed substances in their homogeneous form. These substances are not intentionally added during the manufacturing of any Mill-Max products. To our knowledge, our products do not contain the substances described on the ECHA SVHC list. Testing is not performed for materials and substances that were not intentionally added. No warranty, liability of indemnification is expressed or implied with this information. Mill-Max maintains surveillance of the ECHA website to obtain the latest information and periodically reviews the SVHC list for changes and additions.