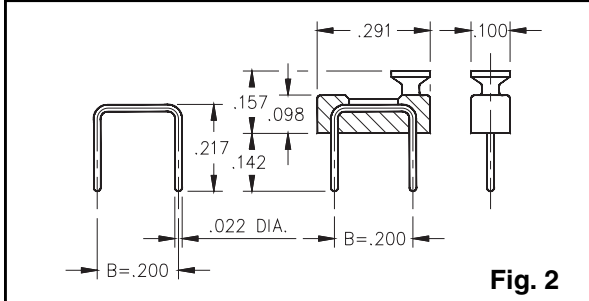
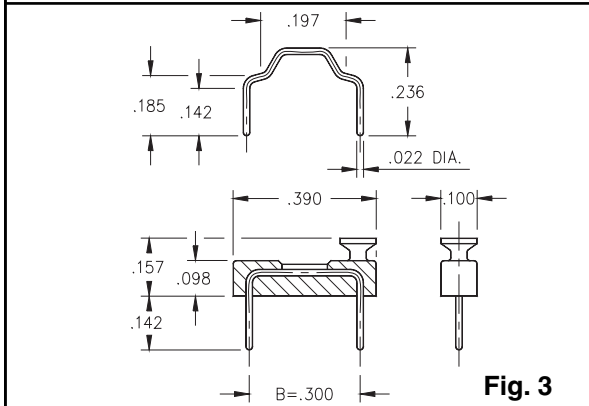


**Fig. 1**

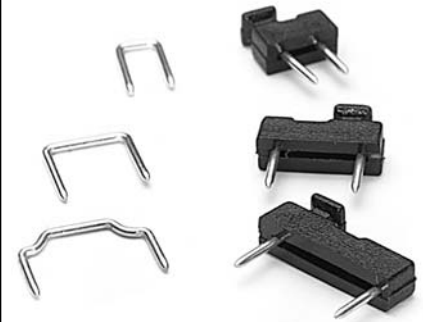


**Fig. 2**



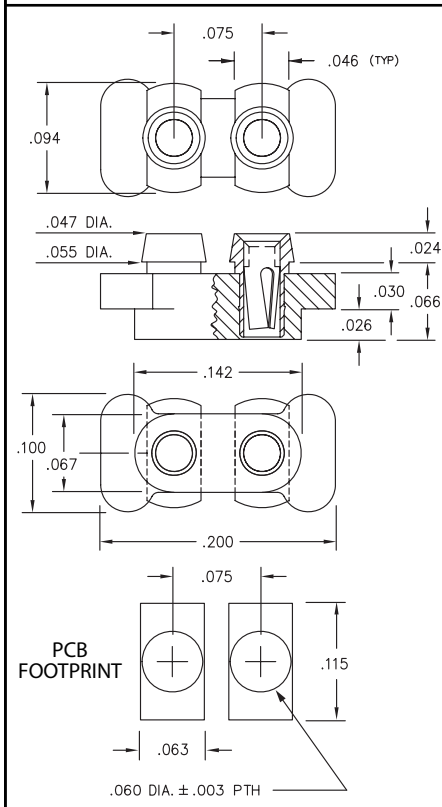
**Fig. 3**

- Male shorting jumpers are available with or without insulator and have .022" diameter pins with .100", .200" or .300" center spacing.
- Insulator materials are not high temperature.

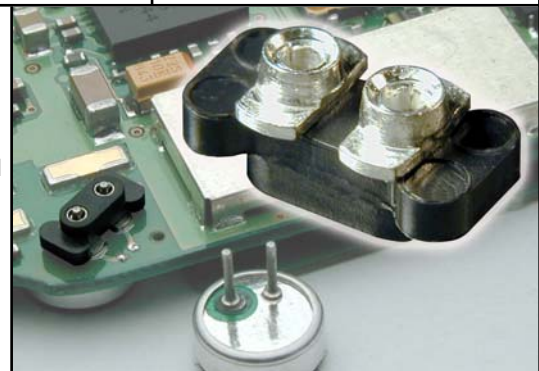


**Ordering Information**

<b>Fig. 1</b>	<b>Male Shorting Jumper .100" Spacing</b>	
	<b>Color / Style</b>	<b>Plating 10μ" Au ◊</b>
	Black	999-11-210-10-000000
	Not Insulated	999-11-110-10-000000
<b>Fig. 2</b>	<b>Male Shorting Jumper .200" Spacing</b>	
	<b>Color / Style</b>	<b>Plating 10μ" Au ◊</b>
	Black	999-11-220-10-000000
	Not Insulated	999-11-112-10-000000
<b>Fig. 3</b>	<b>Male Shorting Jumper .300" Spacing</b>	
	<b>Color / Style</b>	<b>Plating 10μ" Au ◊</b>
	Black	999-11-230-10-000000
	Not Insulated	999-11-113-10-000000



- Series 388 microphone socket is a bottom entry socket for microphones having Ø.018" pins on .075" centers.
- Designed to be surface mount and intrusive reflow soldered.
- Insulator is high temp. Nylon 46, rated UL 94 V-0.
- Series 388 use MM #8874 pins. See page 128 for details.



**Microphone Socket**

**Ordering Information**

**388-XX-102-11-740800** (Discrete sockets)

Plating Code

**388-XX-102-11-740799**

(Supplied on 12mm wide carrier tape per EIA-481: 6,500 per 13" reel)

SPECIFY PLATING CODE XX=				<b>99</b>			<b>44 ◊</b>
Sleeve (Pin)				200μ" Sn/Pb			200μ" Sn
Contact (Clip)				200μ" Sn/Pb			200μ" Sn