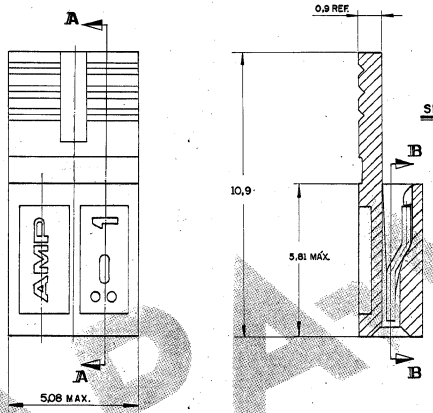


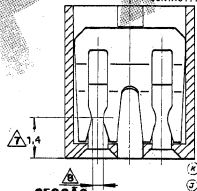
C881545

DO NOT SCALE
DIMENSIONS IN mm. METRIC 3rd ANGLE PROJECTION

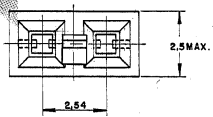
ATENÇÃO
Este desenho esta sob o controle das especificações nos. 102-23 e 102-55. Toda e qualquer alteração, antes de ser processada, deverá ser comunicada aos clientes envolvidos, através dos procedimentos atuais.
Ver pasta "Notificação ao Cliente"



SECCÃO A-A



SECCÃO B-B



- ⚠ SIMILAR DO P/N 881545-2, PORÉM EM EMBALAGENS C/ 2.000 PEÇAS/SACO PLÁSTICO.
SIMILAR OF P/N 881545-2 BUT IN PACKAGES W/ 2.000 PARTS/ PLASTIC BAG.
- ⚠ MATERIAL HOUSING: TERMOPLÁSTICO COM 15% FIBRA DE VIDRO, V2, COR AMARELO (RAL 1016)
CONTACTO: BRONZE FOSFOROSO
MATERIAL: HOUSING: THERMOPLASTIC 15% GLASS FIBER V2, COLOR YELLOW (RAL 1016)
CONTACT: PHOSPHOROUS BRONZE
- ⚠ MATERIAL HOUSING TERMOPLÁSTICO COM 15% FIBRA DE VIDRO, V2, COR VERDE (AMP A6484)
CONTACTO: BRONZE FOSFOROSO
MATERIAL: HOUSING THERMOPLASTIC 15% GLASS FIBER V2, COLOR GREEN (AMP A6484)
CONTACT: PHOSPHOROUS BRONZE

- MATERIAL: HOUSING: TERMOPLÁSTICO C/ FIBRA DE VIDRO V-D COR: PRETO
CONTACTO: BRONZE FOSFOROSO
- MATERIAL: HOUSING: THERMOPLASTIC WITH GLASS FIBER V-D COLOR:BLACK
CONTACT: PHOSPHOROUS BRONZE
- MATERIAL: HOUSING: TERMOPLÁSTICO C/ FIBRA DE VIDRO HB COR:NATURAL
CONTACTO: BRONZE FOSFOROSO
- MATERIAL: HOUSING: THERMOPLASTIC WITH GLASS FIBER HB COLOR:NATURAL
CONTACT: PHOSPHOROUS BRONZE
- 0,38 µm. MIN. OURO NA ÁREA DE CONTATO, SOBRE BANHO 0,76 µm NIQUEL
0,38 µm. MIN. GOLD ON CONTACT AREA, 0,76 µm NICKEL UNDERPLATING
- 0,76 µm. MIN. OURO NA ÁREA DE CONTATO, SOBRE BANHO 0,76 µm NIQUEL
0,76 µm. MIN. GOLD ON CONTACT AREA, 0,76 µm NICKEL UNDERPLATING
- 1,27 µm. MIN. OURO NA ÁREA DE CONTATO, SOBRE BANHO 0,76 µm NIQUEL
1,27 µm. MIN. GOLD ON CONTACT AREA, 0,76 µm NICKEL UNDERPLATING
- ESTRANHO: SÓDIO NIQUEL
FINISH: OVER NICKEL
- PUNTO DE CONTATO: P/ MEDICIÓN DE LA CAPA DE OURO
CONTACT POINT FOR GOLD PLATING MEASUREMENT
- ACEITAÇÃO QUANTO A 0,64 x 0,64 DO REDONDO Ø 0,64
ALLOWED SQUARE PIN 2,64 x 0,64 ON ROUND Ø 0,64
- MATERIAL: HOUSING: TERMOPLÁSTICO C/ 15% DE FIBRA DE VIDRO, V2, COR VERMELHO (PADRÃO DE COR: RAL 3000)
CONTACTO: BRONZE FOSFOROSO
MATERIAL: HOUSING THERMOPLASTIC WITH 15% GLASS FIBER V2, COLOR RED (STAND COLOR: RAL 3000)
CONTACT: PHOSPHOROUS BRONZE

4-	-2
4-	-1
3-	-1
2-	-4
2-	-3
2-	-2
2- 881545	-1
	-9
	-8
	-7
	-6
	-5
	-3
	-2
	-1
	881545-1

CUSTOMER DWG
for REFERENCE ONLY

OTHER TREATMENT FINISH MATERIAL PART NUMBER

881545-1

AMP do BRASIL LTDA.
São Paulo, Brasil

DESCRIPTION: AMP SHUNT
LOW PROFILE CONNECTOR ASSY

DWG NO: A2
C 881545

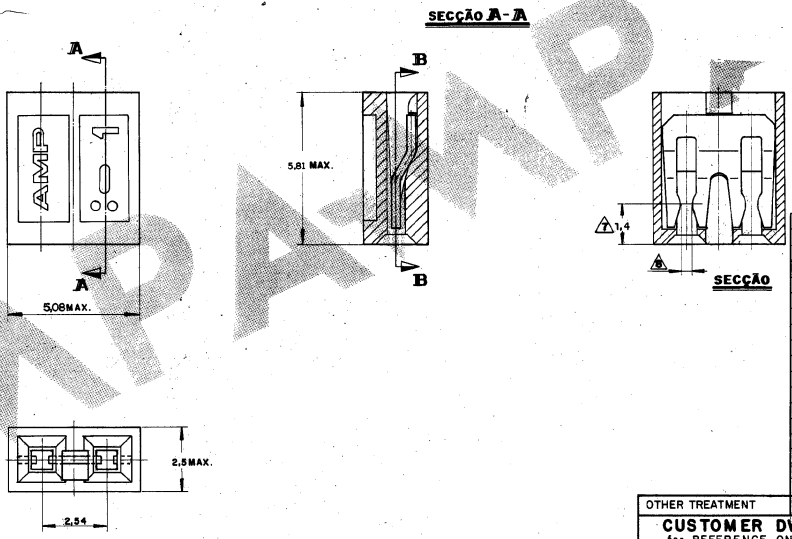
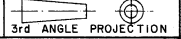
REVISION RECORD

REV	REVISION RECORD	DR	CHK	DATE	REV	REVISION RECORD	DR	CHK	DATE
1	REVISED BY EC 10/28/89				2	REVISED BY EC 11/28/89			
3	REVISED BY EC 12/28/89				4	REVISED BY EC 01/28/90			

C 881545

DO NOT SCALE
DIMENSIONS IN mm.

METRIC



△		2-	- 8
△		2-	- 7
△		2-	- 6
△		2-	881545 - 5
△		1-	- 8
△		1-	- 7
△		1-	- 6
△		1-	- 5
△		1-	- 4
△		1-	- 3
△		1-	- 2
△		1-	881545 - 1

OTHER TREATMENT	FINISH	MATERIAL	PART NUMBER
CUSTOMER DWG for REFERENCE ONLY			
THIS DRAWING IS UNPUBLISHED. RELEASED FOR PUBLICATION BY AMP OF BRASIL, LTD. ALL INTERNATIONAL RIGHTS RESERVED. AMP PRODUCTS ARE COVERED BY U.S. PATENTS AND PATENTS IN OTHER COUNTRIES.			
TOLERANCES UNLESS OTHERWISE STATED			
DEC. SIZE	ANGLES ± 1°	FIN. DIM.	SCALE
DR	AMP	São Paulo, Brasil	AMP do BRASIL LTDA.
CHK.	AMP	DESCRIPTION	AMP SHUNT
APP.	AMP	LOW PROFILE CONNECTOR ASSY	
REV	AMP	REV NO.	A2
REVISION RECORD	DR	CHK	DATE
			20/11/88
			20/11/88

A2 C 881545 SHEET 2 of 2