

4

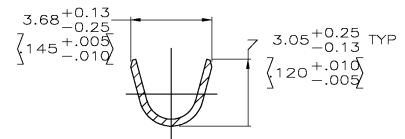
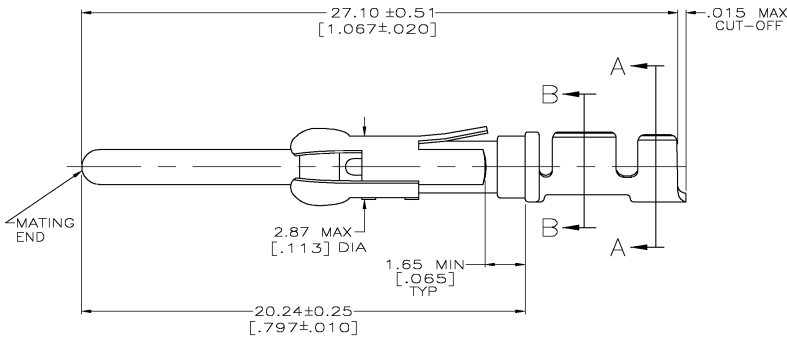
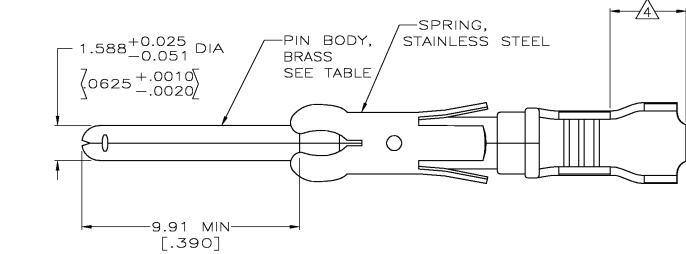
3

2

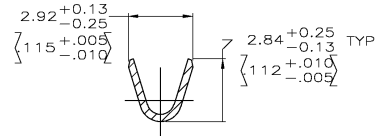
1

THIS DRAWING IS UNPUBLISHED. RELEASES FOR PUBLICATION
 © COPYRIGHT BY TYCO ELECTRONICS CORPORATION. ALL RIGHTS RESERVED.

LOC	DIST	REVISIONS					
FT	47	P	LTR	DESCRIPTION	DATE	OWN	APPD
		D		063B-0344-03	29APR03	TK	GS



SECTION A-A



SECTION B-B

- △ 0.76µm [.000030] MIN GOLD PER MIL-G-45204 ON MATING END FOR A LENGTH OF 5.08 [.200] MIN WITH GOLD FLASH ON THE REMAINDER, OVER 1.27µm [.000050] MIN NICKEL PER QQ-N-290.
- △ 0.76µm [.000030] MIN GOLD PER MIL-G-45204 IN MATING END FOR A LENGTH OF 5.08 [.200] MIN WITH A UNIFORM GRADIENT TO 0.25µm [.000010] MIN GOLD PER MIL-G-45204 ON THE REMAINDER, OVER 1.27µm [.000050] MIN NICKEL PER QQ-N-290.
- △ 0.38µm [.000015] MIN GOLD PER MIL-G-45204 ON MATING END FOR A LENGTH OF 5.08 [.200] MIN WITH GOLD FLASH ON THE REMAINDER OVER 1.27µm [.000050] MIN NICKEL PER QQ-N-290. GOLD PLATING NOT REQUIRED IN THIS AREA.
- △ 1.27µm [.000050] MIN TIN-LEAD PER MIL-T-10727 OVER 1.27µm [.000050] MIN NICKEL PER QQ-N-290.
- 6. WIRE RANGE 18-16 AWG.
- 7. INSULATION RANGE 2.03[.080]-2.54[.100] DIA.
- △ 0.38µm [.000015] MIN GOLD PER MIL-G-45204 ON MATING END FOR A LENGTH OF 5.08 [.200] MIN, 1.27µm [.000050] MIN TIN-LEAD PER MIL-T-10727 ON OPPOSITE END FOR A LENGTH OF 5.69 [.224] MIN, BOTH OVER 1.27µm [.000050] MIN NICKEL PER QQ-N-290.
- △ 1.27µm [.000050] MIN TIN PER MIL-T-10727 OVER 1.27µm [.000050] MIN NICKEL PER QQ-N-290.

SMALL PACK	△	1-66098-8	1-66099-6
STANDARD	△	1-66098-8	1-66099-5
SMALL PACK	△	66098-4	1-66099-4
SMALL PACK	△	66098-3	1-66099-3
SMALL PACK	△	66098-2	1-66099-2
SMALL PACK	△	66098-1	1-66099-1
OBSOLETE	△	1-66098-6	1-66099-0
STANDARD	△	66098-4	66099-4
STANDARD	△	66098-3	66099-3
STANDARD	△	66098-2	66099-2
STANDARD	△	66098-1	66099-1
PACKAGING TYPE	CONTACT FINISH	STRIP P/N	PART NO

THIS DRAWING IS A CONTROLLED DOCUMENT. DWN 02/29/92
 L. SIFF 6-11-92
 W. LENKER
 G. STEINHAUER
 DATE: 7-7-92
 NAME: Tyco Electronics Corporation, City, State, Zip
 TITLE: PIN ASSEMBLY, LOOSE PIECE, TYPE III+

DIMENSIONS:	TOLERANCES UNLESS OTHERWISE SPECIFIED:	APPROVALS:	DATE:	QTY:	REV:	RESTRICTED TO:
INCHES						
0 PL	± .005					
1 PL	± .005					
2 PL	± .005					
3 PL	± .005					
4 PL	± .005					
ANGLES	± .005					
MATERIAL:	FINISH:	WEIGHT:	SIZE:	QTY:	DATE:	REV:
SEE CALLOUTS	SEE CALLOUTS		A2	00779	66099	
		CUSTOMER DRAWING	SCALE:	8:1	SHEET:	1 OF 1

AMP 1471-9 REV 31MAR2000

J:\Tns_EC_dwg\

66099

A

D