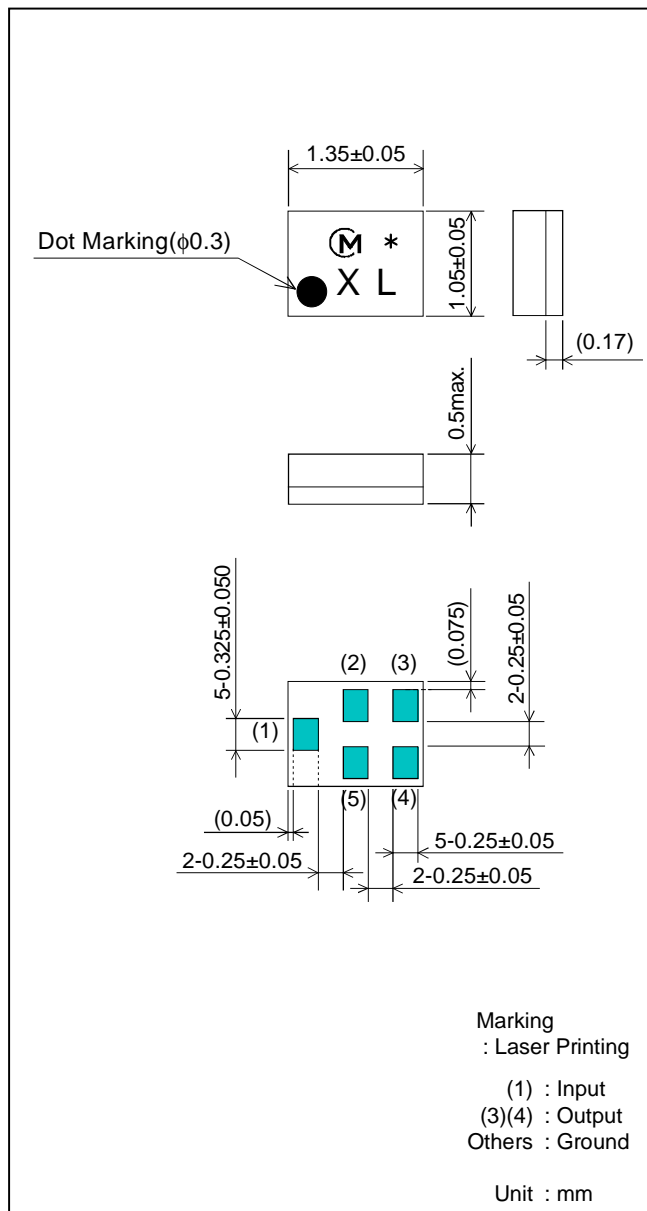


SAW FILTER FOR WiMAX (2.5G)

Murata part number : SAFEA2G56FA0F00

■ Package Dimensions



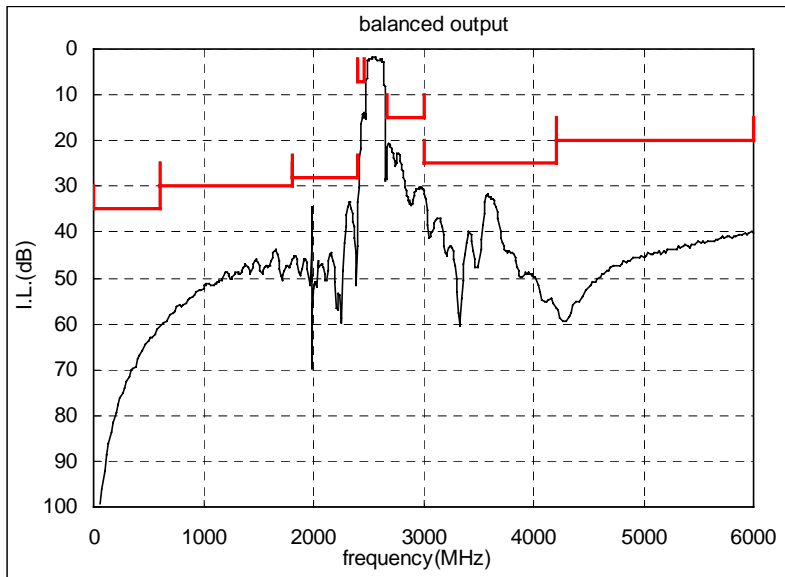
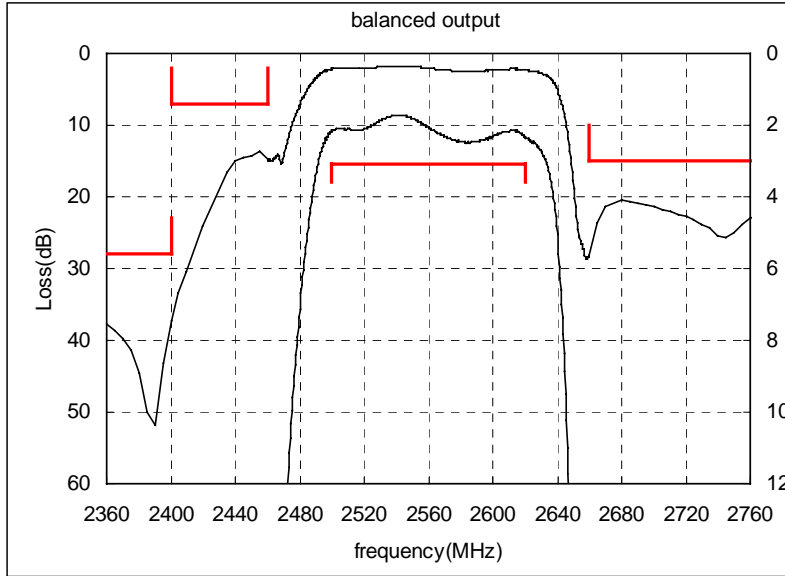
■ Specification

Item	Specification		
	-30 to 85°C	25±2°C	typ.
Nominal Center Frequency(f_c)	2560MHz		
Insertion Loss (2500 to 2620MHz)	3.1 dB max.	2.8dB max.	2.6 dB
Absolute Attenuation			
1) 0.3 to 600 MHz	35 dB min.	35 dB min.	58 dB
2) 600 to 1800 MHz	30 dB min.	30 dB min.	42 dB
3) 1800 to 2400 MHz	28 dB min.	28 dB min.	33 dB
4) 2400 to 2460 MHz	7 dB min.	10 dB min.	14 dB
5) 2660 to 3000 MHz	15 dB min.	17 dB min.	21 dB
6) 3000 to 4200 MHz	25 dB min.	25 dB min.	31 dB
7) 4200 to 6000 MHz	20 dB min.	20 dB min.	38 dB
Ripple Deviation (2500 to 2620MHz)	2.0dB max.	1.5dB max.	0.6 dB
VSWR (2500 to 2620MHz)	2.4 max.	2.3 max.	2.1
Amplitude Balance (2500 to 2620MHz)	±2.2dB max.	±2.0dB max.	-1.1dB
Phase Balance (2500 to 2620MHz)	180±12deg. max.	180±10deg. max.	180+5.7deg.
Input Impedance (nominal)	50Ω		
Output Impedance (nominal)	100Ω//10nH		
Input Signal Level	10mW (+10dBm), 8000 hours		

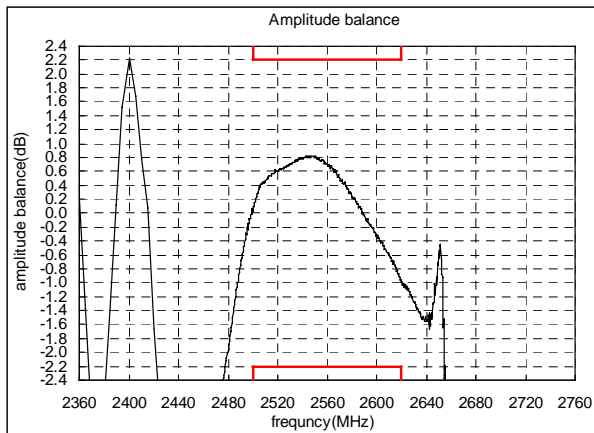
SAW FILTER FOR WiMAX (2.5G)

Murata part number : SAFEA2G56FA0F00

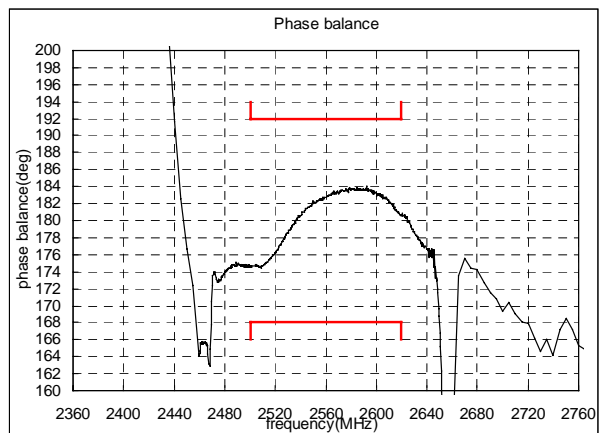
Frequency Performance



Amplitude balance



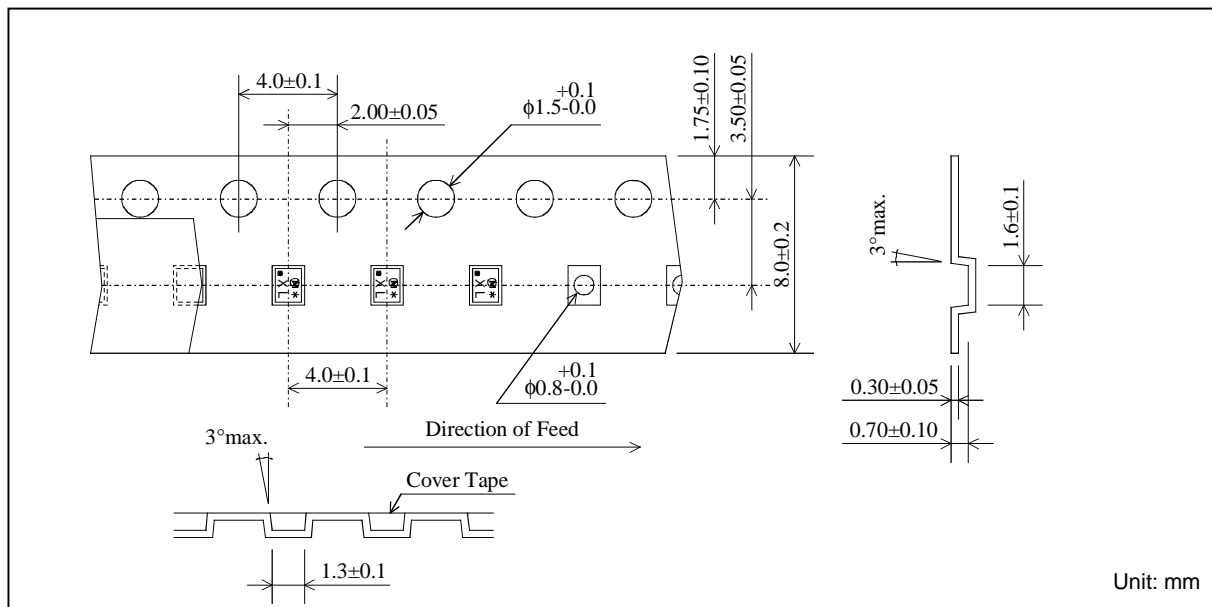
Phase balance



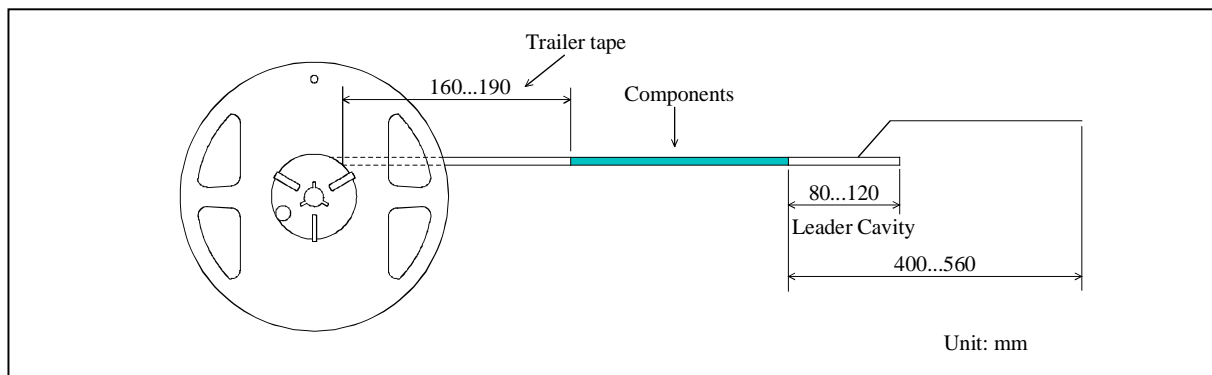
SAW FILTER FOR WiMAX (2.5G)

Murata part number : SAFEA2G56FA0F00

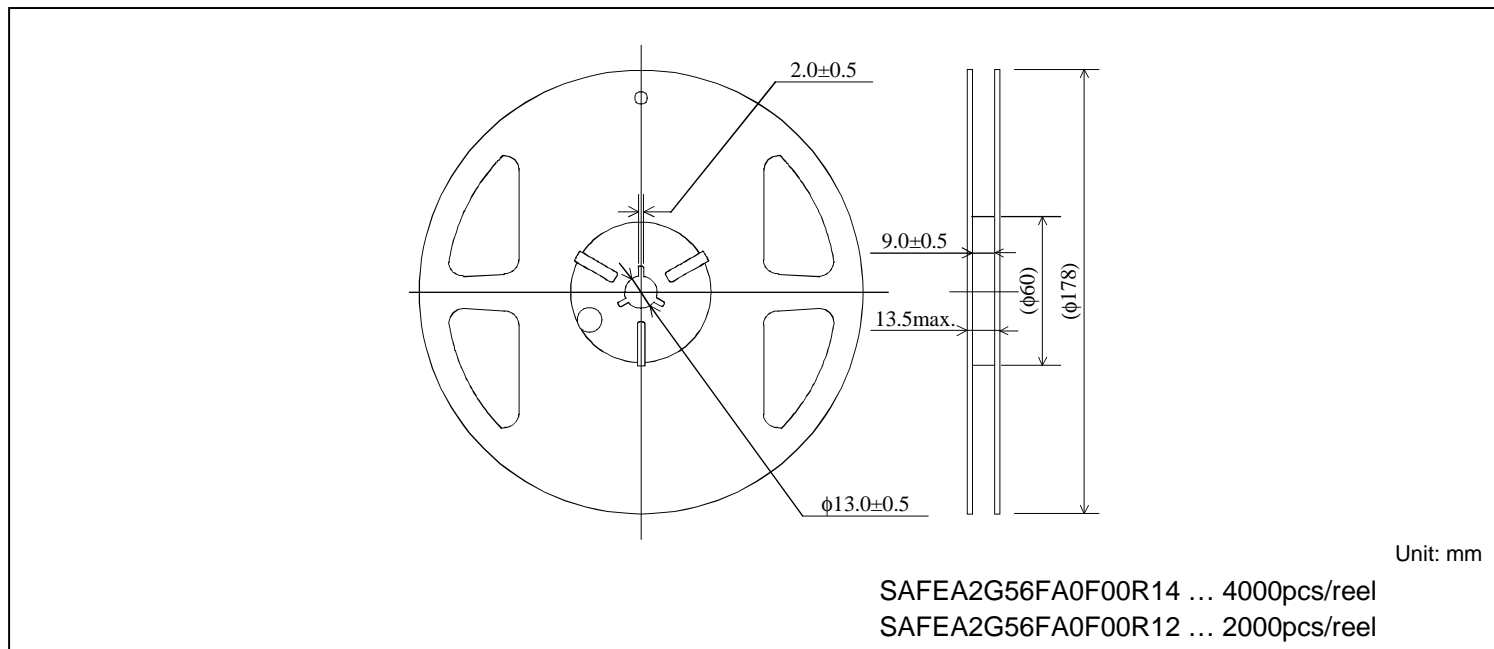
■ Dimensions of Carrier Tape



■ Dimensions of Tape



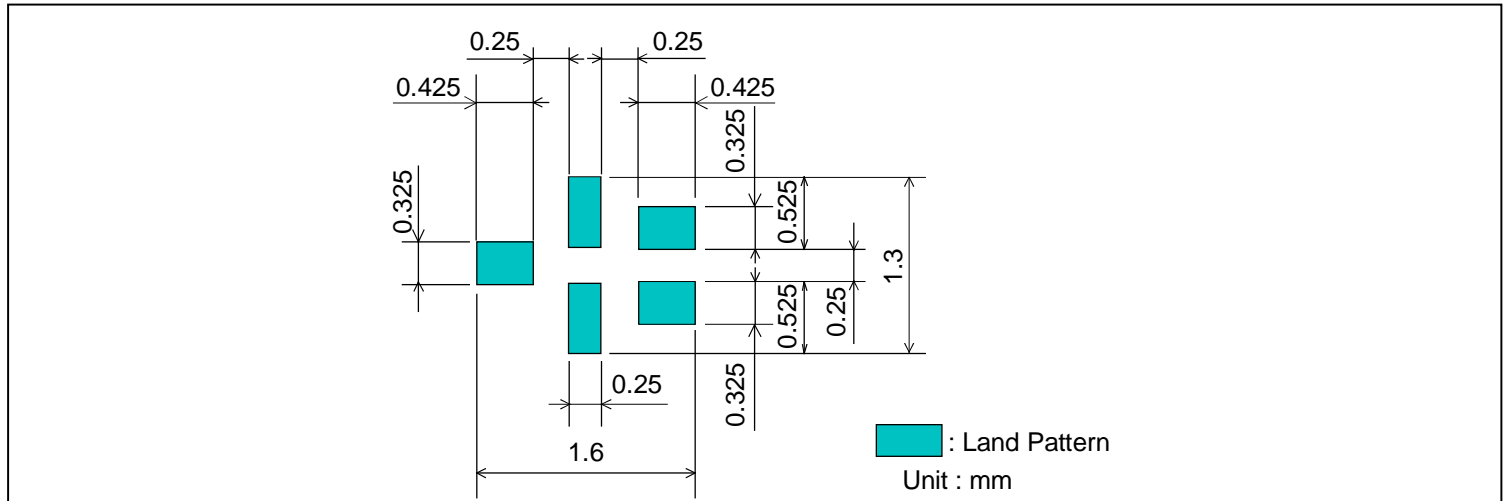
■ Dimensions of Reel



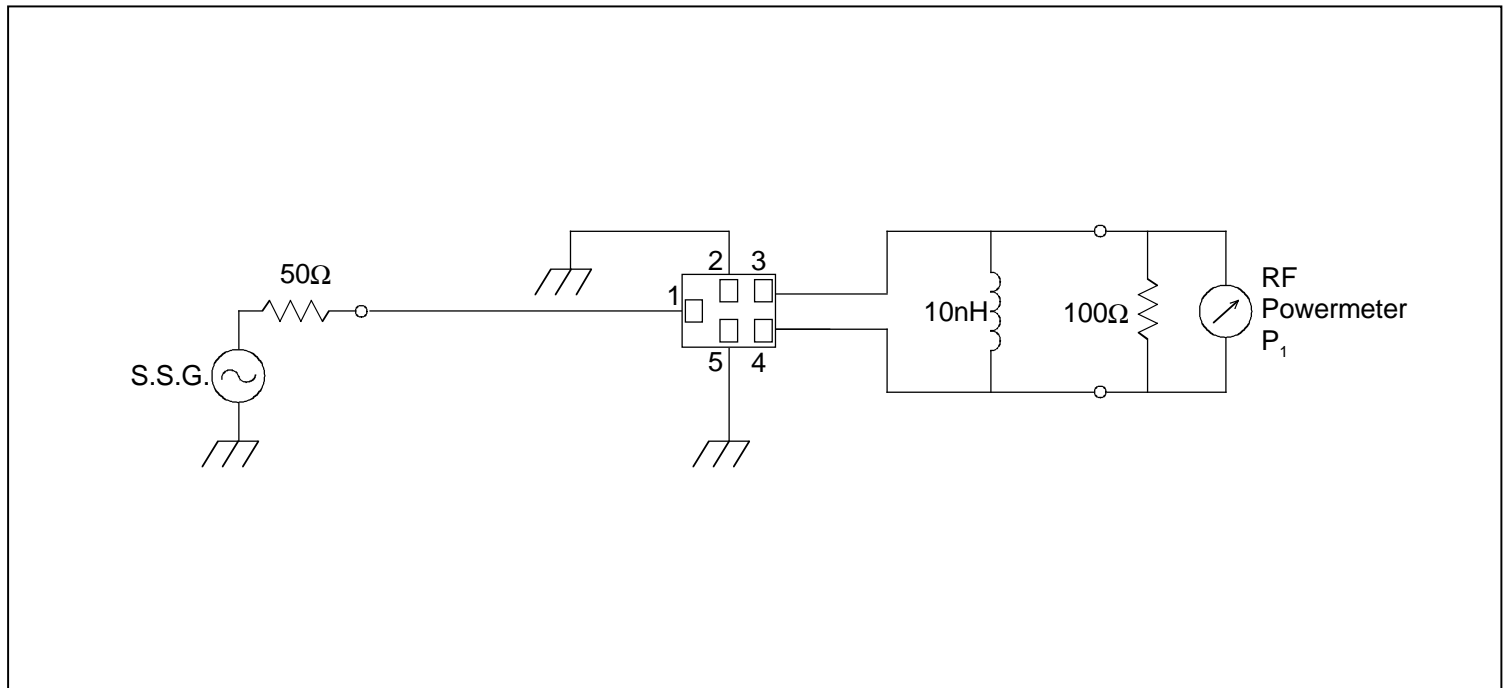
SAW FILTER FOR WiMAX (2.5G)

Murata part number : SAFEA2G56FA0F00

Recommended Land Pattern



Test Circuit



- This PDF Datasheet is downloaded from the website of Murata Manufacturing Co., Ltd. Therefore, it's specifications are subject to change or our products in it may be discontinued without advance notice. Please check with our sales representatives or product engineers before ordering.
- This PDF Datasheet has only typical specifications because there is no space for detailed specifications. Therefore, please approve our product specifications or transact the approval sheet for product specifications before ordering.